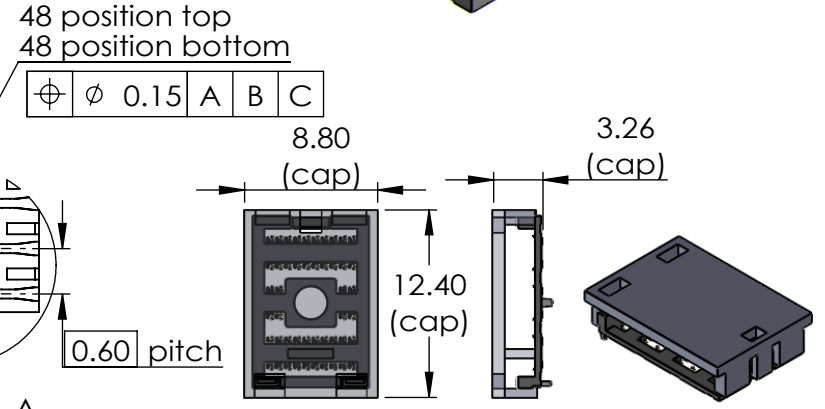
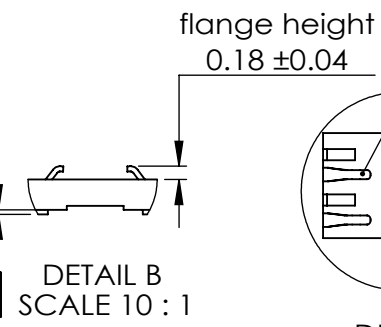
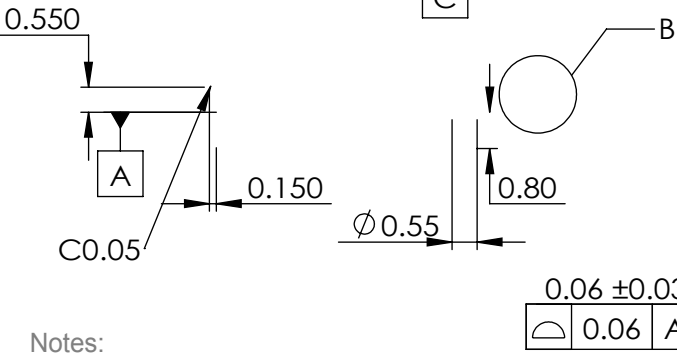
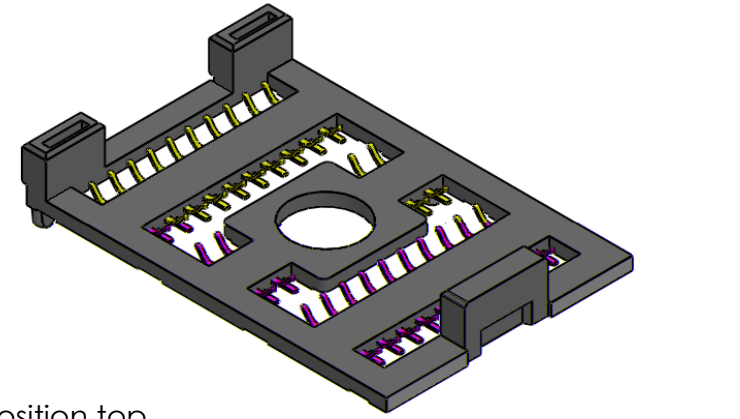


Revisions			
REV	ECN #	Description	Date
B	R20160002	Change the package from 1200pcs to 1000pcs	03/01-2016
C	R20160004	Change FPC pad dimensionsto center line & optimize metal stiffener dimensions	03/09-2016
D	R20160006	Increase housing height to 1.2 mm& revise connector size	03/29-2016
E	R20160007	Correct PCB footprint dimension, correct stiffener material from SUS301 to SUS304	04/06-2016



- Notes:
- Material:
 Contacts: High performance copper alloy.
 Housing: LCP resin, Glass fiber filled, UL94V-0 rated, black color.
 Plating: 5 u" min gold plated on contact tip, gold flash on soldertail area, 70 ± 30 u" nickel underplated.
 - This product compliants with European Union directives of RoHS requirements.
 - The product can withstand exposure peak temperature 260C for 10 sec in SMT soldering process.
 - Recommended stencil thickness no thinner than 0.1mm, solder past opening no less than pad size.

Connector with cap

DIMENSIONS ARE IN mm
 TOLERANCES (unless otherwise specified):

ANGULAR: ± 2 degree
 LINEAR: .X ± 0.15
 .XX ± 0.08
 .XXX ± 0.04

	NAME	DATE
DRAWN	Jason Wu	11/30-2015
CHECKED	Gary Hsieh	11/30-2015
Appr	Gary Hsieh	11/30-2015
Release level	Production	
COMMENTS:	DO NOT SCALE DRAWING	

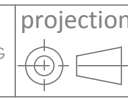
聯能科技 Unimicron Group

Title:
 48 pos X-Beam interposer (0.6 mm pitch, M2.0 screw)-with post

Neoconix P/N: XBM-D048C
 DWG. NO. XBGCB5009

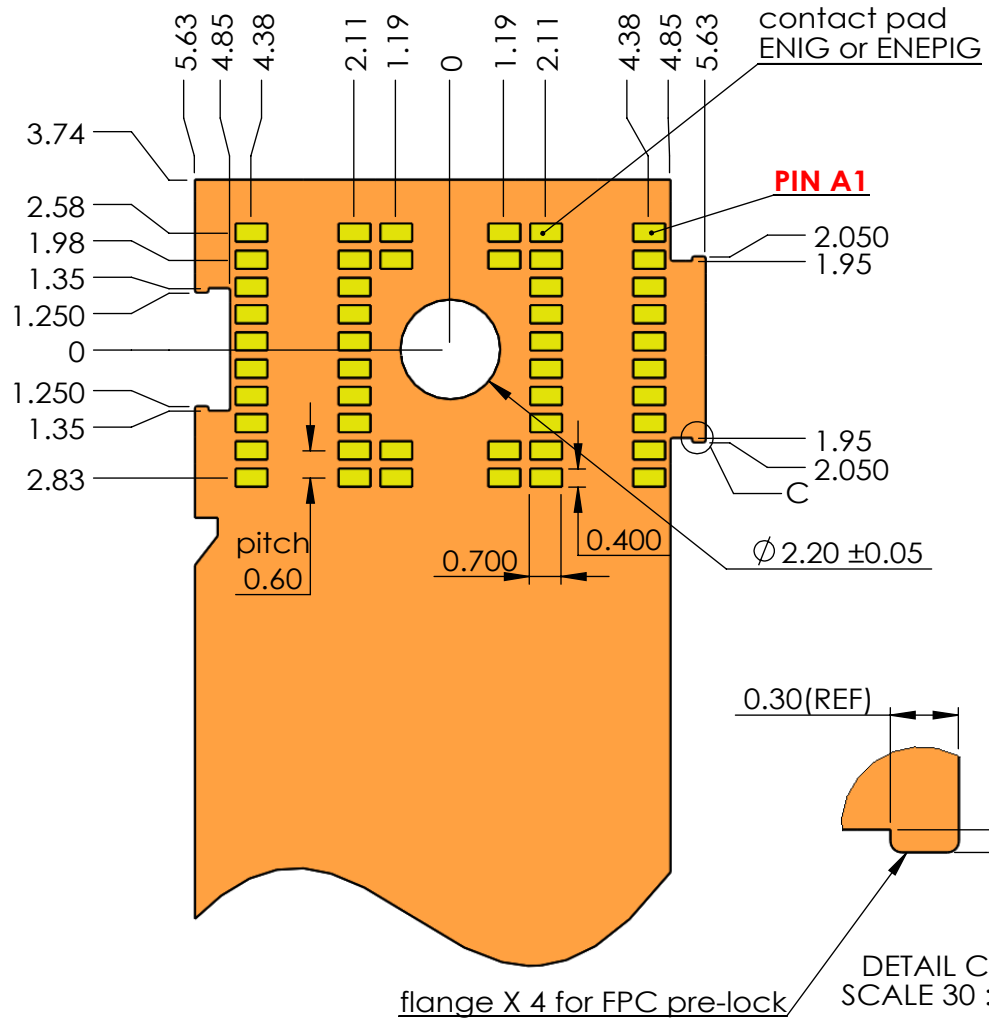
SCALE:5:1 WEIGHT: SHEET 1 OF 6

MATERIAL	See note 1
FINISH	gold



projection
 SIZE **A**

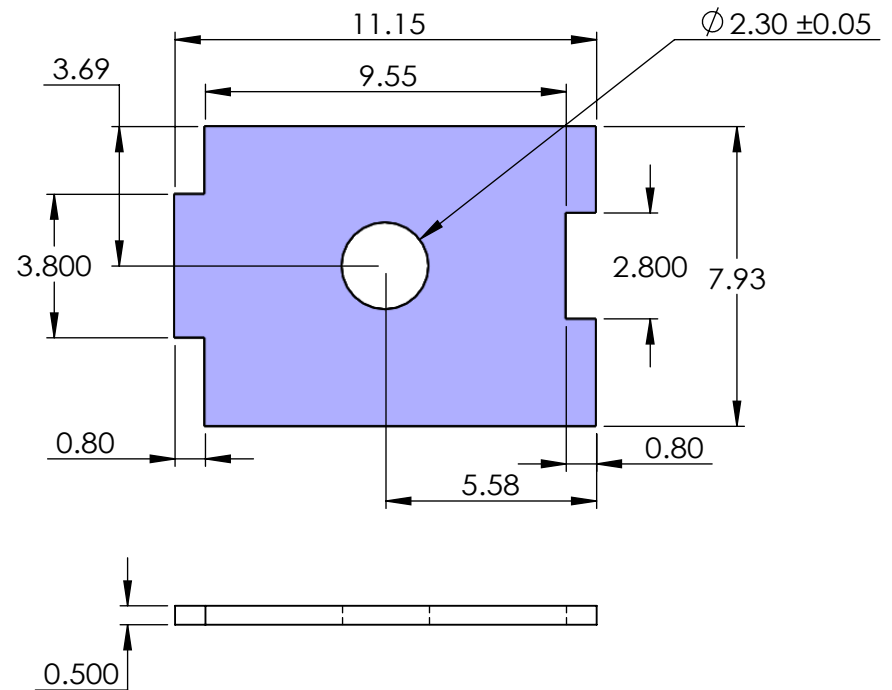
REV. E



Recommend FPC footprint

Note:

1. The stiffener is to align with connector housing when final assembly.
2. The alignment tolerance for FPC & stiffener is ± 0.075 mm. (based on center of screw holes)



Material: SUS304

Recommend FPC stiffener

DIMENSIONS ARE IN mm
TOLERANCES (unless otherwise specified):

ANGULAR: ± 2 degree
LINEAR: .X ± 0.15
.XX ± 0.08
.XXX ± 0.04

聯能科技 Unimicron Group

Title:
48 pos X-Beam interposer (0.6 mm pitch, M2.0 screw)-with post

SIZE

A

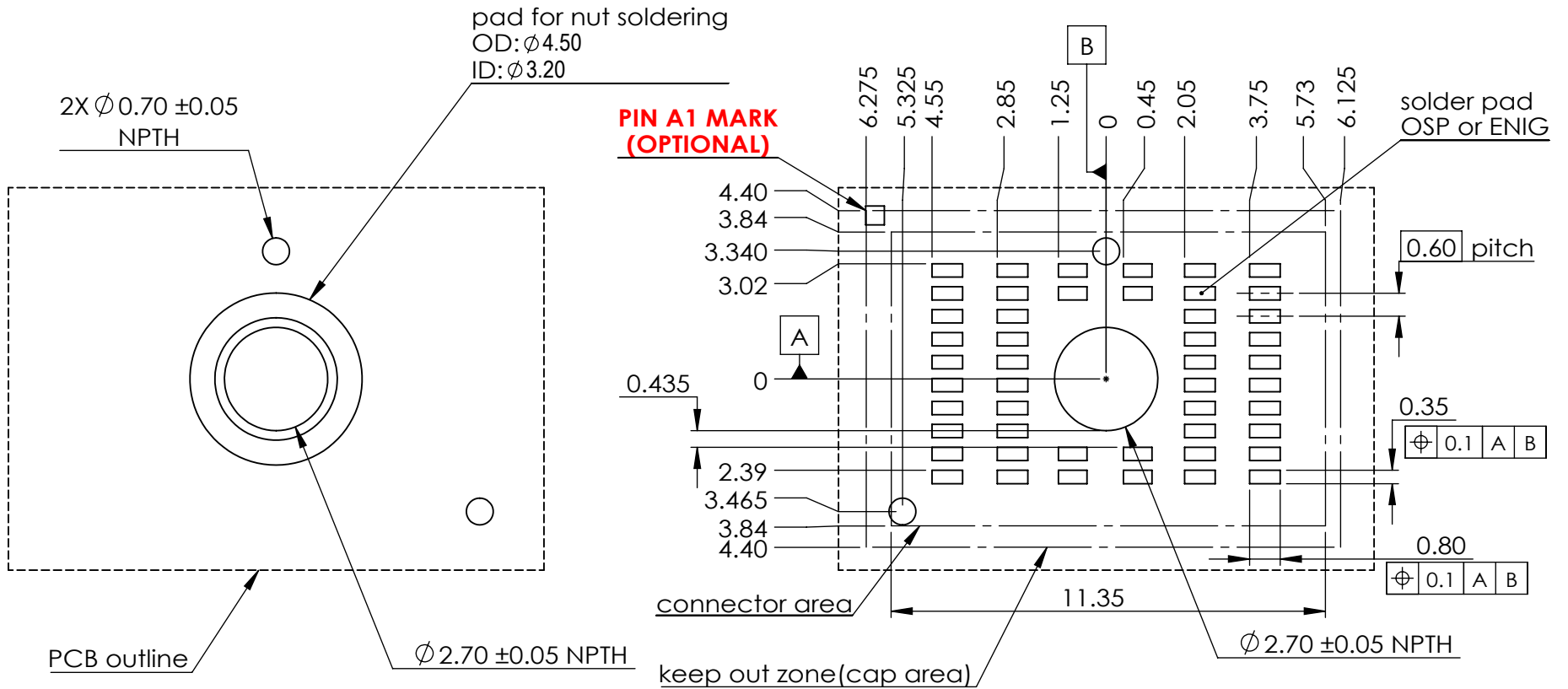
Neoconix P/N: XBM-D048C
DWG. NO. XBGCB5009

REV.
E

SCALE:5:1

WEIGHT:

SHEET 2 OF 6

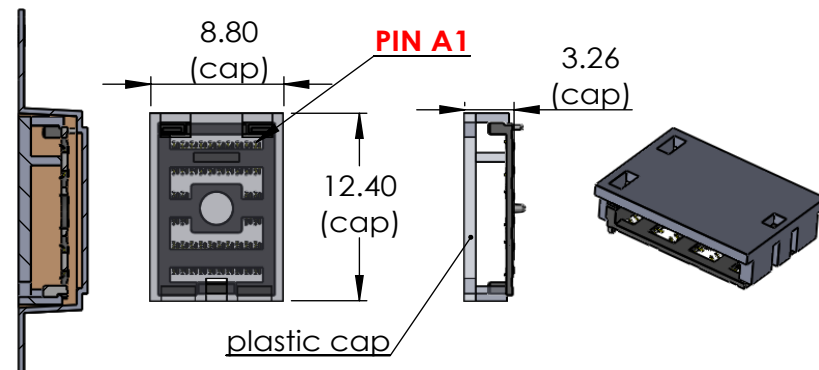
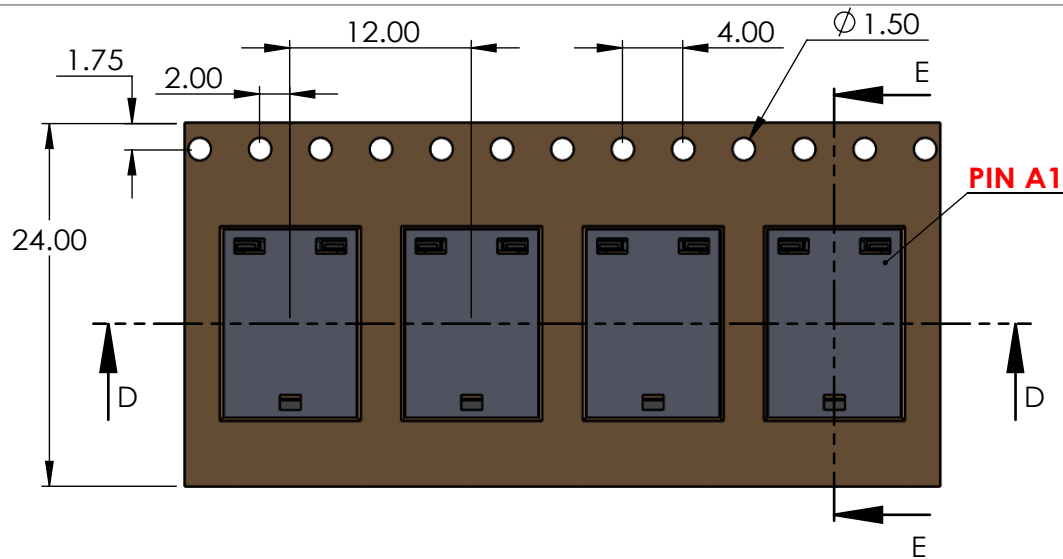


Back side

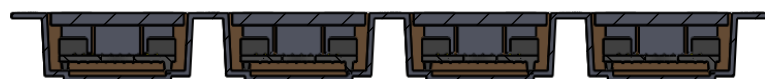
Front side

Recommend PCB footprint

DIMENSIONS ARE IN mm TOLERANCES (unless otherwise specified): ANGULAR: ± 2 degree LINEAR: .X ±0.15 .XX ±0.08 .XXX ±0.04		聯能科技 Unimicron Group Title: 48 pos X-Beam interposer (0.6 mm pitch, M2.0 screw)-with post	
SIZE A	Neoconix P/N: XBM-D048C DWG. NO. XBGCB5009	REV. E	SHEET 3 OF 6
SCALE:5:1	WEIGHT:	SHEET 3 OF 6	

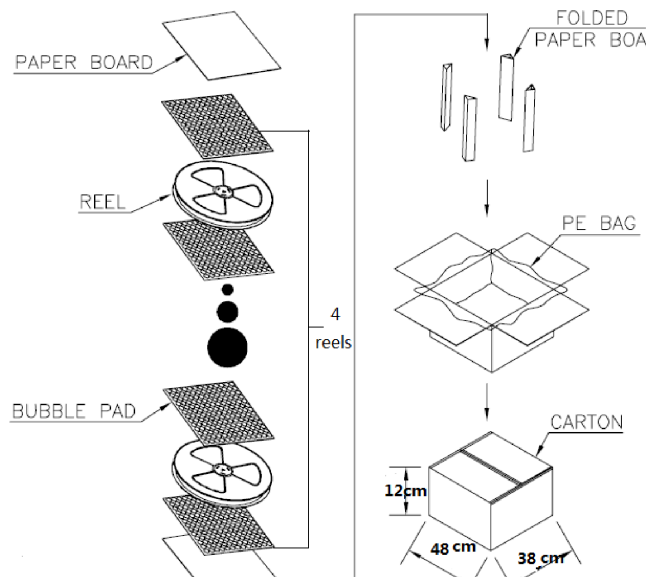


Connector with cap



SECTION D-D
SCALE 2 : 1

Tape & reel



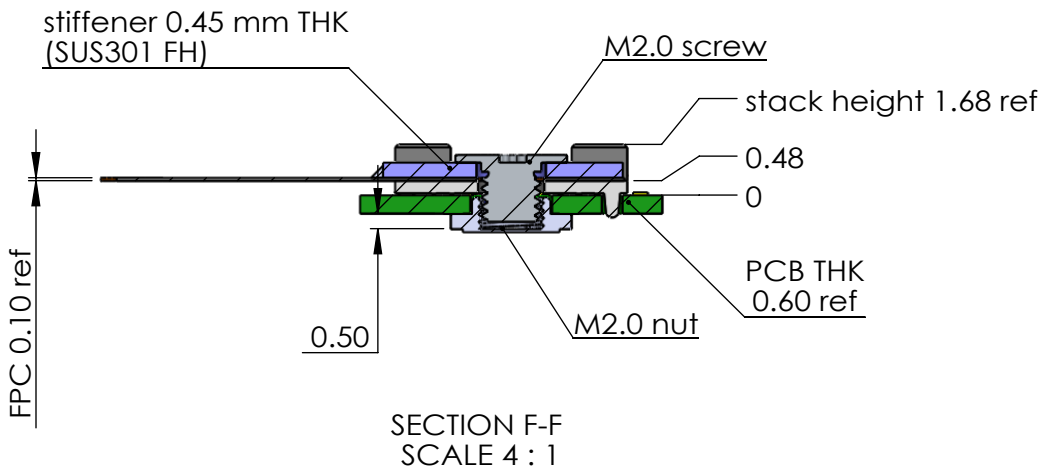
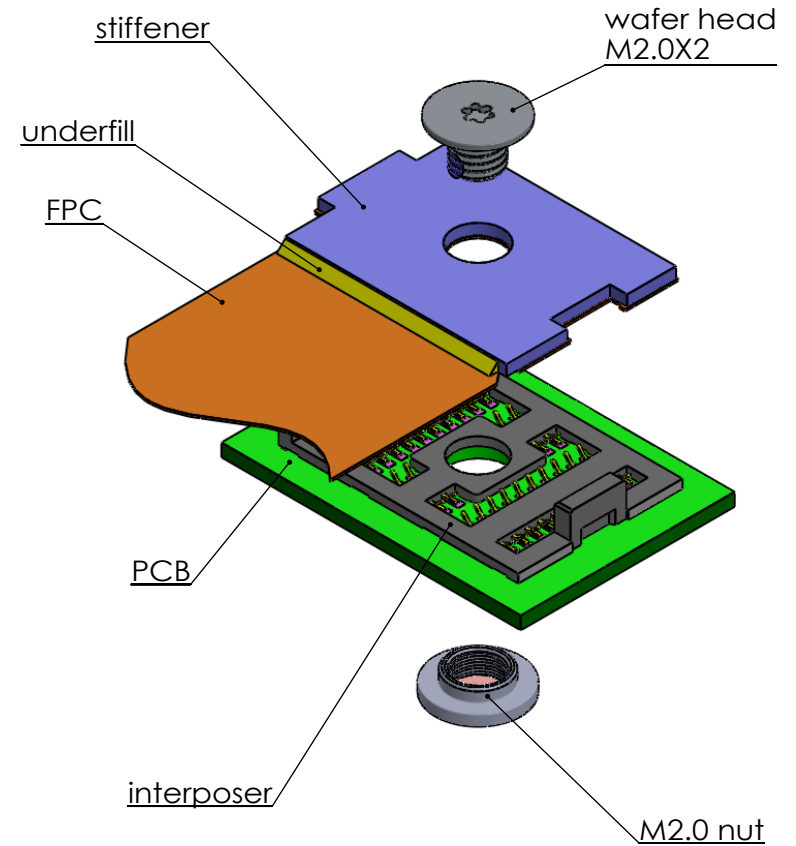
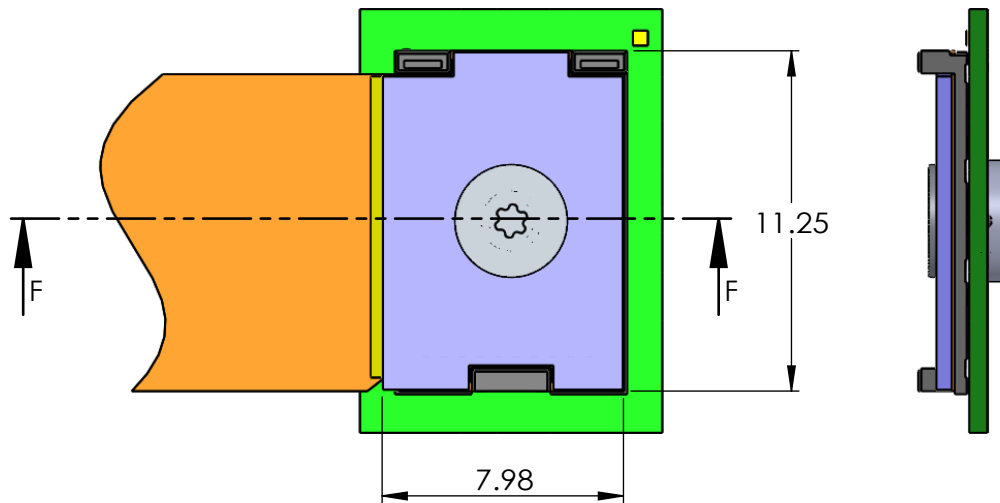
Package

1. 10 sprocket hole pitch cumulative tolerance ± 0.20 .
2. Carrier camber is within 1 mm in 250 mm.
3. Material : Transparent Polystyrene(PS).
4. All dimensions meet EIA-481-D requirements.
5. Thickness : 0.30 ± 0.05 mm.
6. Packing length per 13" reel : 15.5 Meters.(RUR-24-3-XL)
7. Component load per 13" reel : 1000 pcs, 4 reel/carton (48cm*38cm*12cm),total 4000 pcs/carton.

聯能科技 Unimicron Group

Title:
48 pos X-Beam interposer (0.6 mm pitch, M2.0 screw)-with post

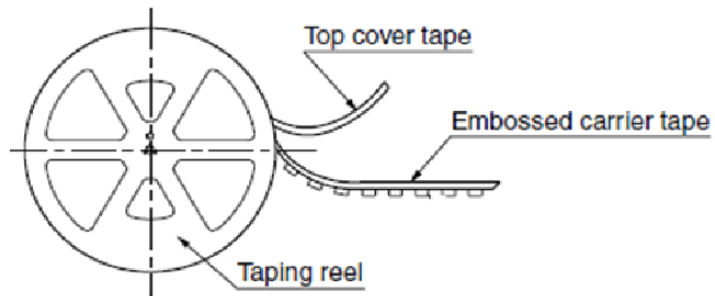
SIZE	A	Neoconix P/N: XBM-D048C PART. NO. XBGC5009	REV. E
SCALE:	5:1	WEIGHT:	SHEET 4 OF 6



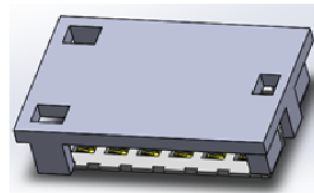
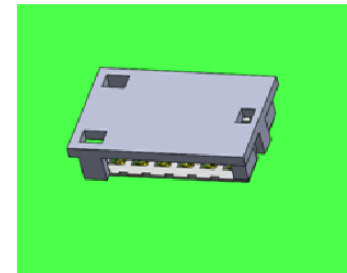
聯能科技 Unimicron Group

Title:
48 pos X-Beam interposer (0.6 mm pitch, M2.0 screw)-with post

SIZE	A	Neoconix P/N: XBM-D048C DWG. NO. XBGC5009	REV. E
SCALE:5:1		WEIGHT:	SHEET 5 OF 6

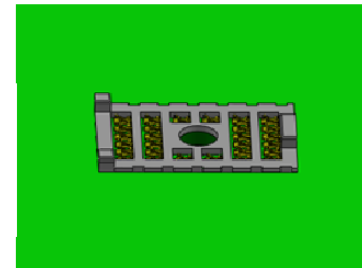


SMT

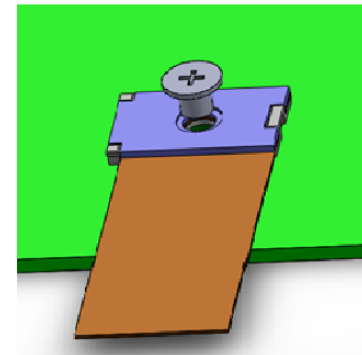


Connector with cap

Remove cap
before FPC
assy



Place FPC &
screw lock



- Tape & reel or tray package for auto-SMT process on board.

package and assembly process

聯能科技 Unimicron Group

Title:
48 pos X-Beam interposer (0.6
mm pitch, M2.0 screw)-with post

SIZE	A	Neoconix P/N: XBM-D048C DWG. NO. XBGCB5009	REV. E
SCALE:5:1		WEIGHT:	SHEET 6 OF 6