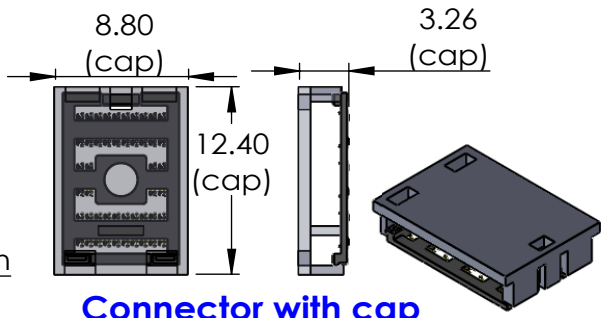
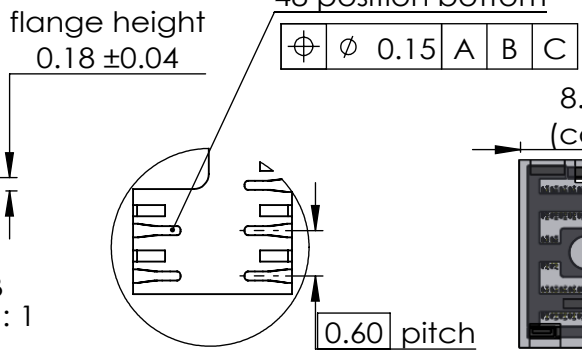
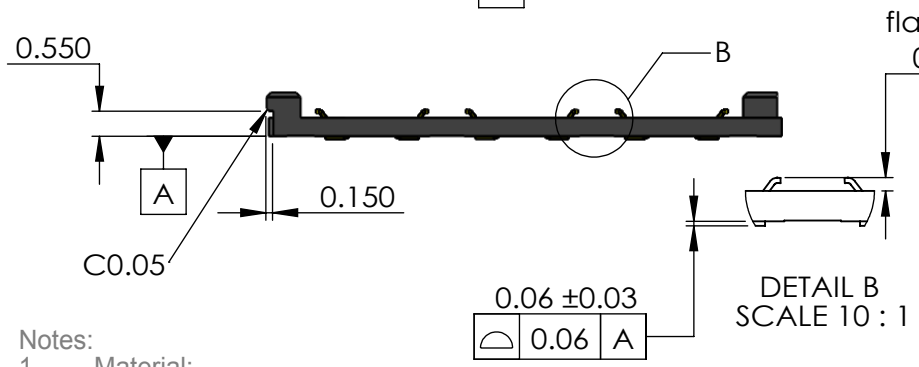
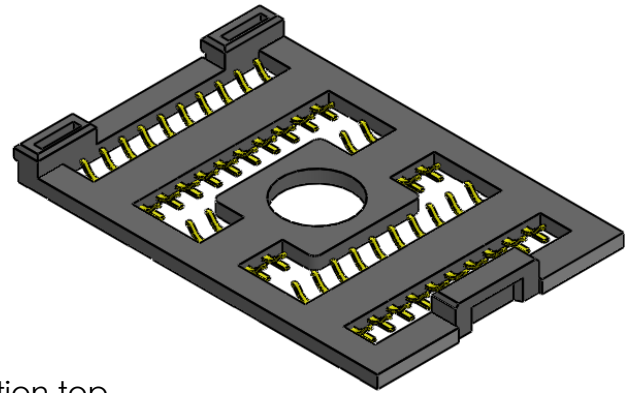
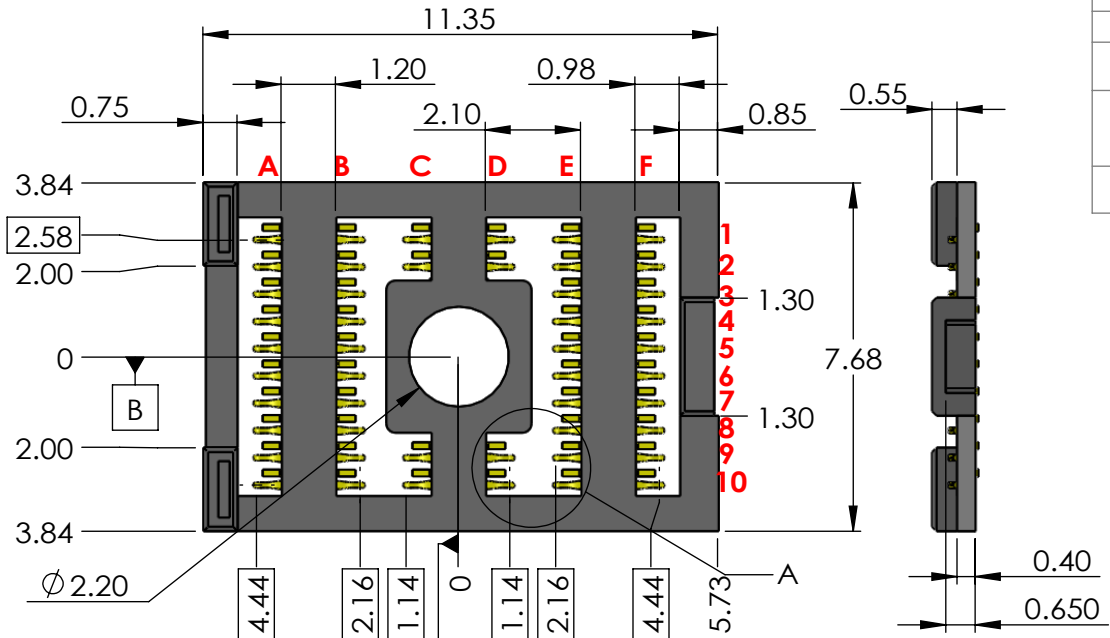


Revisions

| REV | ECN # | Description | Date |
|-----|-----------|--|------------|
| J | R20150011 | Increase recommend PCB pad size & solder tail height for better solderability | 12/23-2015 |
| K | R20160020 | Modify housing, stiffener, FPC pad and PCB pad dimension; Change component load per 13" reel from 1200 pcs to 1000 | 06/24-2016 |
| L | R20170011 | Revise PCB pad positions & size | 10/25-2017 |



Connector with cap

NCX P/N: XBM-D048A

- Notes:
- Material:
 Contacts: High performance copper alloy.
 Housing: LCP resin, Glass fiber filled, UL94V-0 rated, black color.
 Plating: 5 u" min gold plated on contact tip, gold flash on soldertail area, 70 ± 30 u" nickel underplated.
 - This product compliants with European Union directives of RoHS requirements.
 - The product can withstand exposure peak temperature 260C for 10 sec in SMT soldering process.
 - Recommended stencil thickness no thinner than 0.1mm, solder past opening no less than recommend pad size.

DIMENSIONS ARE IN mm
TOLERANCES (unless otherwise specified):

ANGULAR: ± 2 degree
 LINEAR: .X ± 0.15
 .XX ± 0.08
 .XXX ± 0.04

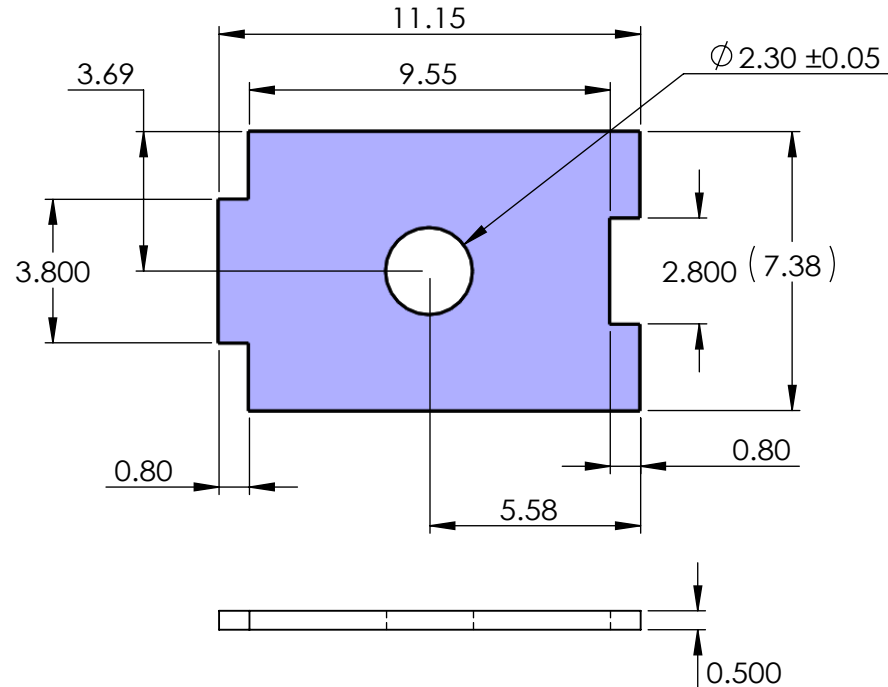
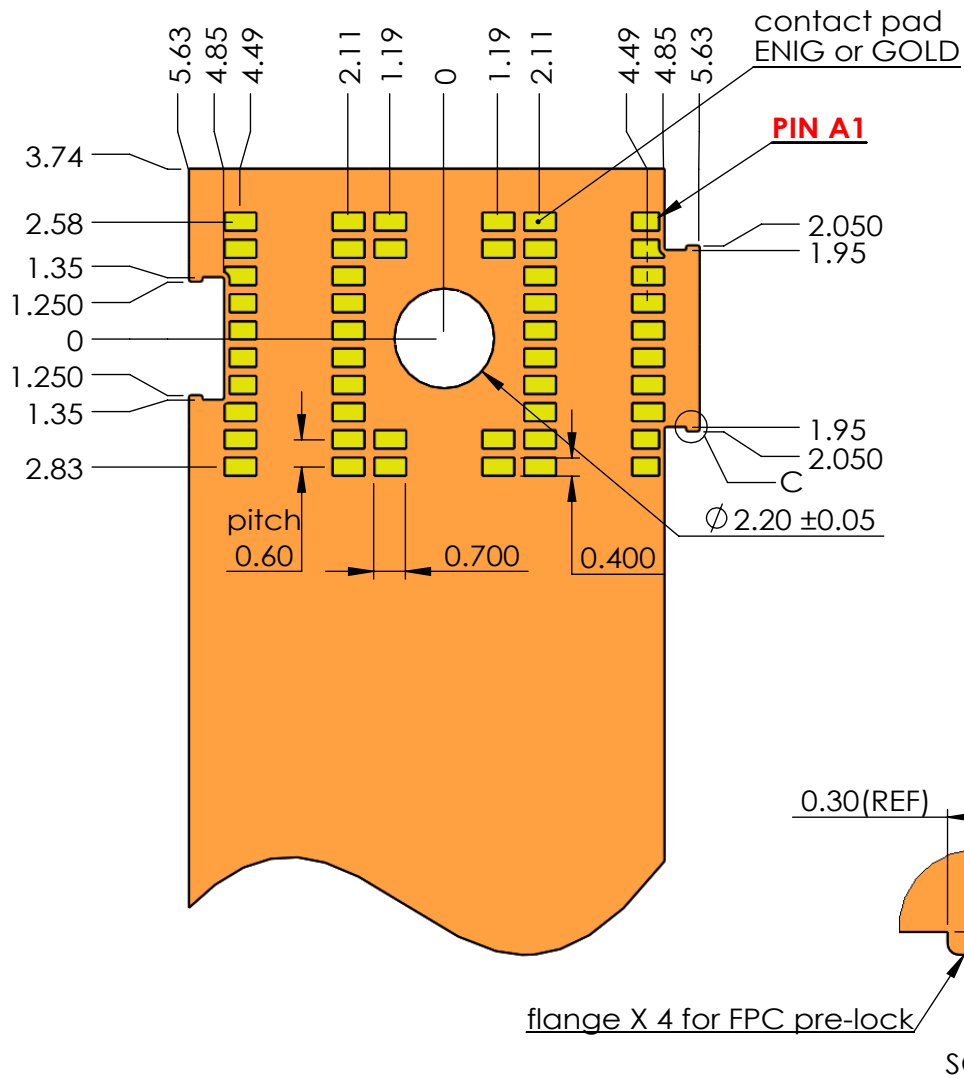
| | |
|----------|------------|
| MATERIAL | See note 1 |
| FINISH | gold |

| | NAME | DATE |
|---------------|----------------------|------------|
| DRAWN | Jason Wu | 10/25-2017 |
| CHECKED | Gary Hsieh | 10/25-2017 |
| Appr | Gary Hsieh | 10/25-2017 |
| Release level | Production | |
| COMMENTS: | DO NOT SCALE DRAWING | |

聯能科技 Unimicron Group

Title:
48 pos X-Beam interposer
(0.6 mm pitch, M2.0 screw)

| | | | |
|------------|---------|-------------------|--------|
| projection | SIZE A | DWG. NO. XBGC5007 | REV. L |
| SCALE:5:1 | WEIGHT: | SHEET 1 OF 6 | |



Material: SUS301FH or SUS304

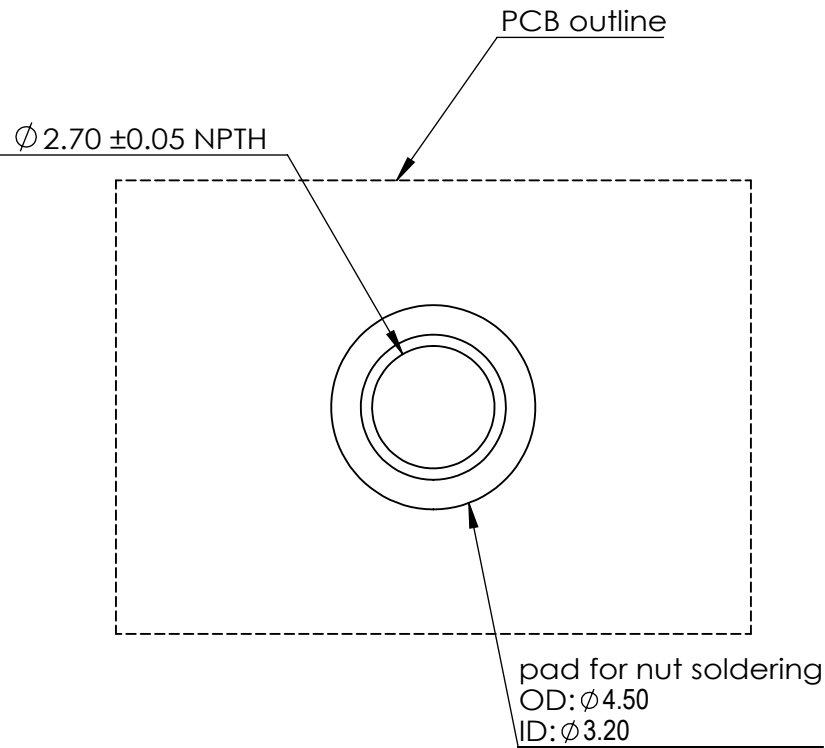
Recommend FPC stiffener

Recommend FPC footprint

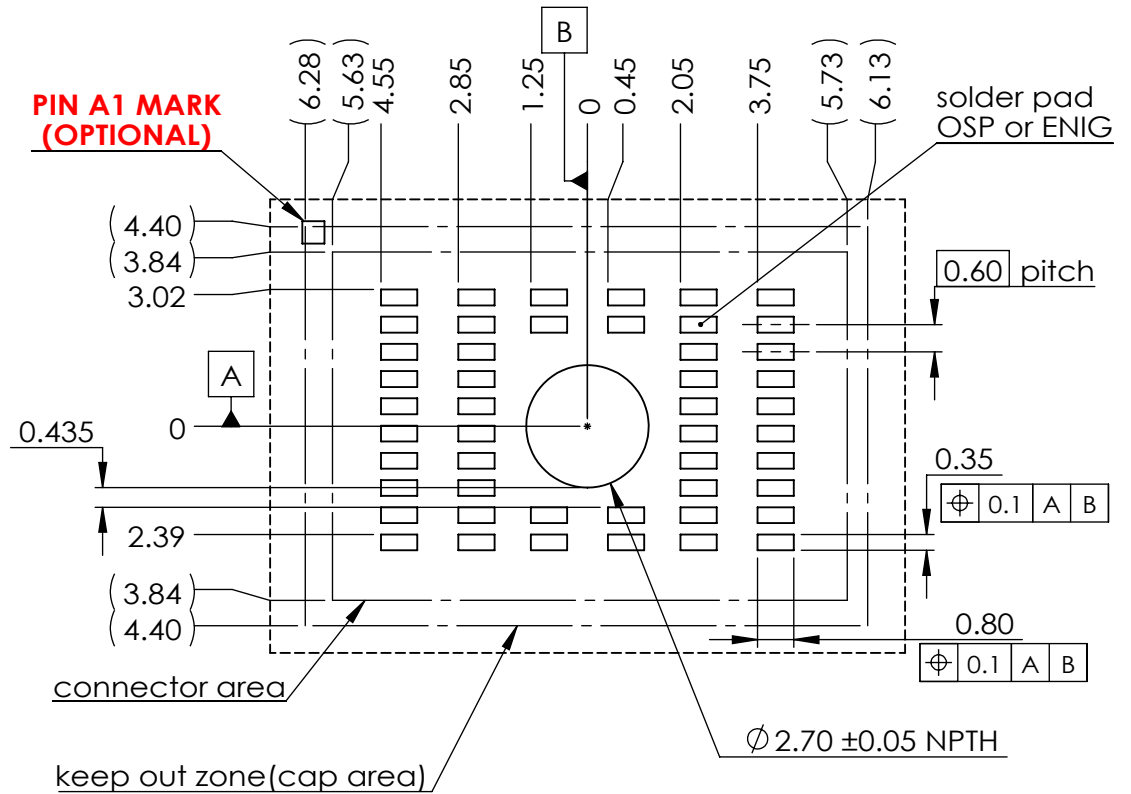
- Note:
1. The stiffener is to align with connector housing when final assembly.
 2. The alignment tolerance for FPC & stiffener is ± 0.075 mm.
Based on left notch (1.250+1.250)&right protrusion (2.050+2.050) feature.
 3. Solder mask opening min: 0.50 x 0.80 mm min.

NCX P/N: XBM-D048A

| | | | |
|--|---------|----------------------------|--------|
| DIMENSIONS ARE IN mm TOLERANCES (unless otherwise specified): | | 聯能科技 Unimicron Group | |
| ANGULAR: ± 2 degree | | Title: | |
| LINEAR: .X ± 0.15 | | 48 pos X-Beam interposer | |
| .XX ± 0.08 | | (0.6 mm pitch, M2.0 screw) | |
| .XXX ± 0.04 | | SIZE A | REV. L |
| | | DWG. NO. XBGCB5007 | |
| SCALE:5:1 | WEIGHT: | SHEET 2 OF 6 | |



Back side

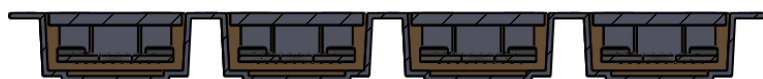
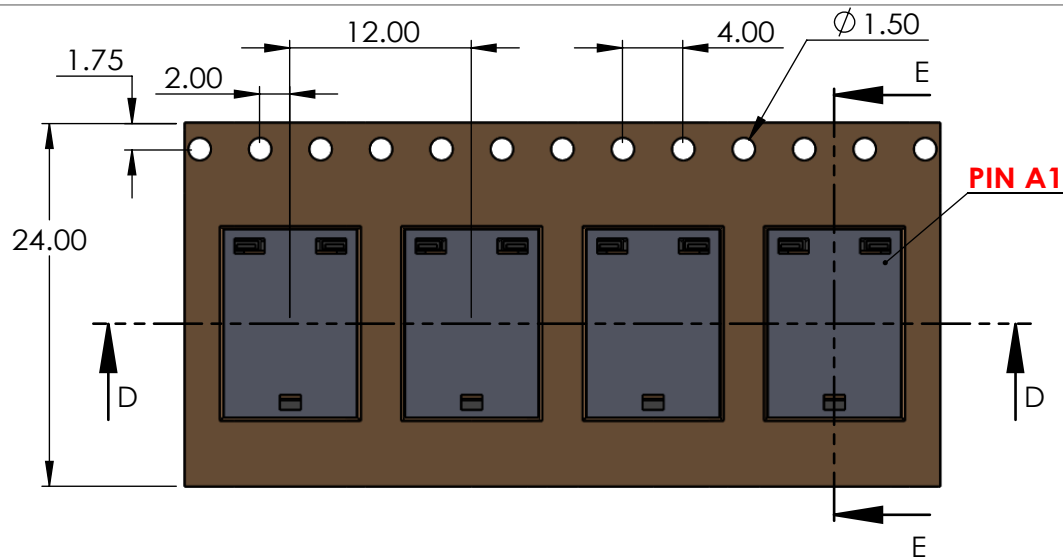


Front side

Recommend PCB footprint

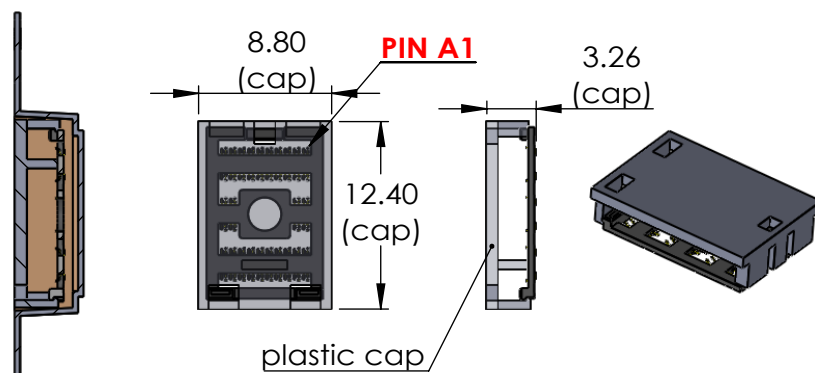
NCX P/N: XBM-D048A

| | | | |
|---|----------|---|-----------|
| DIMENSIONS ARE IN mm TOLERANCES (unless otherwise specified): ANGULAR: ± 2 degree LINEAR: .X ± 0.15 .XX ± 0.08 .XXX ± 0.04 | | 聯能科技 Unimicron Group Title: 48 pos X-Beam interposer (0.6 mm pitch, M2.0 screw) | |
| SIZE | A | DWG. NO. | XBGCB5007 |
| SCALE: | 5:1 | WEIGHT: | |
| | | SHEET 3 OF 6 | |

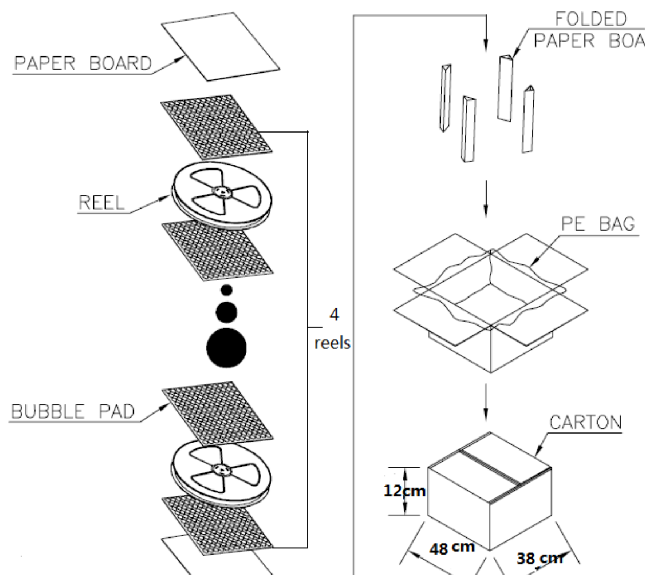


SECTION D-D
SCALE 2 : 1

Tape & reel



Connector with cap



Package

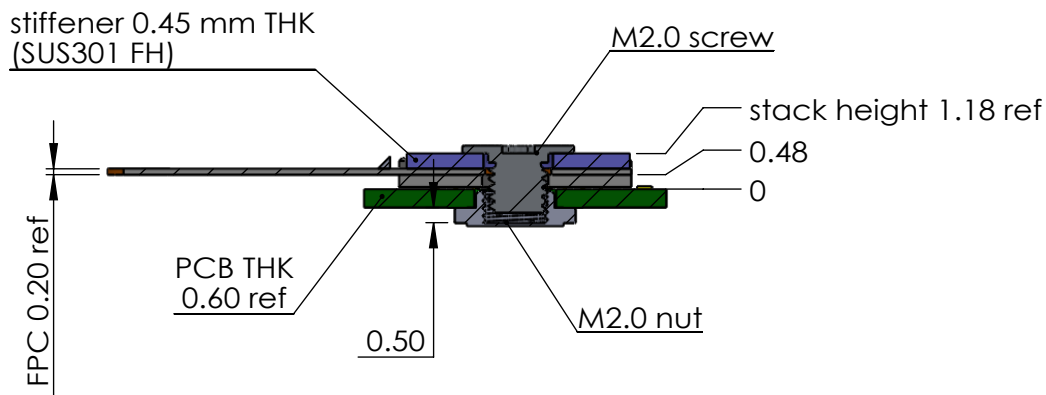
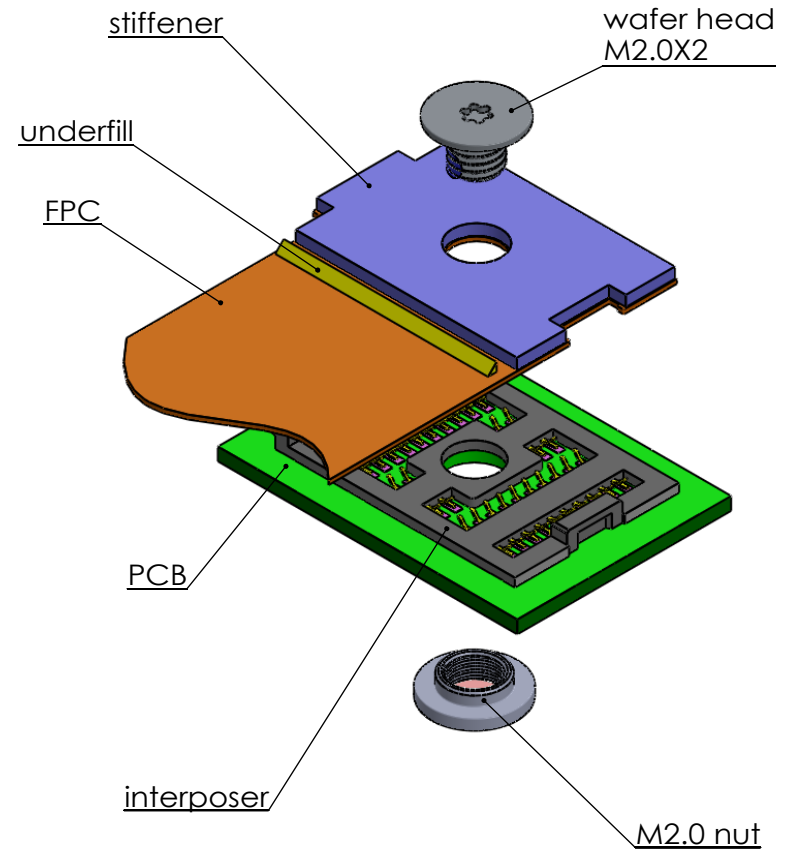
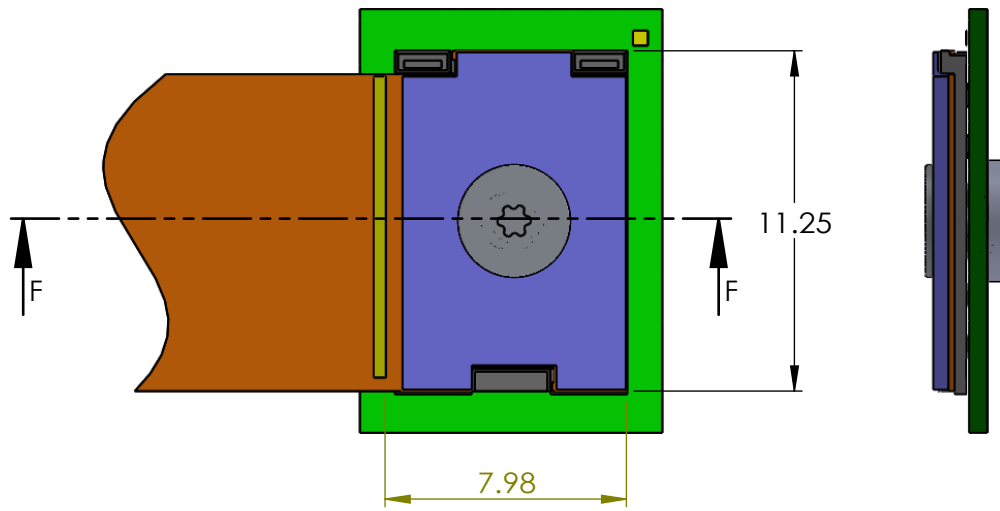
NCX P/N: XBM-D048A

1. 10 sprocket hole pitch cumulative tolerance ± 0.20 .
2. Carrier camber is within 1 mm in 250 mm.
3. Material : Transparent Polystyrene(PS).
4. All dimensions meet EIA-481-D requirements.
5. Thickness : 0.30 ± 0.05 mm.
6. Packing length per 13" reel : 15.5 Meters.(RUR-24-3-XL)
7. Component load per 13" reel : 1000 pcs, 4 reel/carton (48cm*38cm*12cm)

聯能科技 Unimicron Group

Title:
48 pos X-Beam interposer (0.6 mm pitch, M2.0 screw)-package

| | | | |
|-----------|---------|--------------------|-----------|
| SIZE | A | PART. NO. XBGC5007 | REV. L |
| SCALE:5:1 | WEIGHT: | SHEET 4 OF 6 | |



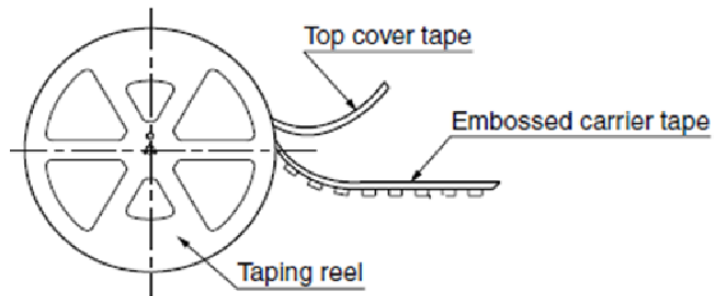
SECTION F-F
SCALE 4 : 1

NCX P/N: XBM-D048A

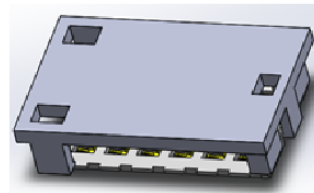
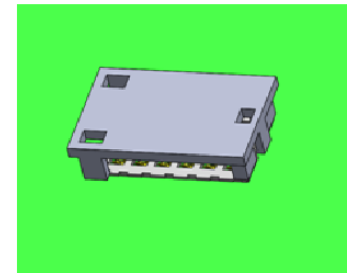
聯能科技 Unimicron Group

Title:
48 pos X-Beam interposer
(0.6 mm pitch, M2.0 screw)

| | | | |
|--------|----------|-------------------|--------------|
| SIZE | A | DWG. NO. XBGC5007 | REV. L |
| SCALE: | 5:1 | WEIGHT: | SHEET 5 OF 6 |

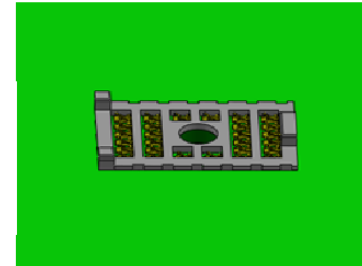


SMT

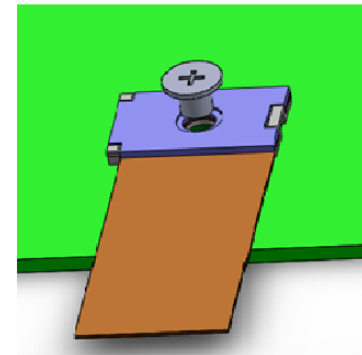


Connector with cap

Remove cap
before FPC
assy



Place FPC &
screw lock



- Tape & reel or tray package for auto-SMT process on board.

package and assembly process

NCX P/N: XBM-D048A

聯能科技 Unimicron Group

Title:
48 pos X-Beam interposer
(0.6 mm pitch, M2.0 screw)

| | | | |
|-----------|----------|--------------------|--------------|
| SIZE | A | DWG. NO. XBGCB5007 | REV. L |
| SCALE:5:1 | | WEIGHT: | SHEET 6 OF 6 |