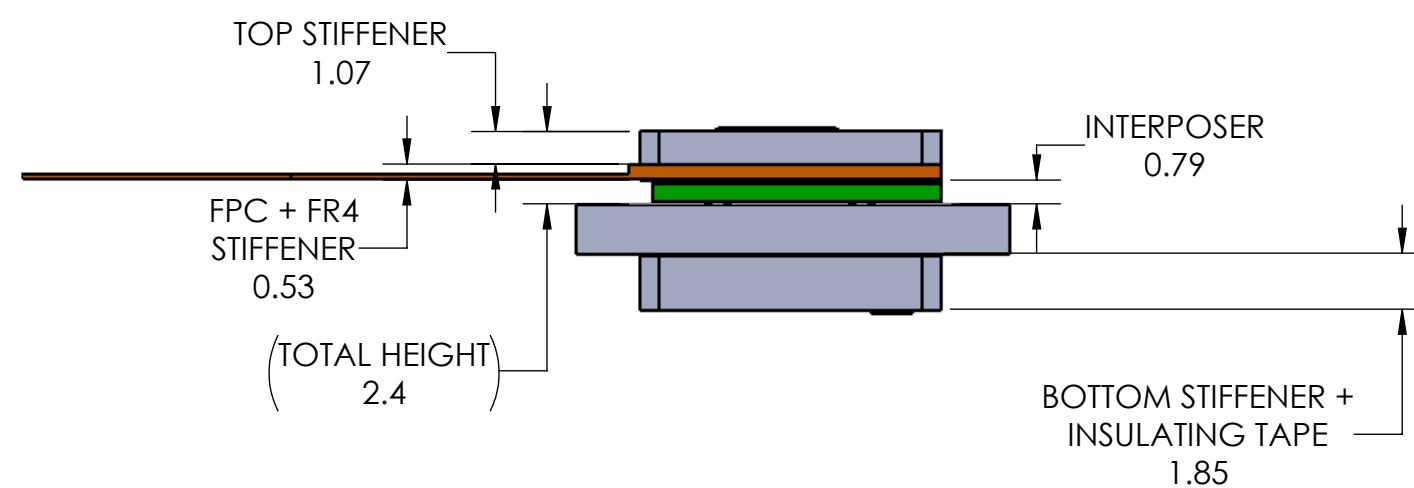
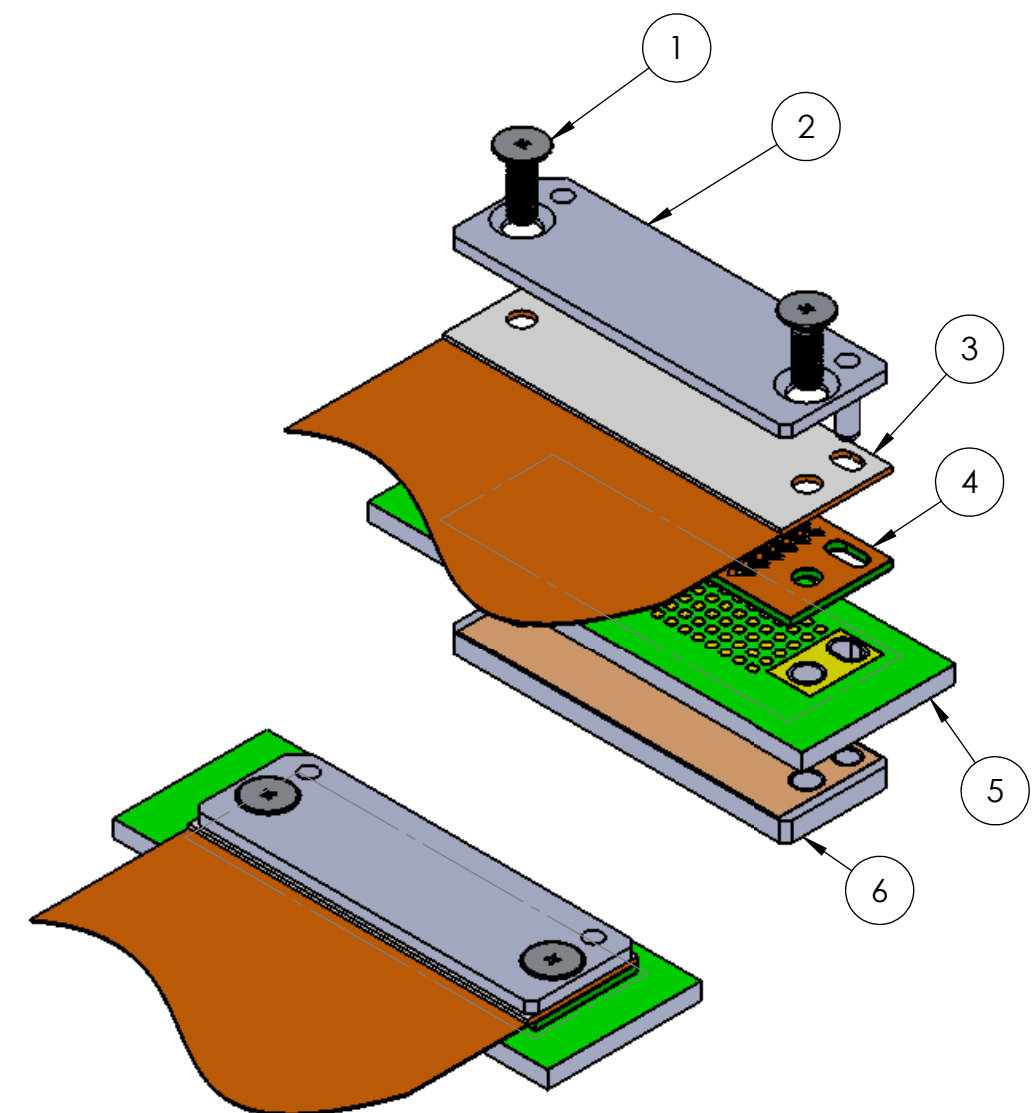
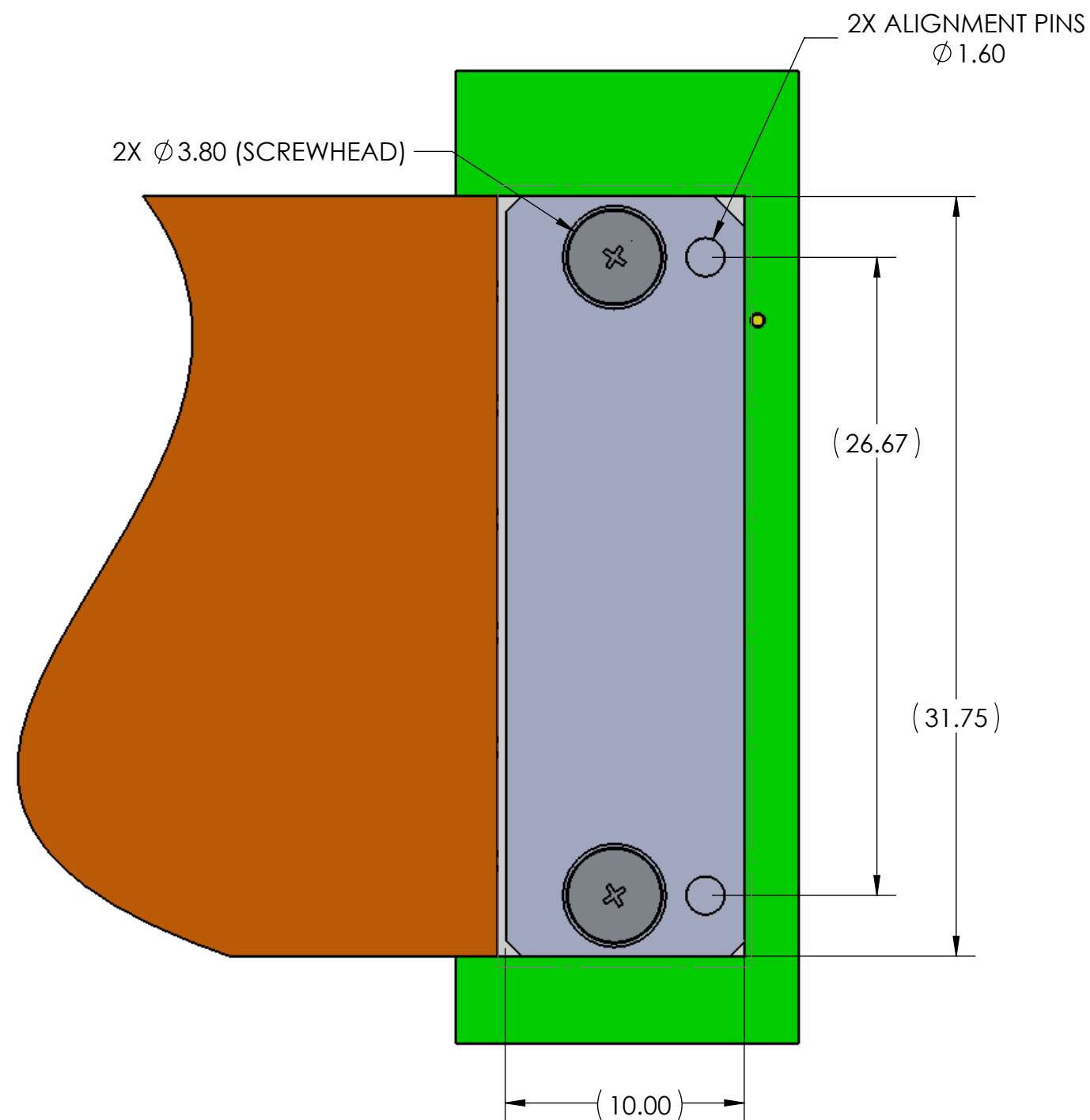


- PROPRIETARY INFORMATION -
NO USE OR REPRODUCTION MAY BE MADE OF
THIS DOCUMENT WITHOUT EXPRESS WRITTEN
PERMISSION OF NEOCONIX.

REVISION				
REV	ECN	DESCRIPTION	DATE	APPROVED
A	1263	PRODUCTION RELEASE	12-10-2019	WES TAO



ITEM	DESCRIPTION	NEOCONIX P/N	QTY PER ASSY
1	M2 FLATHEAD SCREW	VARIOUS *	2
2	TOP STIFFENER	B01-000625-Lxxx *	1
3	FPC	CUSTOM UPON REQUEST	1
4	INTERPOSER	SPH2-SF102A	1
5	PCB	N/A - CUSTOMER SUPPLIED	1
6	BOTTOM STIFFENER	B01-000629	1

* SEE AS-000034 FOR VARIOUS PART NUMBER
OPTIONS BASED ON ASSEMBLY THICKNESS STACKUP.
ALL ITEMS ORDERED SEPARATELY.

neoconix
4020 MOORPARK AVENUE #108
SAN JOSE, CA 95117 USA
TEL: 408-530-9393 FAX: 408-530-9383

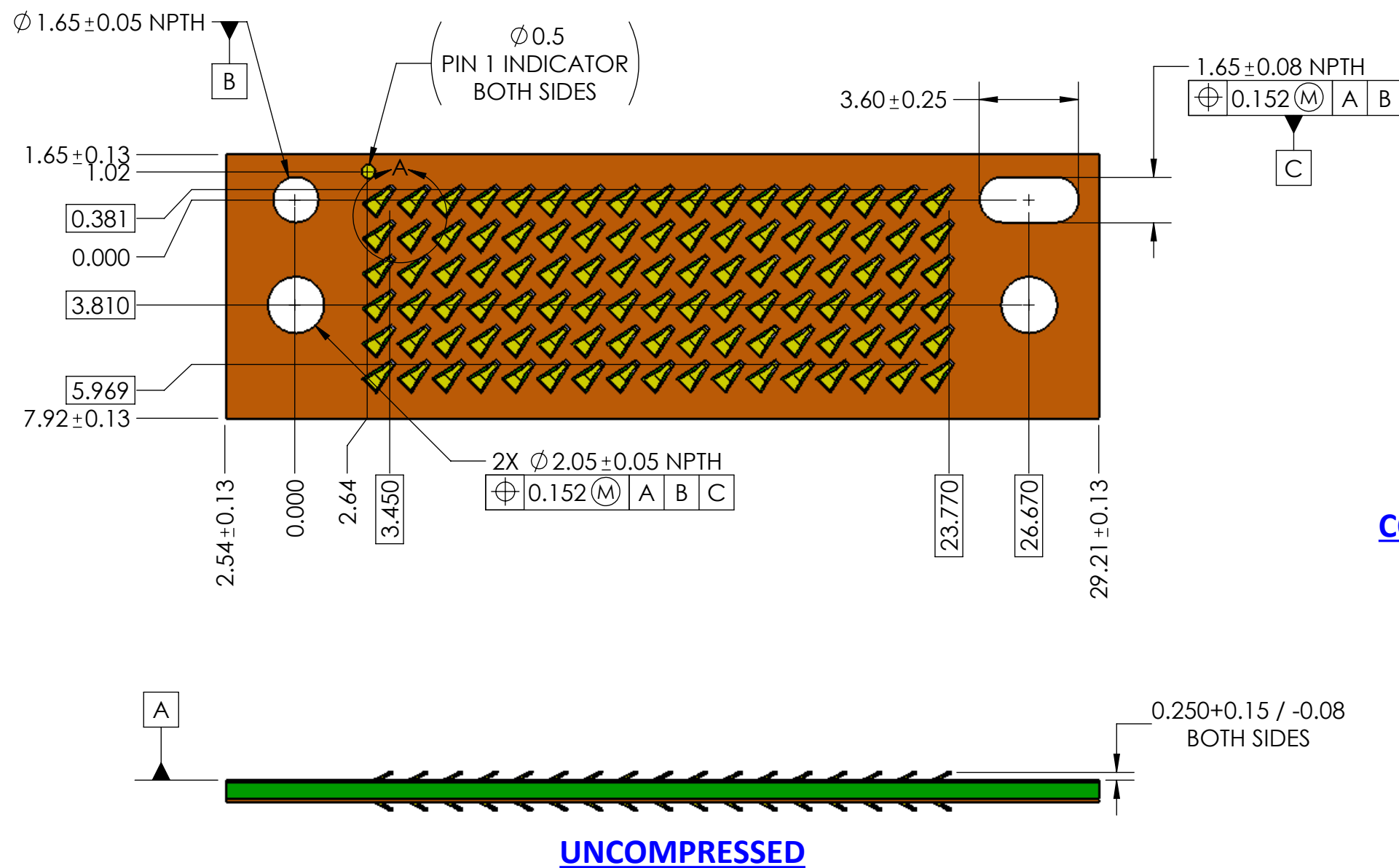
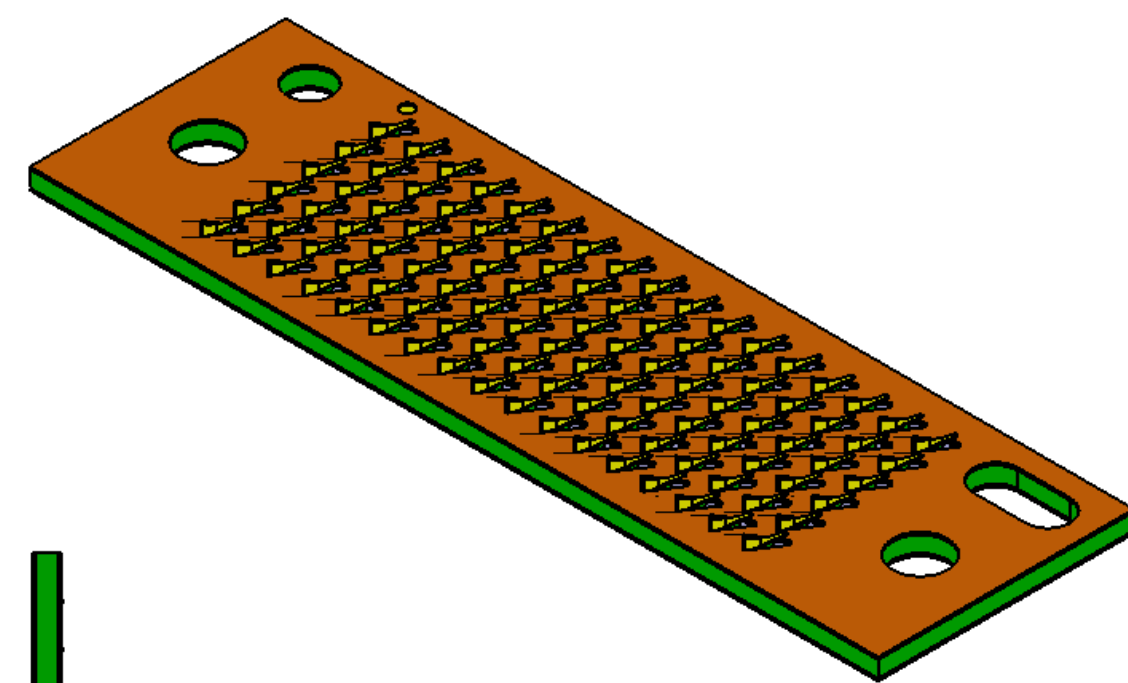
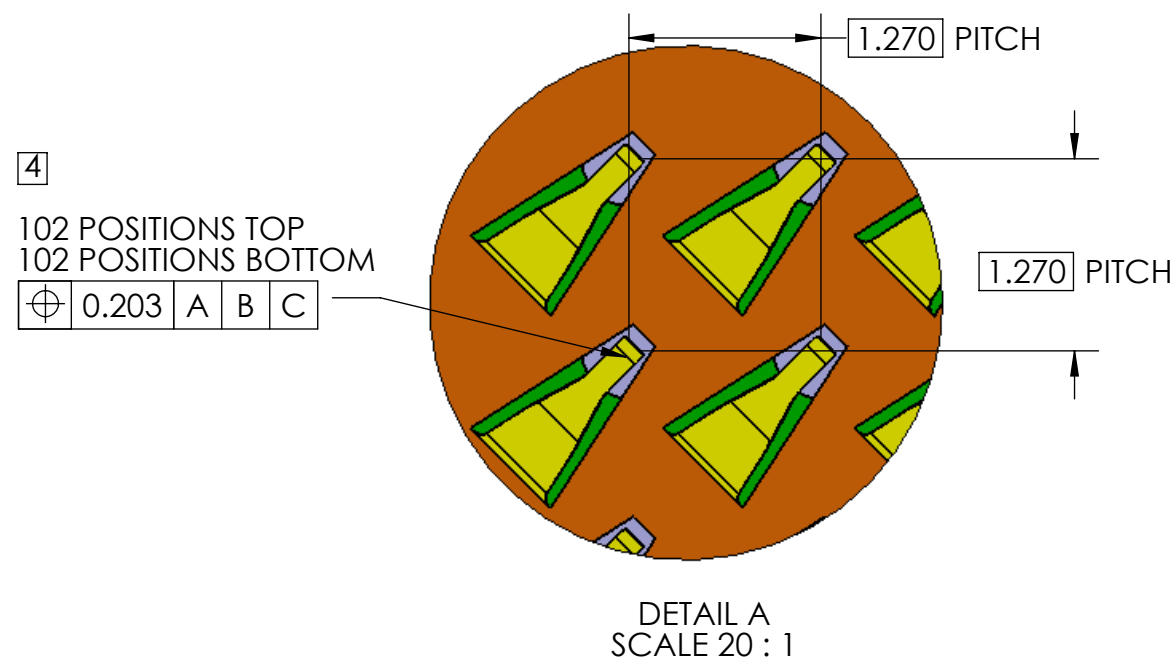
DIMENSIONS ARE IN
MM [INCH]
.X ±
.XX ±
.XXX ±
ANGLE: NO DEC ±
.X ±
.XX ±

MATERIAL: SEE NOTES
FINISH:
DRAWN BY: W.B.LONG 09-30-2019
CHECKED BY:
ENGR APPR:
MFG APPR:
QA APPR:

TITLE:
SPH2 ASSEMBLY
102 POSITIONS LGA-LGA
DWG NUMBER:
SPH2-SF102A-ASY
REV
A
SCALE: 4:1 SHEET 1 OF 4

- PROPRIETARY INFORMATION -
NO USE OR REPRODUCTION MAY BE MADE OF
THIS DOCUMENT WITHOUT EXPRESS WRITTEN
PERMISSION OF NEOCONIX.

REVISION				
REV	ECN	DESCRIPTION	DATE	APPROVED
A	1269	PRODUCTION RELEASE	12-10-2019	WES TAO



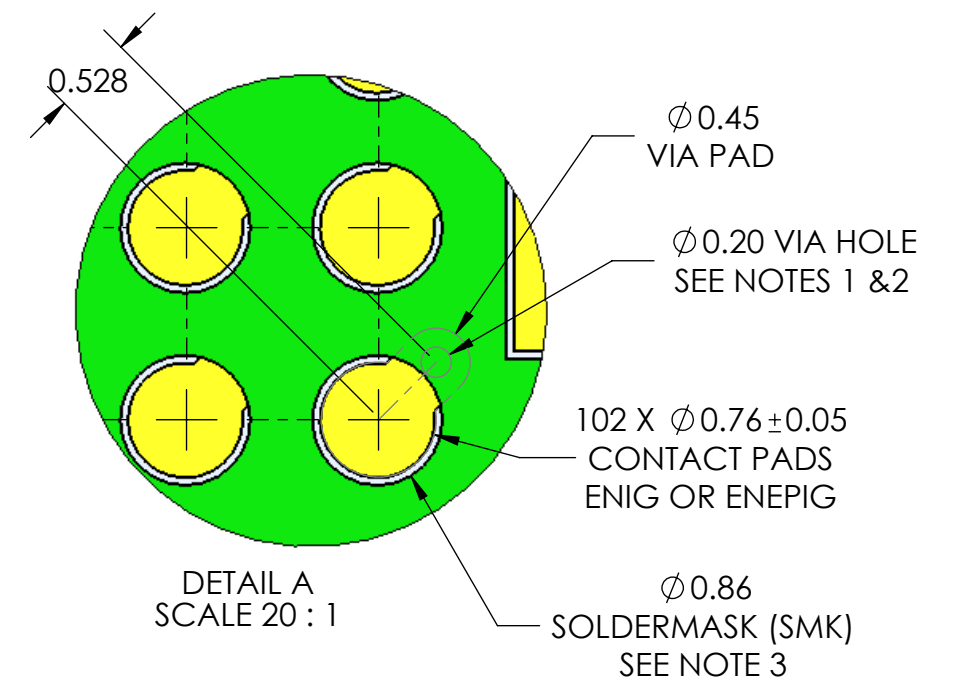
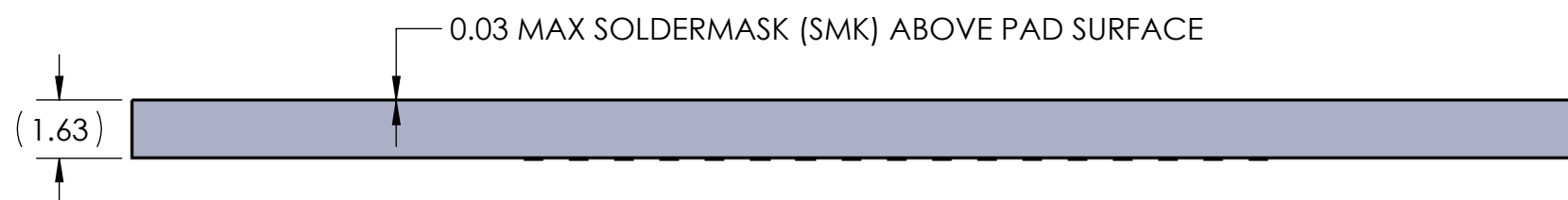
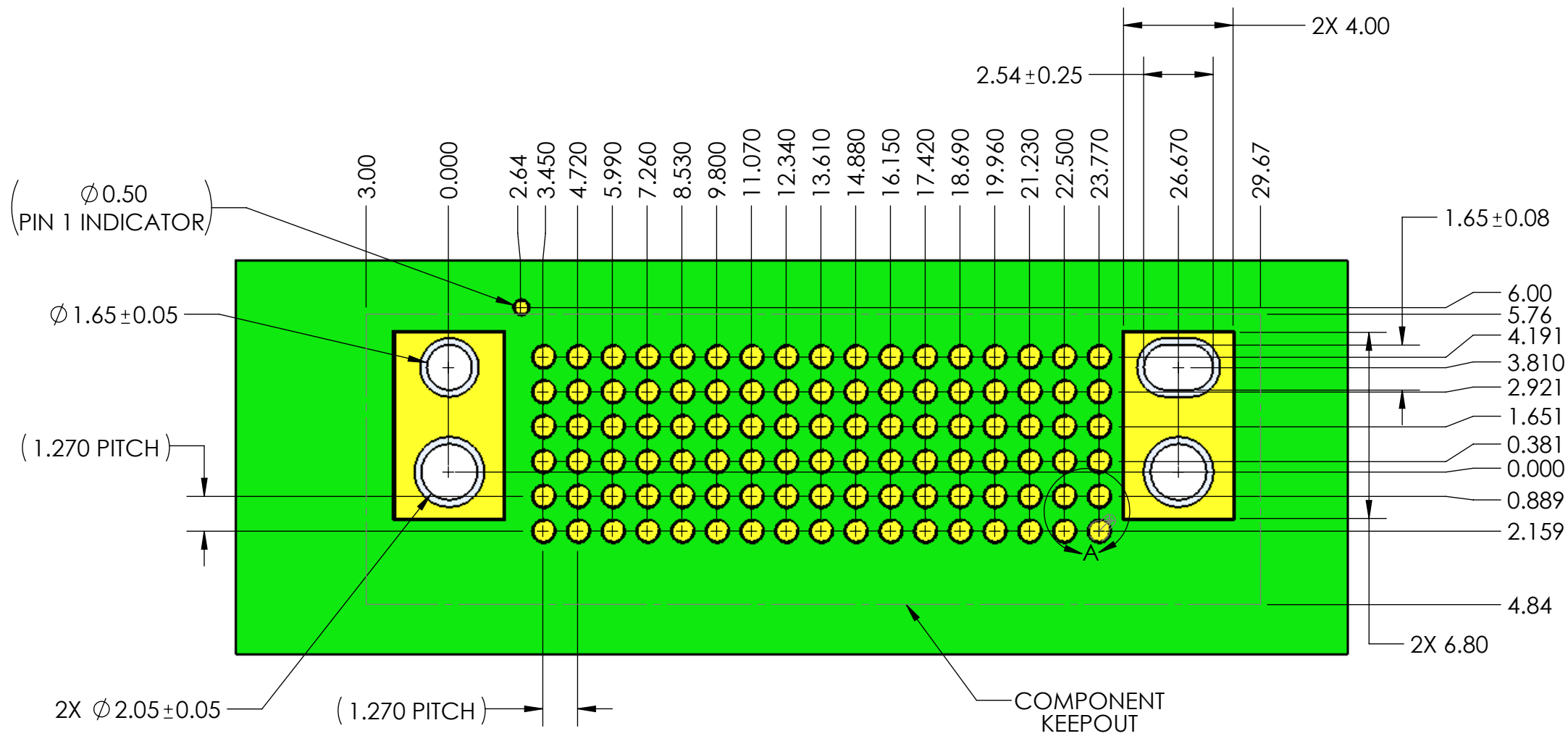
NOTES (UNLESS OTHERWISE SPECIFIED):

1. INTERPRET DRAWING PER ASME Y14.5M-1994.
2. HALOGEN-FREE PER IPC-4101B.
3. COMPLIANT WITH RoHS DIRECTIVE 2011/65/EU.

4 CENTER MARKS OF CONTACT POSITIONS ARE FOR COMPRESSED STATE

<p>4020 MOORPARK AVENUE #108 SAN JOSE, CA 95117 USA TEL: 408-530-9393 FAX: 408-530-9383</p>	<p>DIMENSIONS ARE IN MM</p> <p>.X ± 0.13 .XX ± 0.08 .XXX ± 0.025</p> <p>ANGLE: NO DEC ± 2 DEGREE</p> <p>.X ± .XX ±</p>	<p>MATERIAL: SEE NOTES</p> <p>FINISH:</p> <p>DRAWN BY: W.B.LONG 09-30-2019</p> <p>CHECKED BY:</p> <p>ENGR APPR:</p> <p>MFG APPR:</p> <p>QA APPR:</p>	<p>TITLE: SPH2 INTERPOSER 102 POS LGA-LGA</p> <p>DWG NUMBER: SPH2-SF102A-ASY</p> <p>SCALE: 5:1</p>
	<p>THIRD ANGLE</p>	<p>SIZE: B+</p>	<p>REV: A</p>
	<p>SHEET 2 OF 4</p>		<p>REV: A</p>
	<p>SCALE: 5:1</p>		

REVISION				
REV	ECN	DESCRIPTION	DATE	APPROVED
A	1263	PRODUCTION RELEASE	12-10-2019	WES TAO



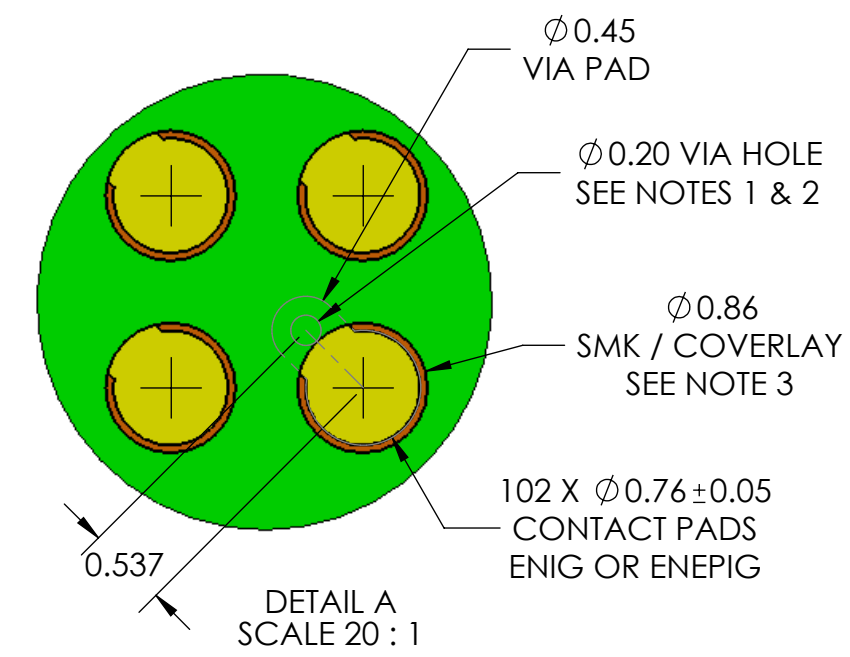
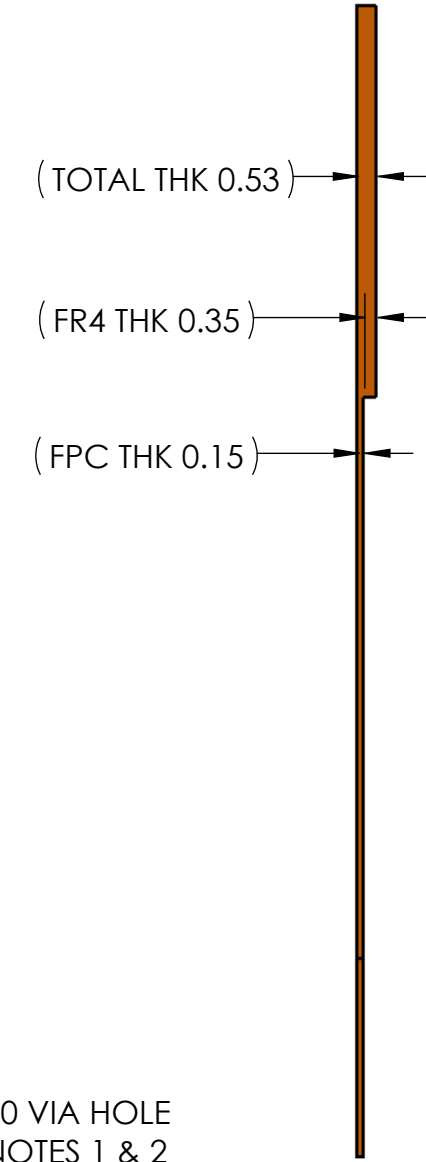
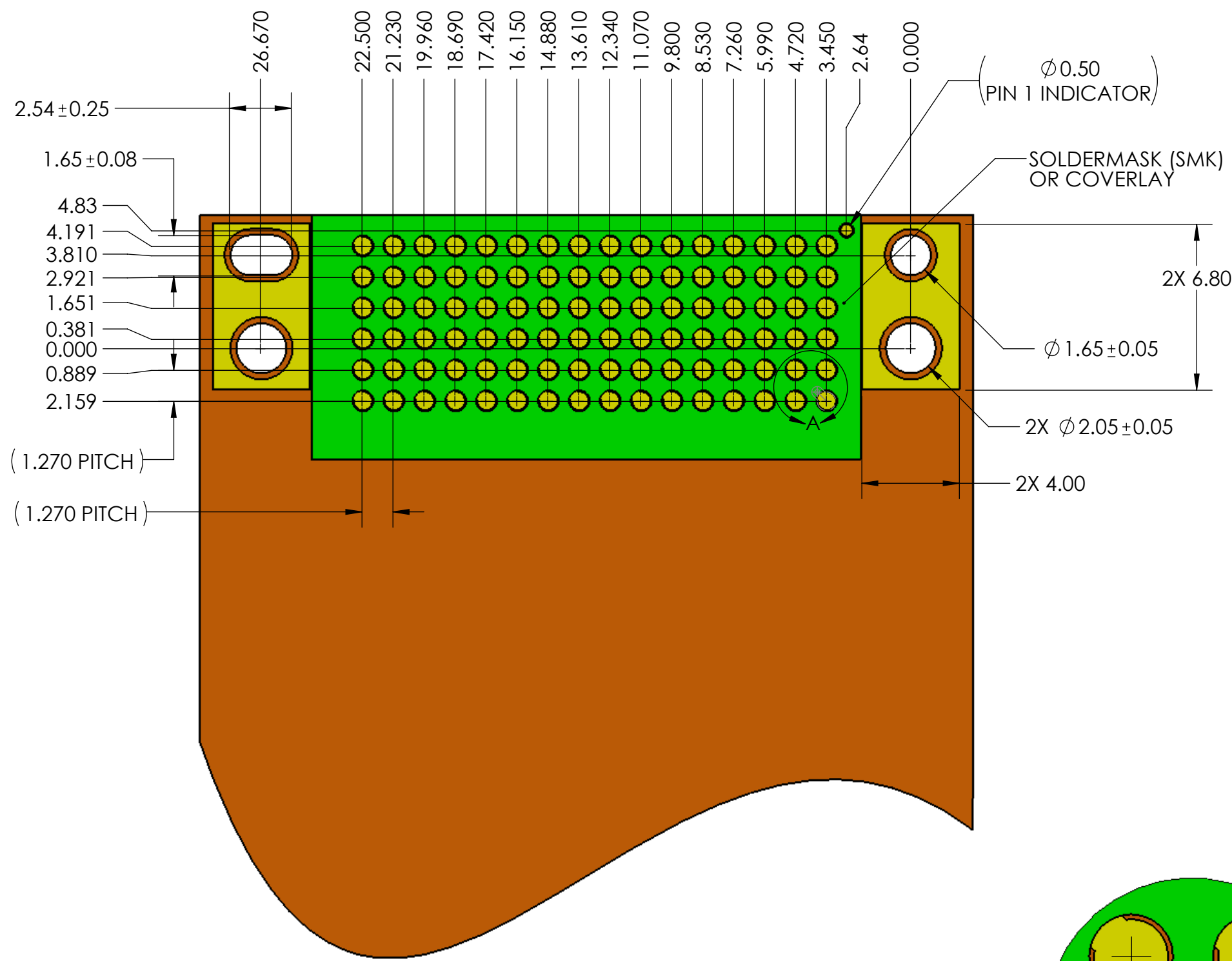
NOTES:

- IT IS ACCEPTABLE TO ROTATE THE POSITION OF THE VIAS AS NEEDED.
- IF THE VIA NEEDS TO BE LOCATED WITHIN THE 0.60MM PAD DIAMETER, IT MUST BE FILLED, PLATED, AND PLANARIZED WITH 25UM MAX DIMPLE.
- SOLDERMASK APPLICATION IN THE ARRAY AREA IS OPTIONAL. IF APPLIED, IT SHALL NOT PROTRUDE MORE THAN 0.03MM ABOVE THE SURFACE OF THE MATING PADS.

<p>4020 MOORPARK AVENUE #108 SAN JOSE, CA 95117 USA TEL: 408-530-9393 FAX: 408-530-9383</p>	DIMENSIONS ARE IN MM [INCH] .X ± .XX ± .XXX ± ANGLE: NO DEC ± .X ± .XX ±	MATERIAL: SEE NOTES FINISH: DRAWN BY: W.B.LONG 09-30-2019 CHECKED BY: ENGR APPR: MFG APPR: QA APPR:	TITLE: RECOMMENDED PCB LAYOUT SPH2-SF102A DWG NUMBER: SPH2-SF102A-PCB SCALE: 5:1	REV A SHEET 3 OF 4
	THIRD ANGLE	SIZE B+	REV A	SHEET 3 OF 4

- PROPRIETARY INFORMATION -
NO USE OR REPRODUCTION MAY BE MADE OF
THIS DOCUMENT WITHOUT EXPRESS WRITTEN
PERMISSION OF NEOCONIX.

REVISION				
REV	ECN	DESCRIPTION	DATE	APPROVED
A	1263	PRODUCTION RELEASE	12-10-2019	WES TAO



- NOTES:
- IT IS ACCEPTABLE TO ROTATE THE POSITION OF THE VIAS AS NEEDED.
 - IF THE VIA NEEDS TO BE LOCATED WITHIN THE 0.60MM PAD DIAMETER, IT MUST BE FILLED, PLATED, AND PLANARIZED WITH 25UM MAX DIMPLE.
 - SOLDERMASK APPLICATION IN THE ARRAY AREA IS OPTIONAL. IF APPLIED, IT SHALL NOT PROTRUDE MORE THAN 0.03MM ABOVE THE SURFACE OF THE MATING PADS.

<p>4020 MOORPARK AVENUE #108 SAN JOSE, CA 95117 USA TEL: 408-530-9393 FAX: 408-530-9383</p>	DIMENSIONS ARE IN MM [INCH] .X ± .XX ± .XXX ± ANGLE: NO DEC ± .X ± .XX ±	MATERIAL: SEE NOTES FINISH: DRAWN BY: W.B.LONG 09-30-2019 CHECKED BY: ENGR APPR: MFG APPR: QA APPR:	TITLE: RECOMMENDED FPC LAYOUT SPH2-SF102A DWG NUMBER: SPH2-SF102A-FPC SCALE: 5:1
	<p>THIRD ANGLE</p>	SIZE: B+	REV: A
	SHEET 4 OF 4		