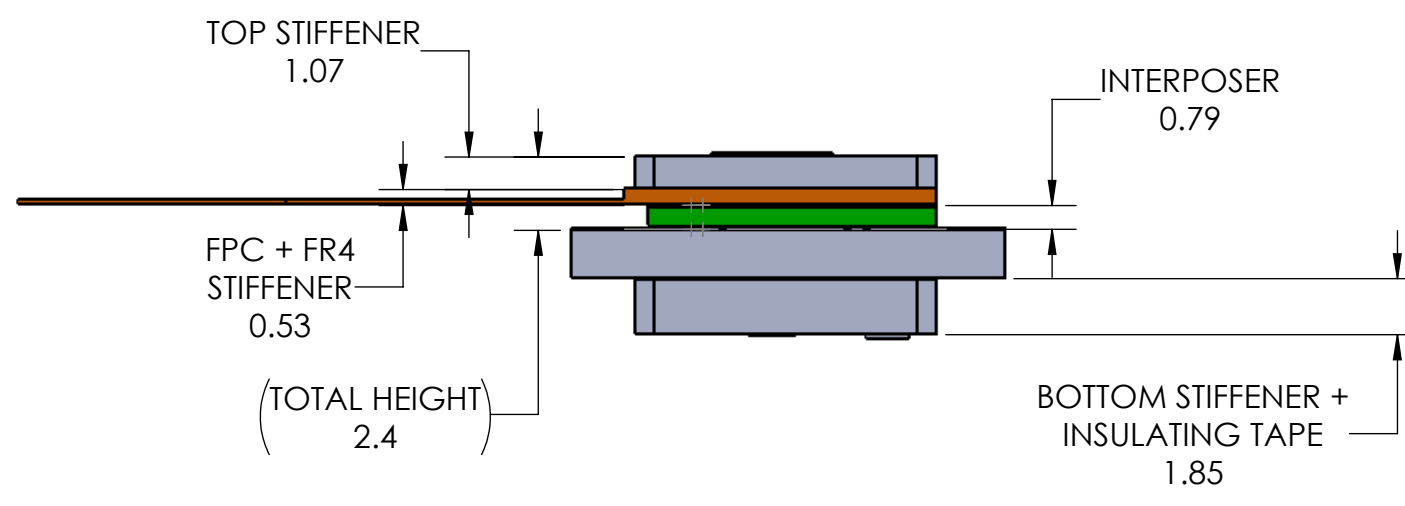
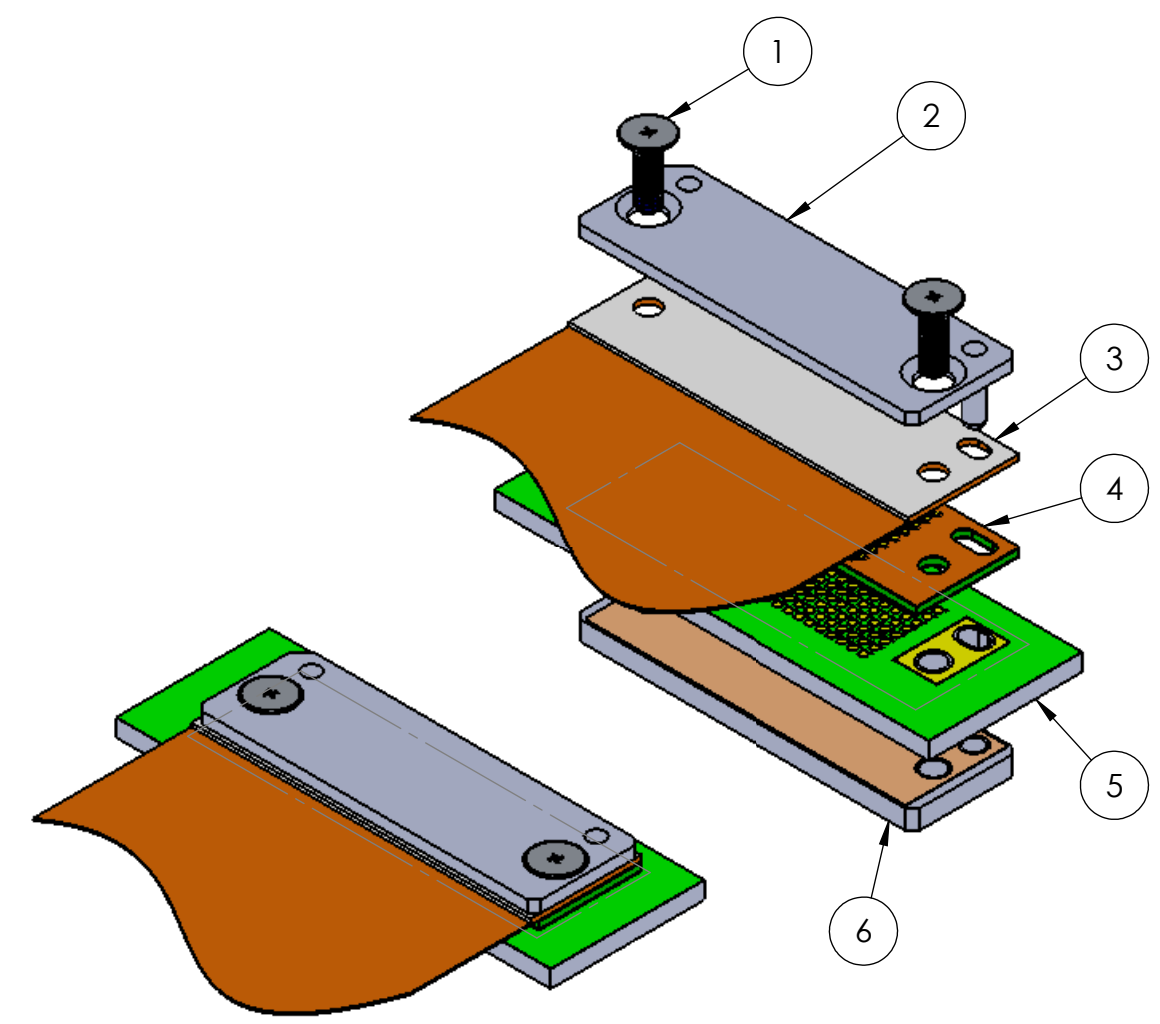
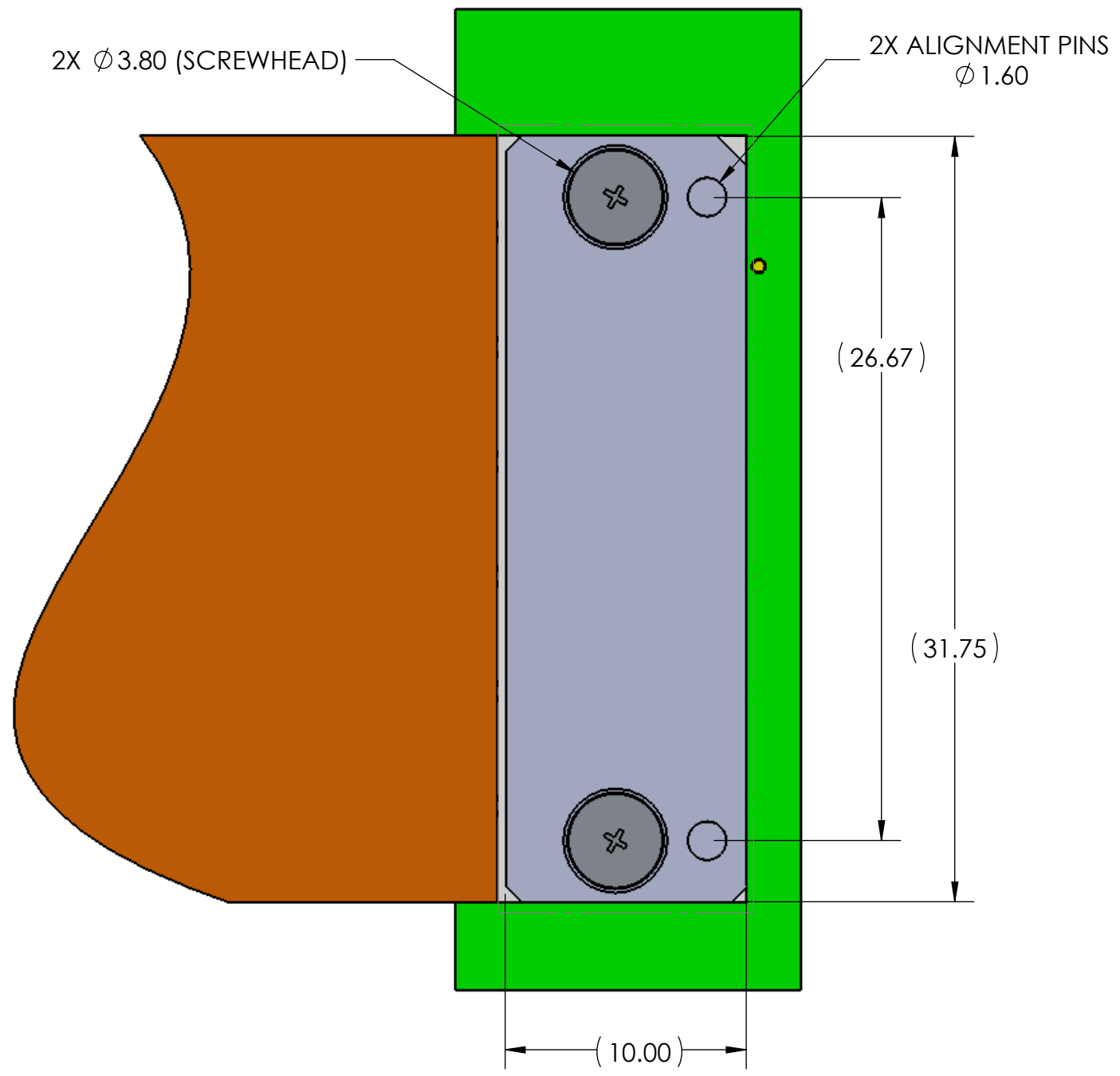


- PROPRIETARY INFORMATION -  
NO USE OR REPRODUCTION MAY BE MADE OF  
THIS DOCUMENT WITHOUT EXPRESS WRITTEN  
PERMISSION OF NEOCONIX.

REVISION				
REV	ECN	DESCRIPTION	DATE	APPROVED
A	1263	PRODUCTION RELEASE	12-10-2019	WES TAO



ITEM	DESCRIPTION	NEOCONIX P/N	QTY PER ASSY
1	M2 FLATHEAD SCREW	VARIOUS *	2
2	TOP STIFFENER	B01-000625-Lxxx *	1
3	FPC	CUSTOM UPON REQUEST	1
4	INTERPOSER	SPH2-SD160A	1
5	PCB	N/A - CUSTOMER SUPPLIED	1
6	BOTTOM STIFFENER	B01-000629	1

\* SEE AS-000034 FOR VARIOUS PART NUMBER  
OPTIONS BASED ON ASSEMBLY THICKNESS STACKUP.  
ALL ITEMS ORDERED SEPARATELY.

4020 MOORPARK AVENUE #108  
SAN JOSE, CA 95117 USA  
TEL: 408-530-9393 FAX: 408-530-9383

DIMENSIONS ARE IN  
MM [INCH]

.X ±  
.XX ±  
.XXX ±  
ANGLE: NO DEC ±  
.X ±  
.XX ±

THIRD ANGLE

MATERIAL: SEE NOTES

FINISH:

DRAWN BY: W.B.LONG 09-30-2019

CHECKED BY:

ENGR APPR:

MFG APPR:

QA APPR:

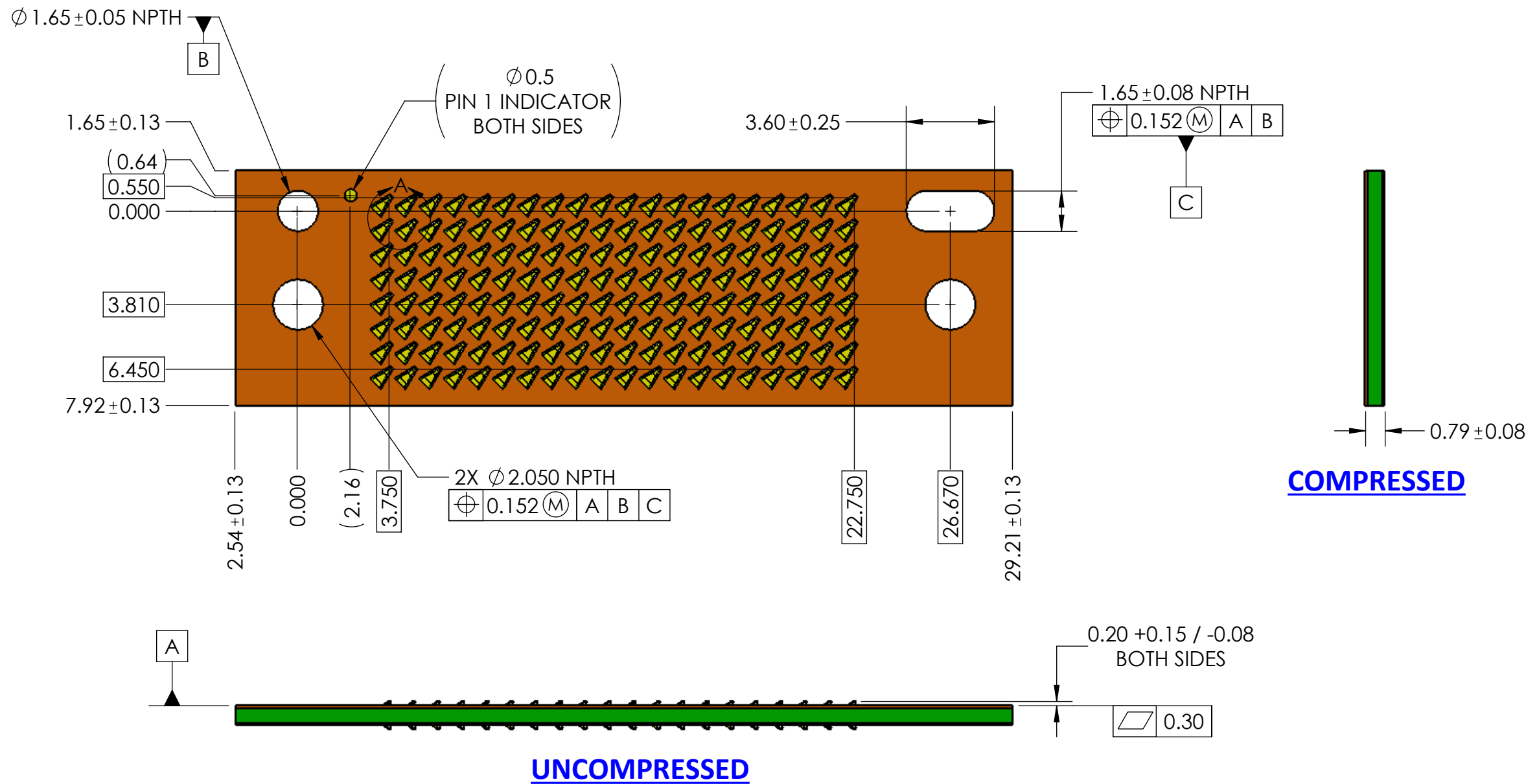
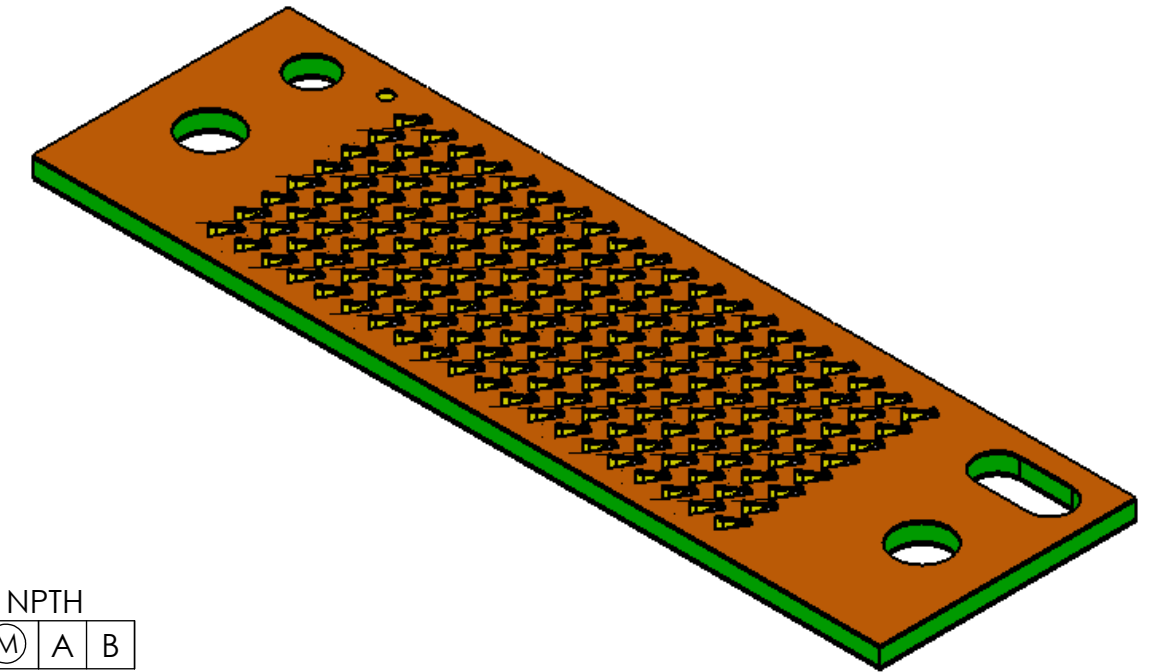
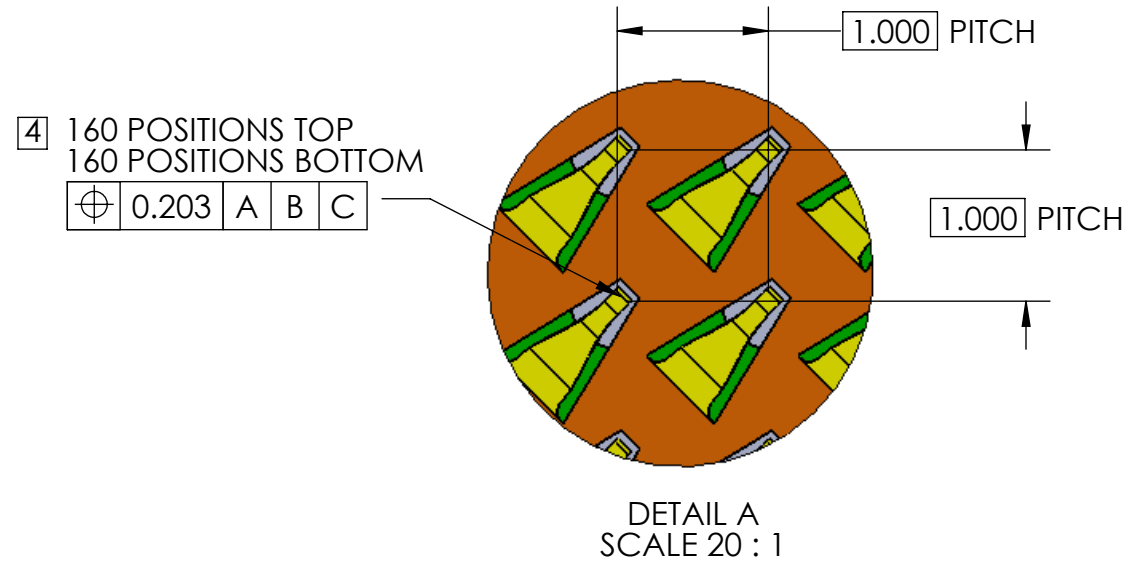
TITLE:  
SPH2 ASSEMBLY  
160 POSITIONS LGA-LGA

SIZE DWG NUMBER:  
B+ SPH2-SD160A-ASY

SCALE: 2:1 SHEET 1 OF 4

- PROPRIETARY INFORMATION -  
NO USE OR REPRODUCTION MAY BE MADE OF  
THIS DOCUMENT WITHOUT EXPRESS WRITTEN  
PERMISSION OF NEOCONIX.

REVISION				
REV	ECN	DESCRIPTION	DATE	APPROVED
A	1263	PRODUCTION RELEASE	12-10-2019	WES TAO



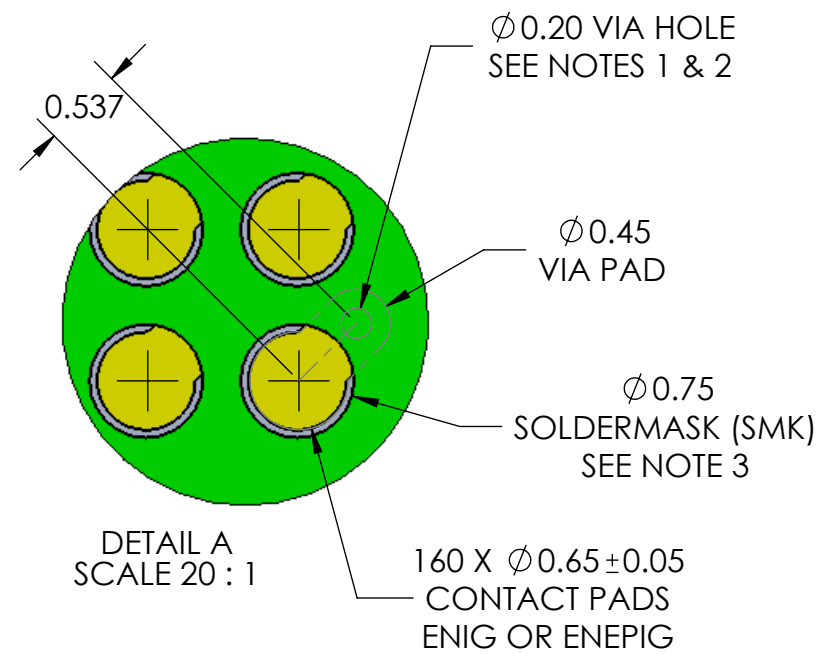
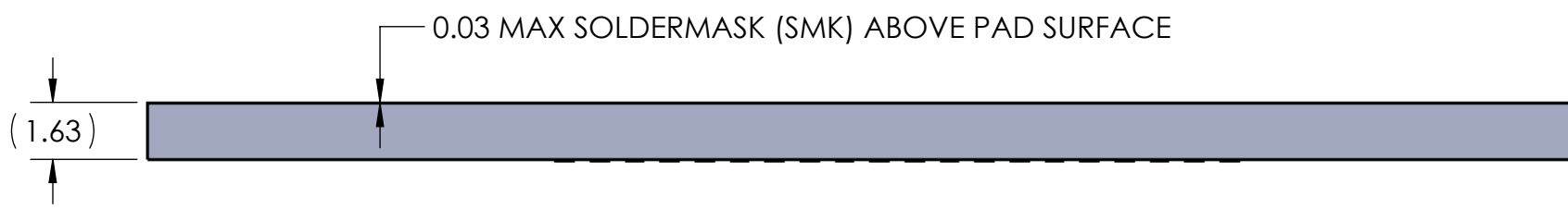
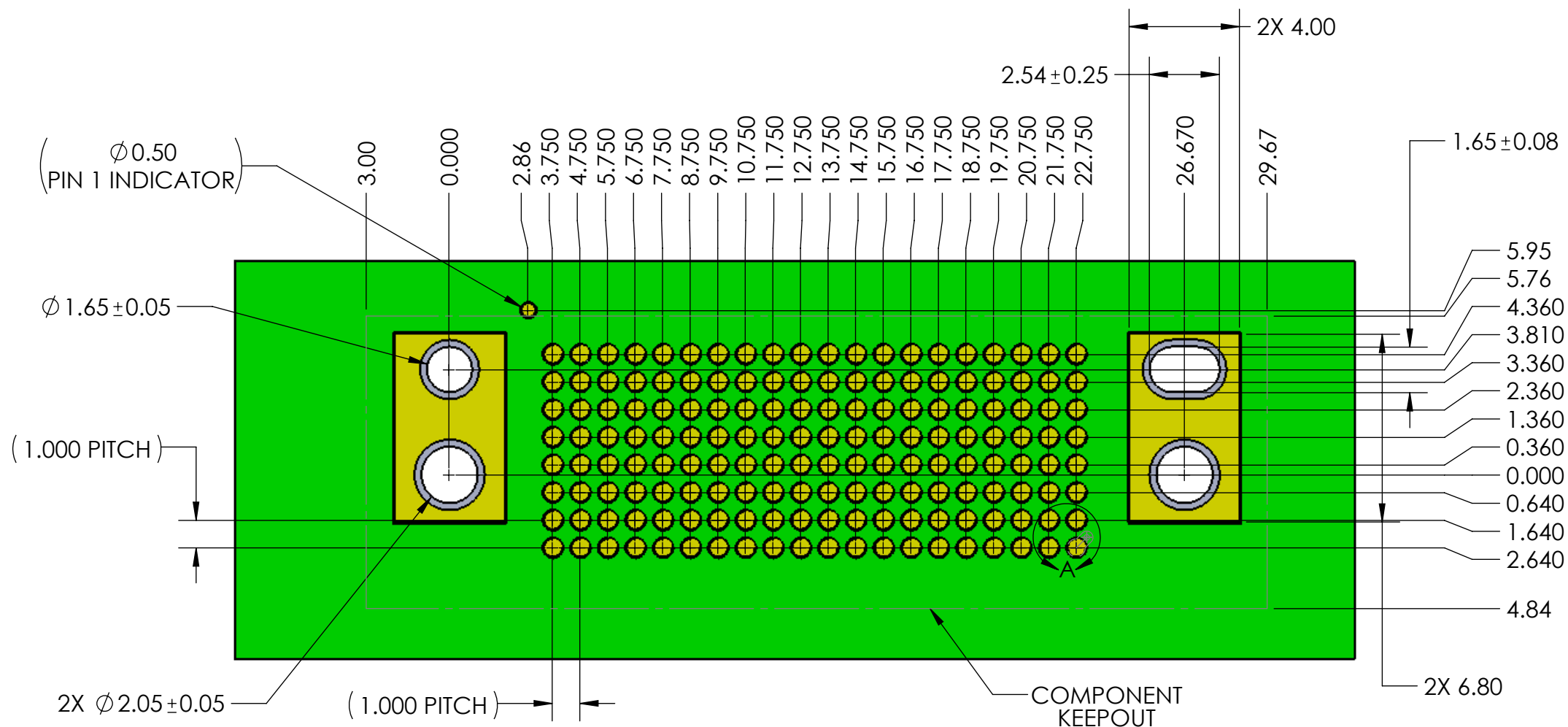
NOTES (UNLESS OTHERWISE SPECIFIED):

1. INTERPRET DRAWING PER ASME Y14.5M-1994.
2. HALOGEN-FREE PER IPC-4101B.
3. COMPLIANT WITH RoHS DIRECTIVE 2011/65/EU.

4 CENTER MARKS OF CONTACT POSITIONS ARE FOR COMPRESSED STATE

<p>4020 MOORPARK AVENUE #108 SAN JOSE, CA 95117 USA TEL: 408-530-9393 FAX: 408-530-9383</p>	DIMENSIONS ARE IN MM .X ± 0.13 .XX ± 0.08 .XXX ± 0.025 ANGLE: NO DEC ± 2 DEGREE X ± .XX ±		MATERIAL: SEE NOTES FINISH:		TITLE: <b>SPH2 INTERPOSER 160 POS LGA-LGA</b>	
	CHECKED BY:		DRAWN BY: W.B.LONG 09-30-2019		SIZE: B+	
	ENGR APPR:		MFG APPR:		DWG NUMBER: <b>SPH2-SD160A</b>	
	QA APPR:		THIRD ANGLE		REV: A	
				SCALE: 5:1		
				SHEET 2 OF 4		

REVISION				
REV	ECN	DESCRIPTION	DATE	APPROVED
A	1263	PRODUCTION RELEASE	12-10-2019	WES TAO

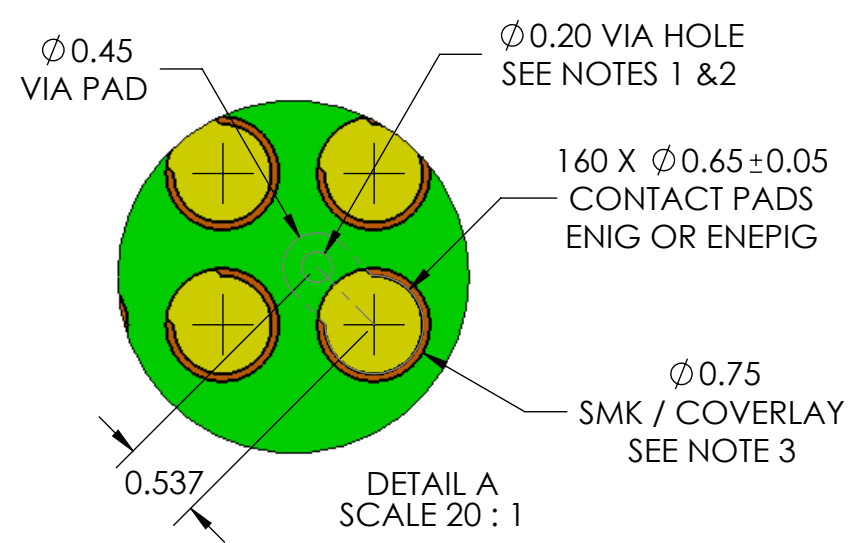
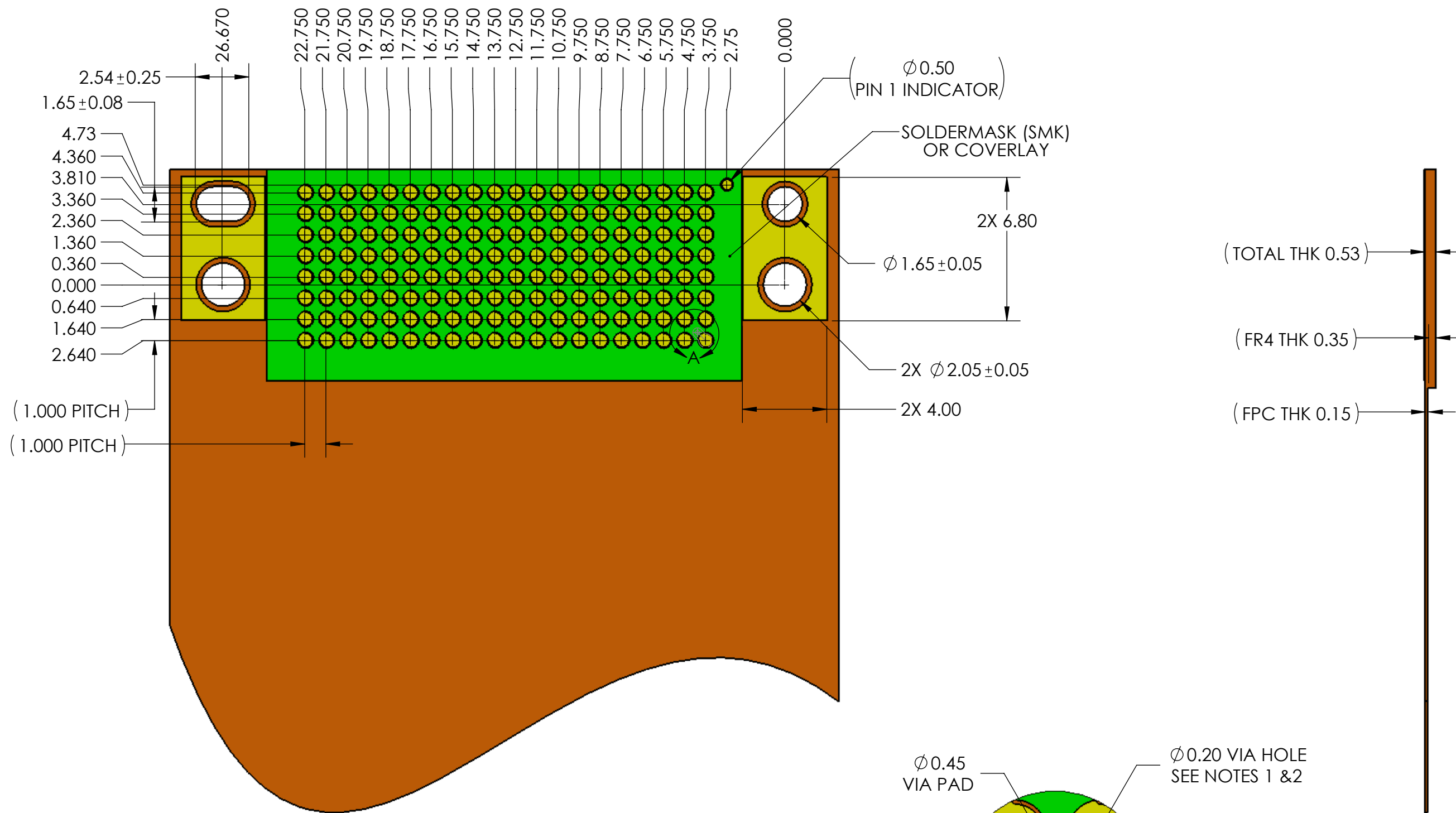


- NOTES:
- IT IS ACCEPTABLE TO ROTATE THE POSITION OF THE VIAS AS NEEDED.
  - IF THE VIA NEEDS TO BE LOCATED WITHIN THE 0.60MM PAD DIAMETER, IT MUST BE FILLED, PLATED, AND PLANARIZED WITH 25UM MAX DIMPLE.
  - SOLDERMASK APPLICATION IN THE ARRAY AREA IS OPTIONAL. IF APPLIED, IT SHALL NOT PROTRUDE MORE THAN 0.03MM ABOVE THE SURFACE OF THE MATING PADS.

<p>4020 MOORPARK AVENUE #108 SAN JOSE, CA 95117 USA TEL: 408-530-9393 FAX: 408-530-9383</p>	DIMENSIONS ARE IN MM [INCH]		MATERIAL: SEE NOTES		TITLE: RECOMMENDED PCB LAYOUT SPH2-SD160A	
	FINISH:		DRAWN BY: W.B.LONG 09-30-2019		SIZE: B+	
	CHECKED BY:		ENGR APPR:		DWG NUMBER: SPH2-SD160A-PCB	
	ANGLE: NO DEC ± .X ± .XX ± .XXX ±		MFG APPR:		REV: A	
THIRD ANGLE			QA APPR:		SCALE: 5:1 SHEET 3 OF 4	

- PROPRIETARY INFORMATION -  
NO USE OR REPRODUCTION MAY BE MADE OF  
THIS DOCUMENT WITHOUT EXPRESS WRITTEN  
PERMISSION OF NEOCONIX.

REVISION				
REV	ECN	DESCRIPTION	DATE	APPROVED
A	1263	PRODUCTION RELEASE	12-10-2019	WES TAO



NOTES:

- IT IS ACCEPTABLE TO ROTATE THE POSITION OF THE VIAS AS NEEDED.
- IF THE VIA NEEDS TO BE LOCATED WITHIN THE 0.60MM PAD DIAMETER, IT MUST BE FILLED, PLATED, AND PLANARIZED WITH 25UM MAX DIMPLE.
- SOLDERMASK APPLICATION IN THE ARRAY AREA IS OPTIONAL. IF APPLIED, IT SHALL NOT PROTRUDE MORE THAN 0.03MM ABOVE THE SURFACE OF THE MATING PADS.

<p>4020 MOORPARK AVENUE #108 SAN JOSE, CA 95117 USA TEL: 408-530-9393 FAX: 408-530-9383</p>	<p>DIMENSIONS ARE IN MM [INCH]</p> <p>.X ± .XX ± .XXX ± ANGLE: NO DEC ± .X ± .XX ±</p> <p>THIRD ANGLE</p>	<p>MATERIAL: SEE NOTES</p> <p>FINISH:</p> <p>DRAWN BY: W.B.LONG 09-30-2019</p> <p>CHECKED BY:</p> <p>ENGR APPR:</p> <p>MFG APPR:</p> <p>QA APPR:</p>	<p>TITLE: RECOMMENDED FPC LAYOUT SPH2-SD160A</p> <p>DWG NUMBER: SPH2-SD160A-FPC</p> <p>SCALE: 5:1</p>
	<p>SIZE: B+</p>	<p>REV: A</p>	<p>SHEET 4 OF 4</p>
	<p>REVISION</p>		
	<p>DATE: 12-10-2019</p>		