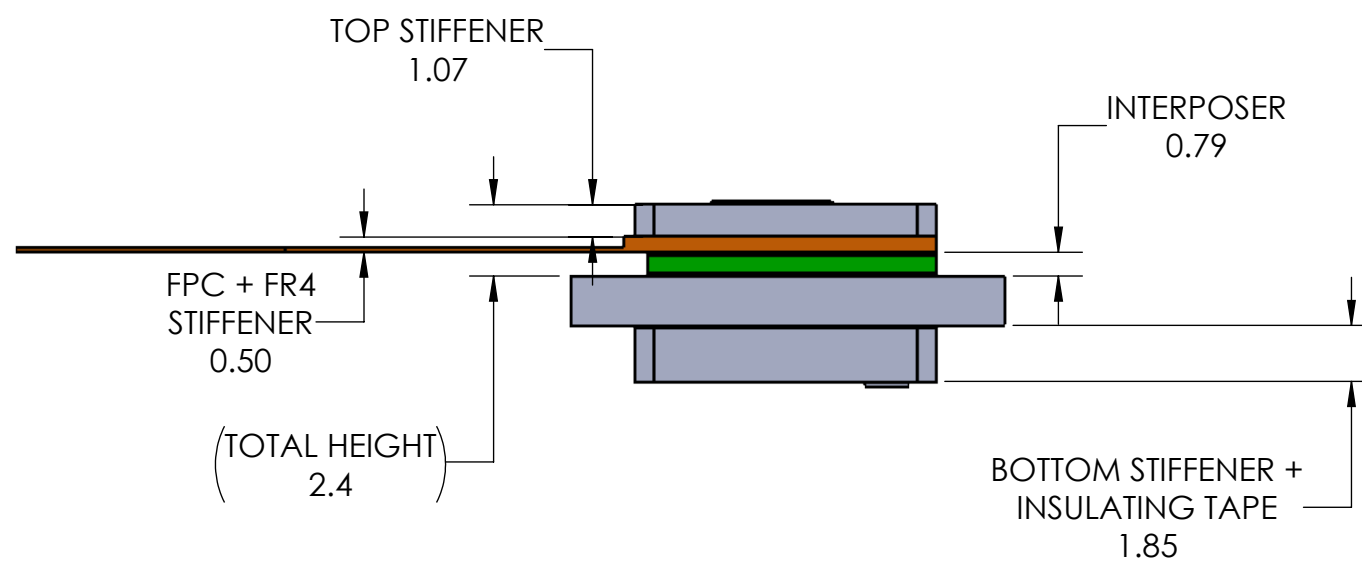
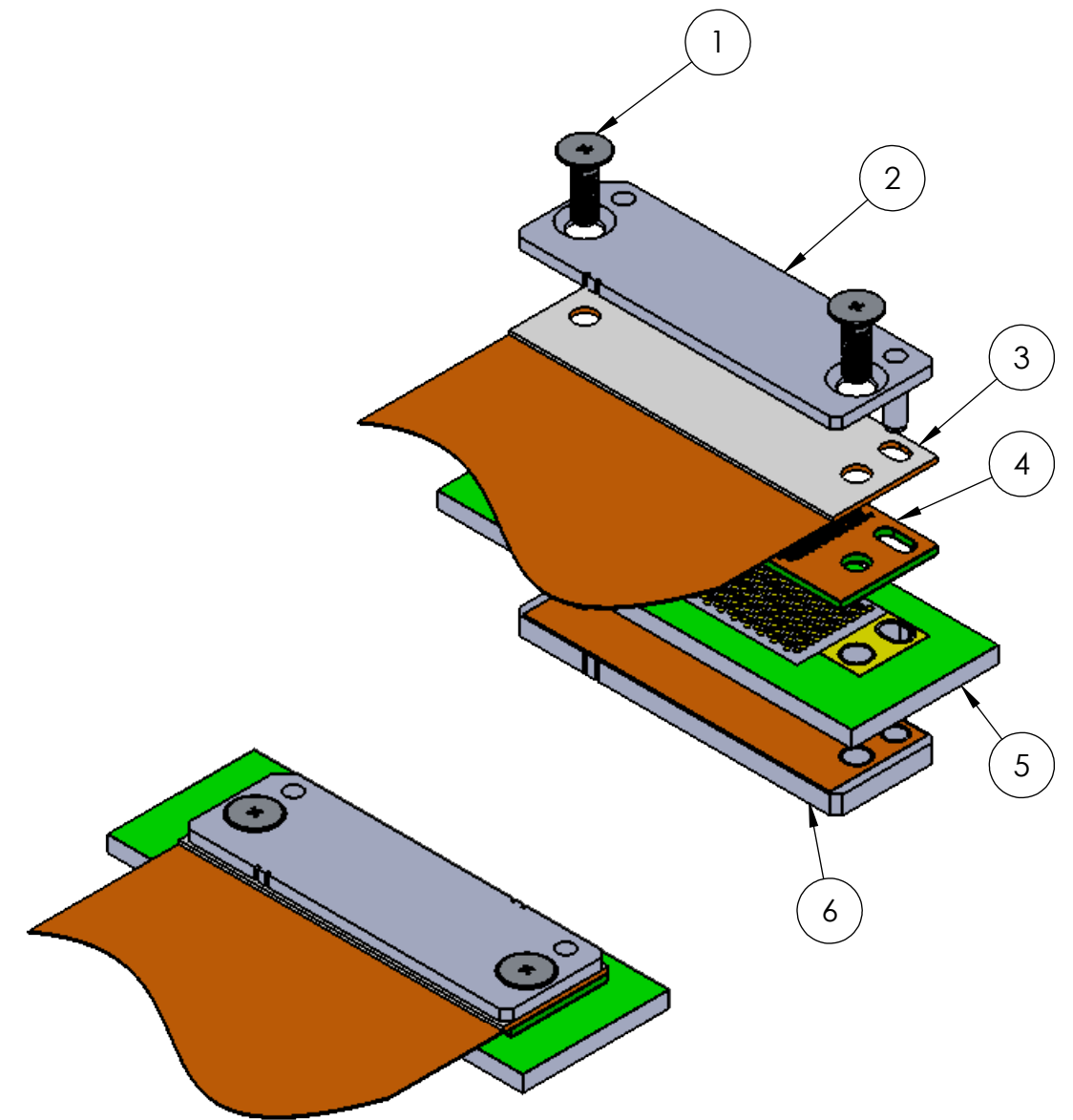
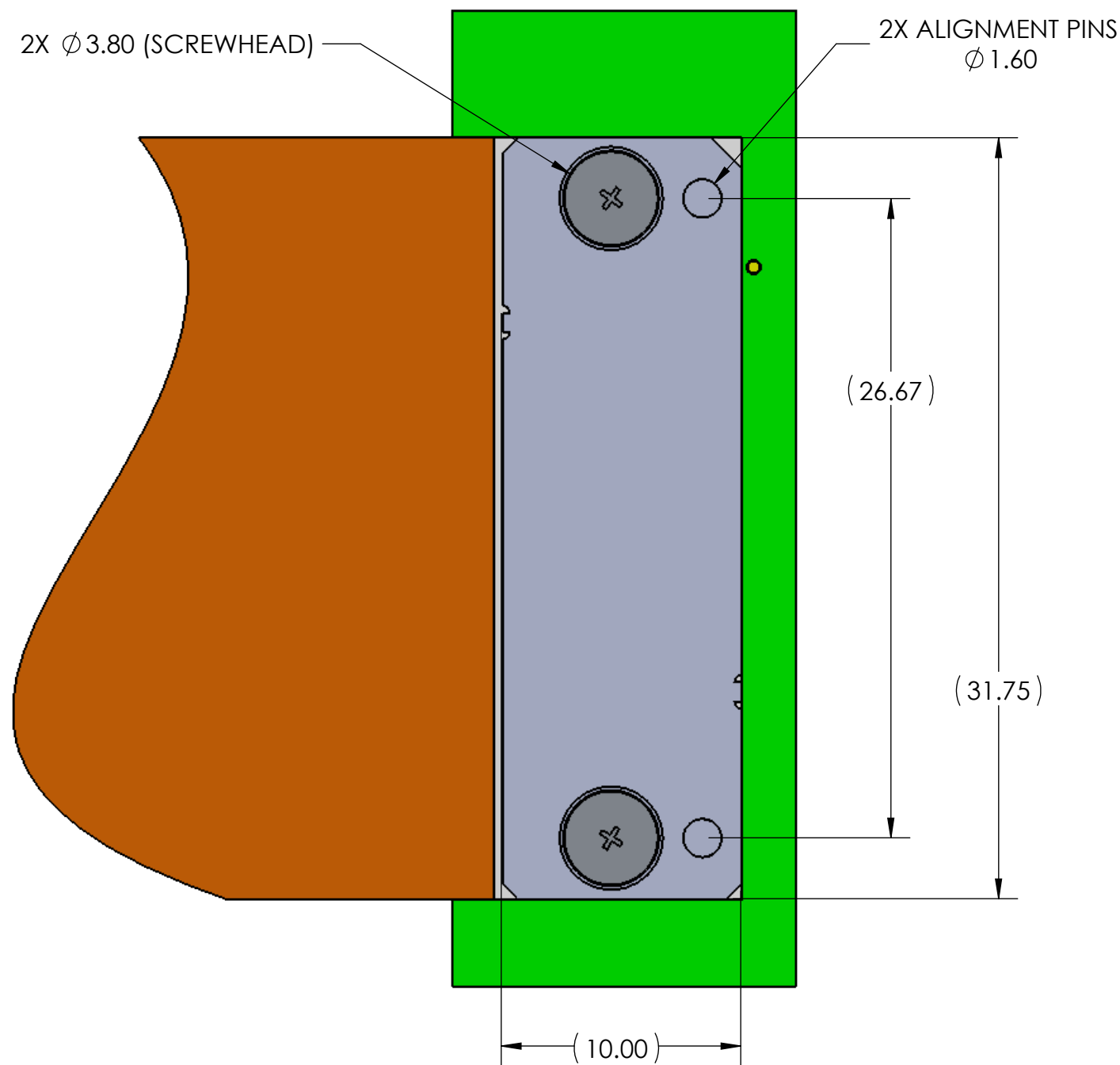


- PROPRIETARY INFORMATION -
NO USE OR REPRODUCTION MAY BE MADE OF
THIS DOCUMENT WITHOUT EXPRESS WRITTEN
PERMISSION OF NEOCONIX.

REV	ECN	DESCRIPTION	DATE	APPROVED
A	1263	PRODUCTION RELEASE	12-10-2019	WES TAO
B	1285	INCREASE MOUNTING HOLES: STIFFENER TABS	03-01-2021	WES TAO



ITEM	DESCRIPTION	NEOCONIX P/N	QTY PER ASSY
1	M2 FLATHEAD SCREW	VARIOUS *	2
2	TOP STIFFENER	B01-000625-Lxxx *	1
3	FPC	CUSTOM UPON REQUEST	1
4	INTERPOSER	SPH2-SC384A	1
5	PCB	N/A - CUSTOMER SUPPLIED	1
6	BOTTOM STIFFENER	B01-000629	1

* SEE AS-000034 FOR VARIOUS PART NUMBER
OPTIONS BASED ON ASSEMBLY THICKNESS STACKUP.
ALL ITEMS ORDERED SEPARATELY.

neconix
4020 MOORPARK AVENUE #108
SAN JOSE, CA 95117 USA
TEL: 408-530-9393 FAX: 408-530-9383

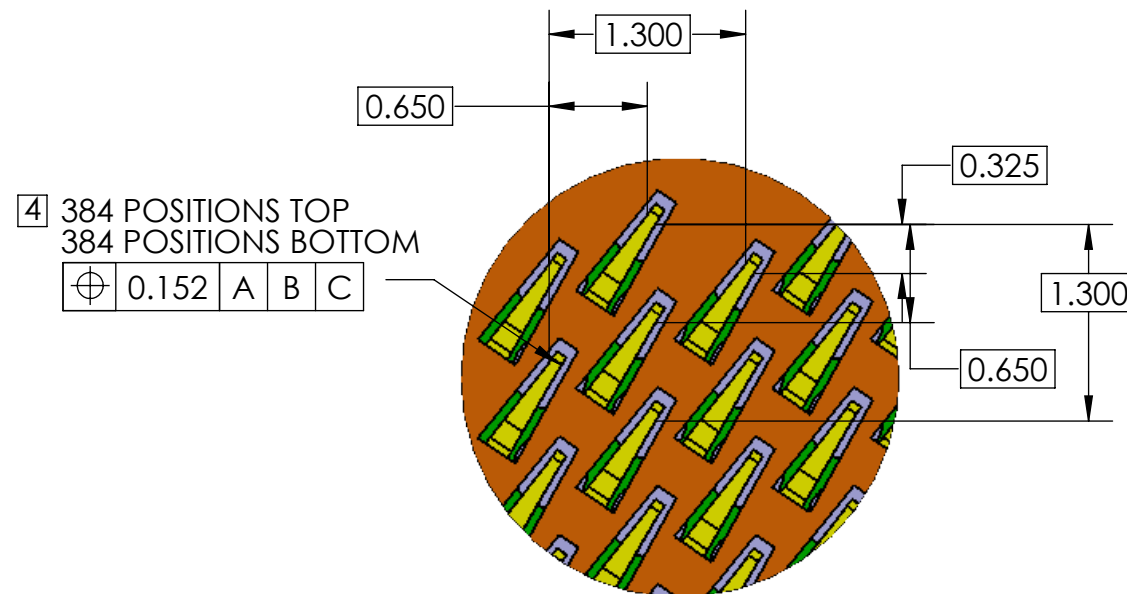
DIMENSIONS ARE IN
MM [INCH]
.X ±
.XX ±
.XXX ±
ANGLE: NO DEC ±
.X ±
.XX ±

MATERIAL: SEE NOTES
FINISH:
DRAWN BY: W.B.LONG 09-30-2019
CHECKED BY:
ENGR APPR:
MFG APPR:
QA APPR:

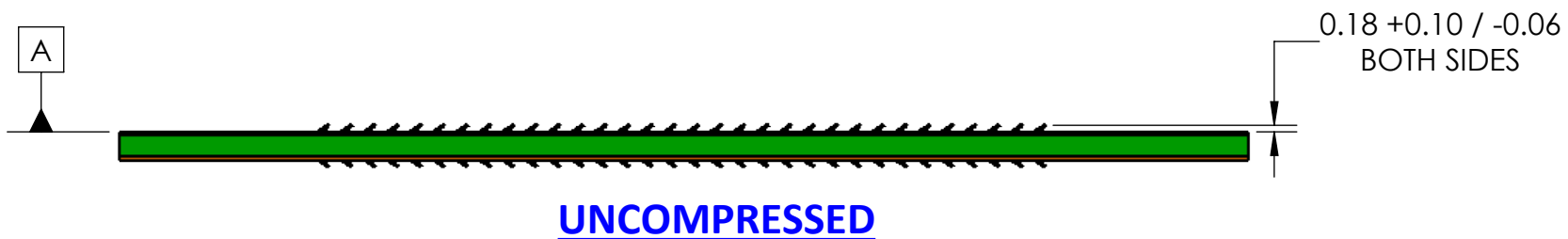
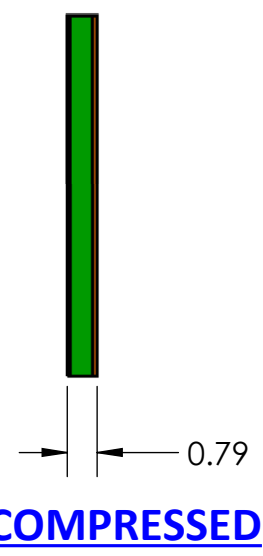
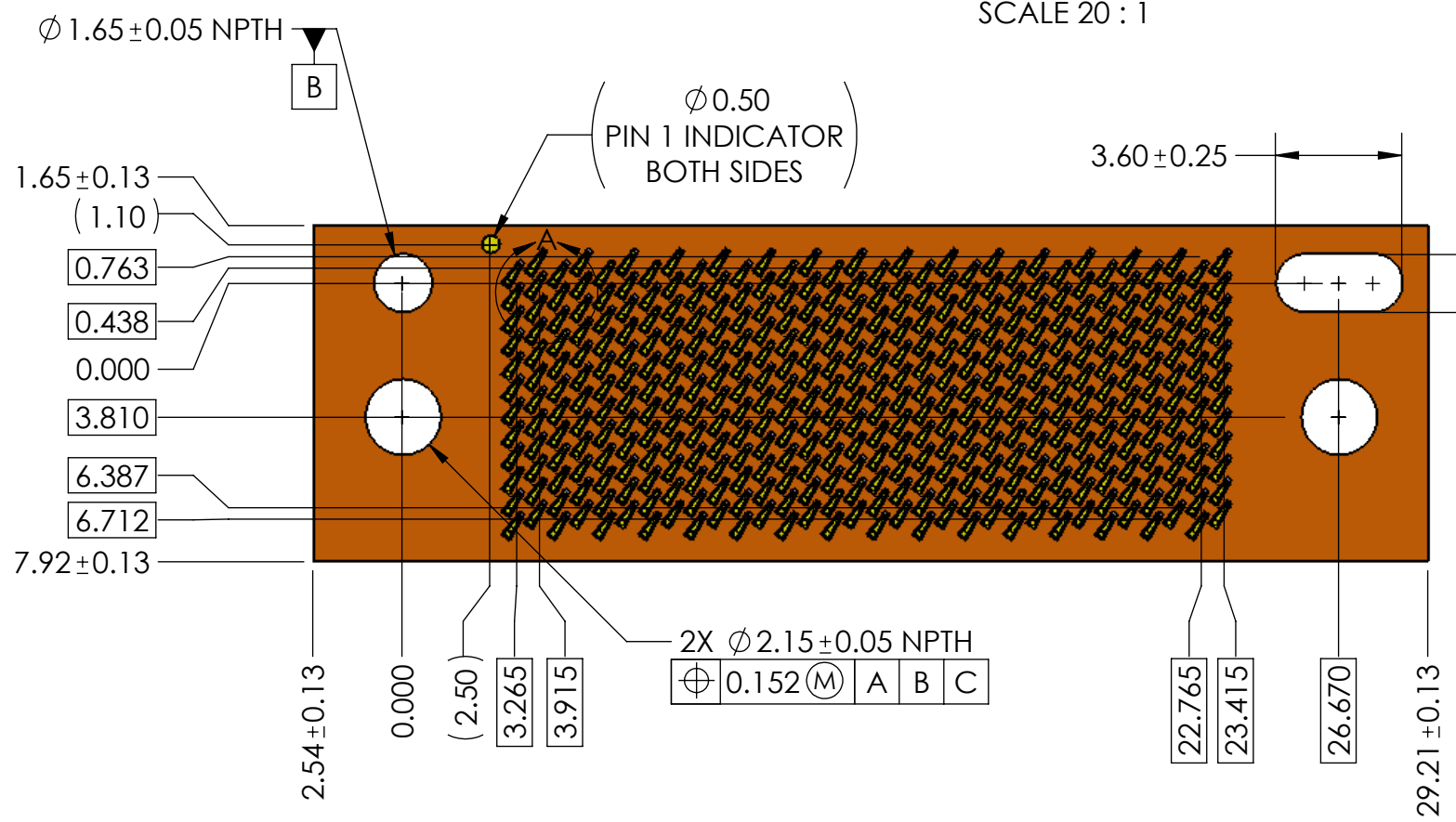
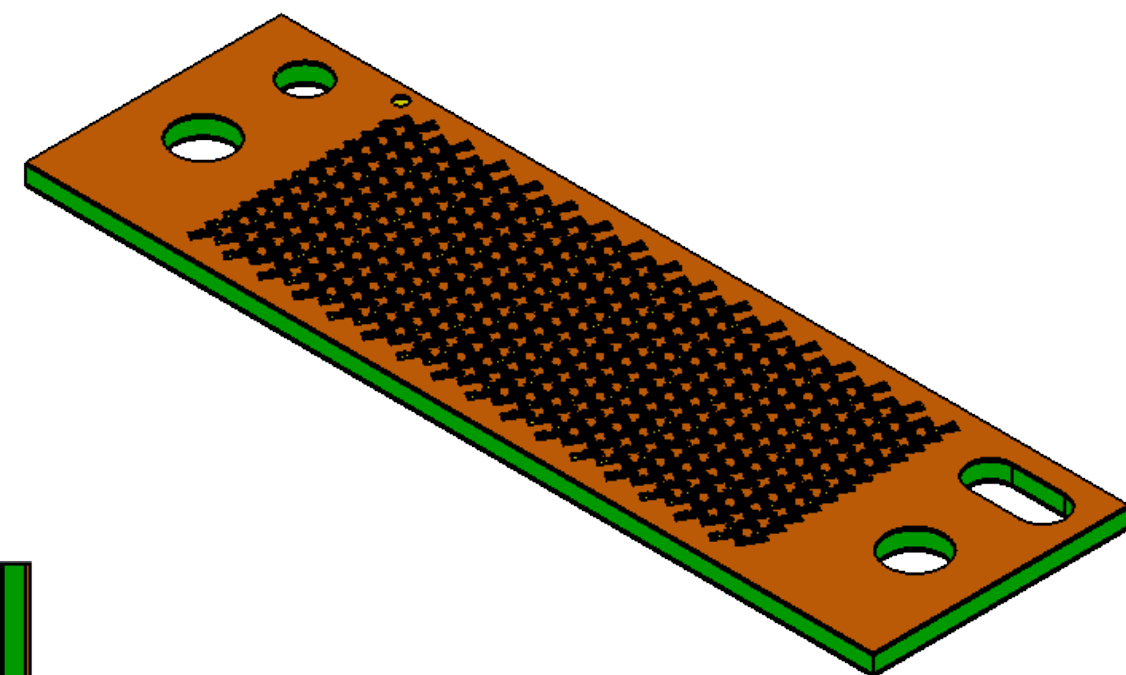
TITLE:
SPH2 ASSEMBLY
384 POSITIONS LGA-LGA
DWG NUMBER:
SPH2-SC384A-ASY
REV
B
SCALE: 4:1 SHEET 1 OF 4

- PROPRIETARY INFORMATION -
NO USE OR REPRODUCTION MAY BE MADE OF
THIS DOCUMENT WITHOUT EXPRESS WRITTEN
PERMISSION OF NEOCONIX.

REVISION				
REV	ECN	DESCRIPTION	DATE	APPROVED
A	1263	PRODUCTION RELEASE	12-10-2019	WES TAO
B	1285	INCREASE MOUNTING HOLES	03-01-2021	WES TAO



DETAIL A
SCALE 20:1



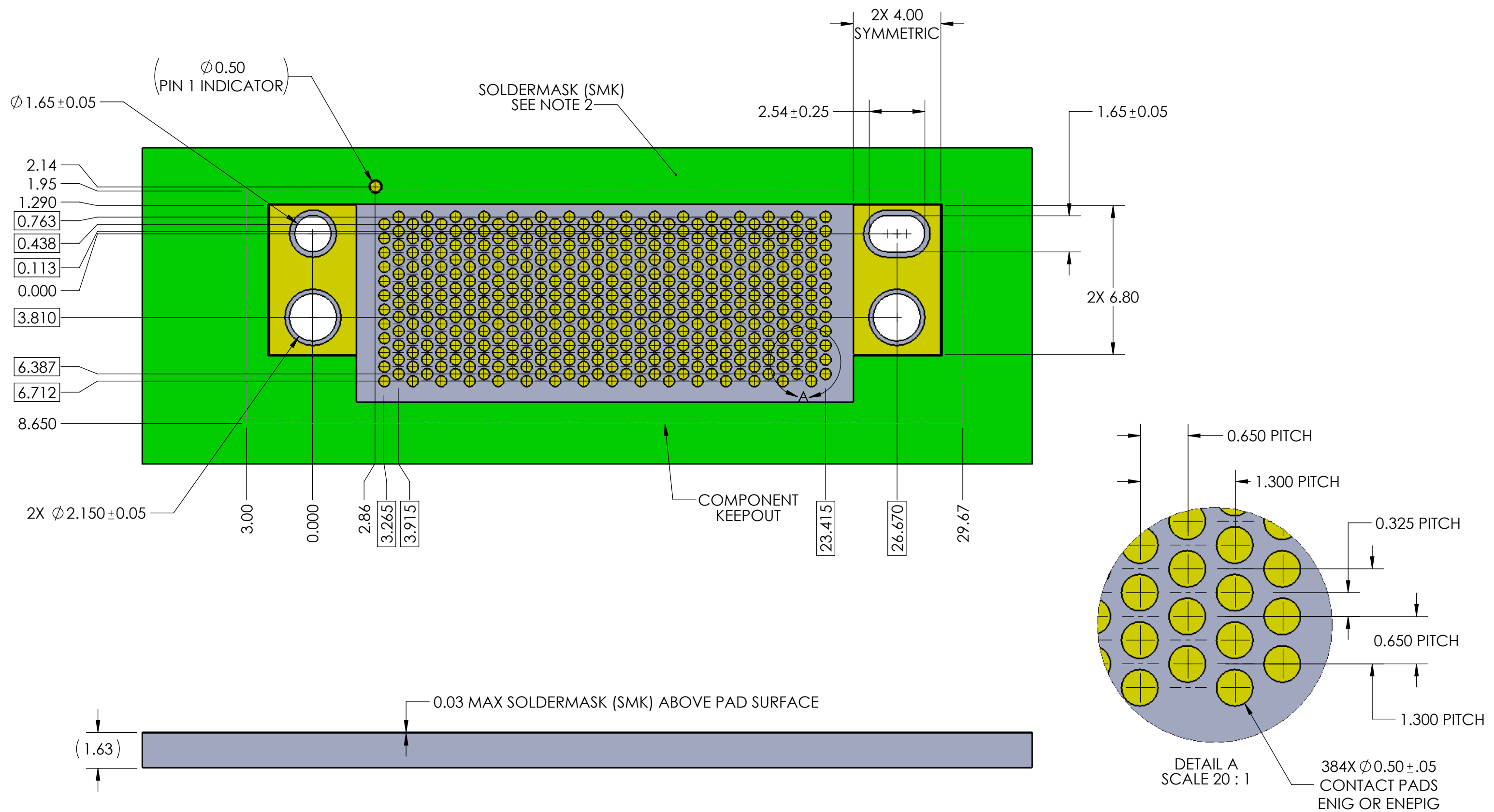
NOTES (UNLESS OTHERWISE SPECIFIED):

- INTERPRET DRAWING PER ASME Y14.5M-1994.
- HALOGEN-FREE PER IPC-4101B.
- COMPLIANT WITH RoHS DIRECTIVE 2011/65/EU.
- CENTER MARKS OF CONTACT POSITIONS ARE FOR COMPRESSED STATE

<p>4020 MOORPARK AVENUE #108 SAN JOSE, CA 95117 USA TEL: 408-530-9393 FAX: 408-530-9383</p>	<p>DIMENSIONS ARE IN MM [INCH] .X ±0.13 .XX ±0.08 .XXX ±0.025 ANGLE: NO DEC ±2 DEGREE X ± .XX ±</p>	<p>MATERIAL: SEE NOTES</p>	<p>TITLE: SPH2 INTERPOSER 384 POS LGA-LGA</p>
	<p>FINISH:</p>	<p>DRAWN BY: W.B.LONG 09-30-2019</p>	<p>SIZE: B+</p>
	<p>CHECKED BY:</p>	<p>ENGR APPR:</p>	<p>DWG NUMBER: SPH2-SC384A</p>
	<p>MFG APPR:</p>	<p>QA APPR:</p>	<p>REV: B</p>
<p>THIRD ANGLE</p>		<p>SCALE: 5:1</p>	<p>SHEET 2 OF 4</p>

- PROPRIETARY INFORMATION -
NO USE OR REPRODUCTION MAY BE MADE OF
THIS DOCUMENT WITHOUT EXPRESS WRITTEN
PERMISSION OF NEOCONIX.

REVISION				
REV	ECN	DESCRIPTION	DATE	APPROVED
A	1263	PRODUCTION RELEASE	12-10-2019	WES TAO
B	1285	INCREASE MOUNTING HOLES	03-01-2021	WES TAO

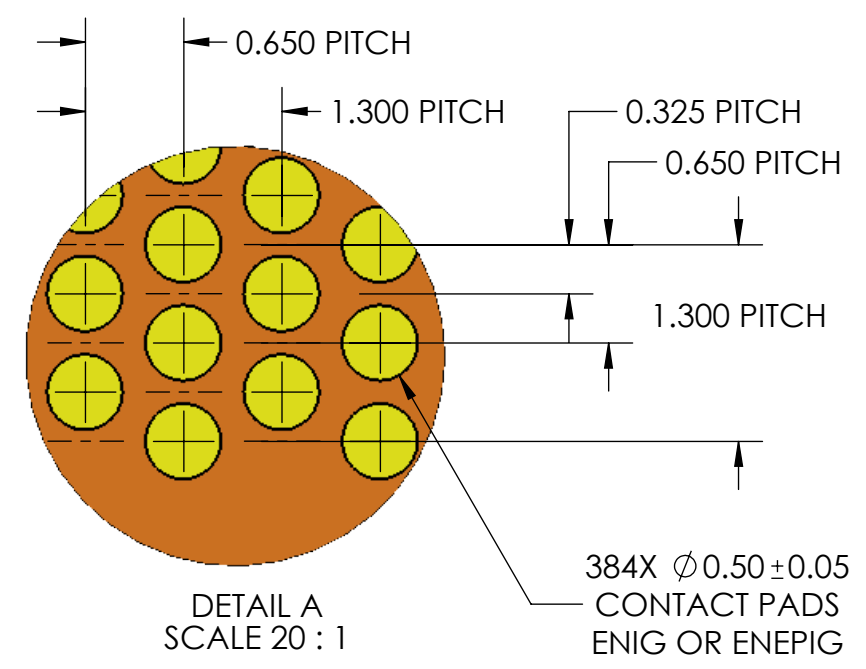
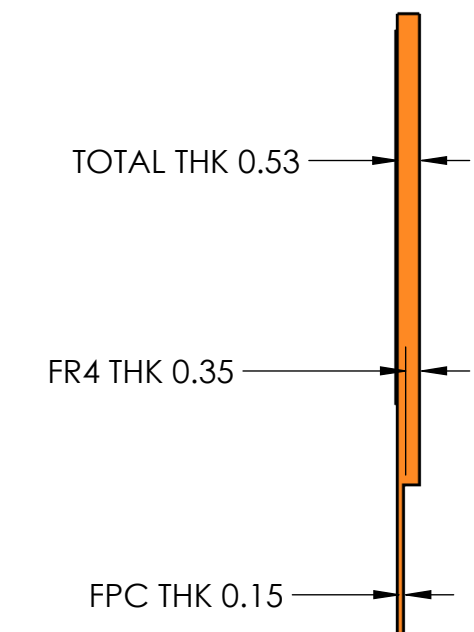
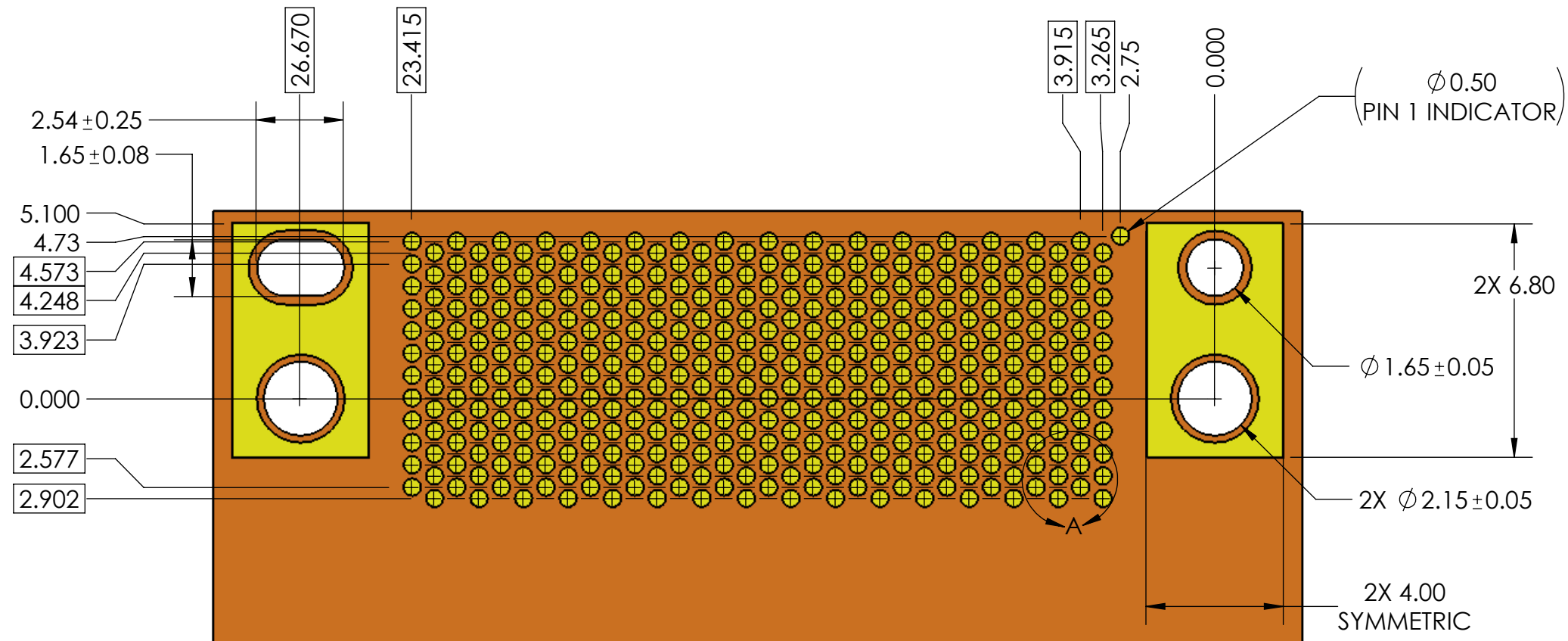


- NOTES:
- IF THE VIA NEEDS TO BE LOCATED WITHIN THE 0.60MM PAD DIAMETER, IT MUST BE FILLED, PLATED, AND PLANARIZED WITH 25UM MAX DIMPLE.
 - SOLDERMASK APPLICATION IS NOT PERMITTED IN THE ARRAY AREA. IF APPLIED ON THE PERIMETER IT SHALL NOT PROTRUDE MORE THAN 0.03MM ABOVE THE SURFACE OF THE MATING PADS

<p>4020 MOORPARK AVENUE #108 SAN JOSE, CA 95117 USA TEL: 408-530-9393 FAX: 408-530-9383</p>	<p>DIMENSIONS ARE IN MM</p> <p>.X ± 0.13</p> <p>.XX ± 0.08</p> <p>.XXX ± 0.025</p> <p>ANGLE: NO DEC ± 1</p> <p> .X ± 0.5</p> <p> .XX ± 0.25</p> <p>THIRD ANGLE</p>	<p>MATERIAL: SEE NOTES</p> <p>FINISH:</p> <p>DRAWN BY: W.B.LONG 09-30-2019</p> <p>CHECKED BY:</p> <p>ENGR APPR:</p> <p>MFG APPR:</p> <p>QA APPR:</p>	<p>TITLE: RECOMMENDED PCB LAYOUT SPH2-SC384A</p> <p>DWG NUMBER: SPH2-SC384A-PCB</p> <p>REV: B</p> <p>SCALE: 6:1</p> <p>SHEET 3 OF 4</p>	
	<p>SIZE: B+</p>	<p>DATE: 09-30-2019</p>	<p>SCALE: 6:1</p>	<p>REV: B</p>
	<p>DATE: 09-30-2019</p>	<p>SCALE: 6:1</p>	<p>REV: B</p>	<p>SHEET 3 OF 4</p>
	<p>DATE: 09-30-2019</p>	<p>SCALE: 6:1</p>	<p>REV: B</p>	<p>SHEET 3 OF 4</p>

- PROPRIETARY INFORMATION -
NO USE OR REPRODUCTION MAY BE MADE OF
THIS DOCUMENT WITHOUT EXPRESS WRITTEN
PERMISSION OF NEOCONIX.

REVISION				
REV	ECN	DESCRIPTION	DATE	APPROVED
A	1263	PRODUCTION RELEASE	12-10-2019	WES TAO
B	1285	INCREASE MOUNTING HOLES	03-01-2021	WES TAO



- NOTES:
- IF THE VIA NEEDS TO BE LOCATED WITHIN THE 0.50MM PAD DIAMETER, IT MUST BE FILLED, PLATED, AND PLANARIZED WITH 25UM MAX DIMPLE.
 - SOLDERMASK APPLICATION IS NOT PERMITTED IN THE ARRAY AREA. IF APPLIED ON THE PERIMETER IT SHALL NOT PROTRUDE MORE THAN 0.03MM ABOVE THE SURFACE OF THE MATING PADS

<p>4020 MOORPARK AVENUE #108 SAN JOSE, CA 95117 USA TEL: 408-530-9393 FAX: 408-530-9383</p>	DIMENSIONS ARE IN MM .X ± 0.13 .XX ± 0.08 .XXX ± 0.025 ANGLE: NO DEC ± 1 .X ± 0.5 .XX ± 0.25 		MATERIAL: SEE NOTES FINISH: DRAWN BY: W.B.LONG 09-30-2019 CHECKED BY: ENGR APPR: MFG APPR: QA APPR:		TITLE: RECOMMENDED FPC LAYOUT SPH2-SC384A DWG NUMBER: SPH2-SC384A-FPC REV: B SCALE: 6:1 SHEET 4 OF 4	
	THIRD ANGLE		SIZE: B+		REV: B	