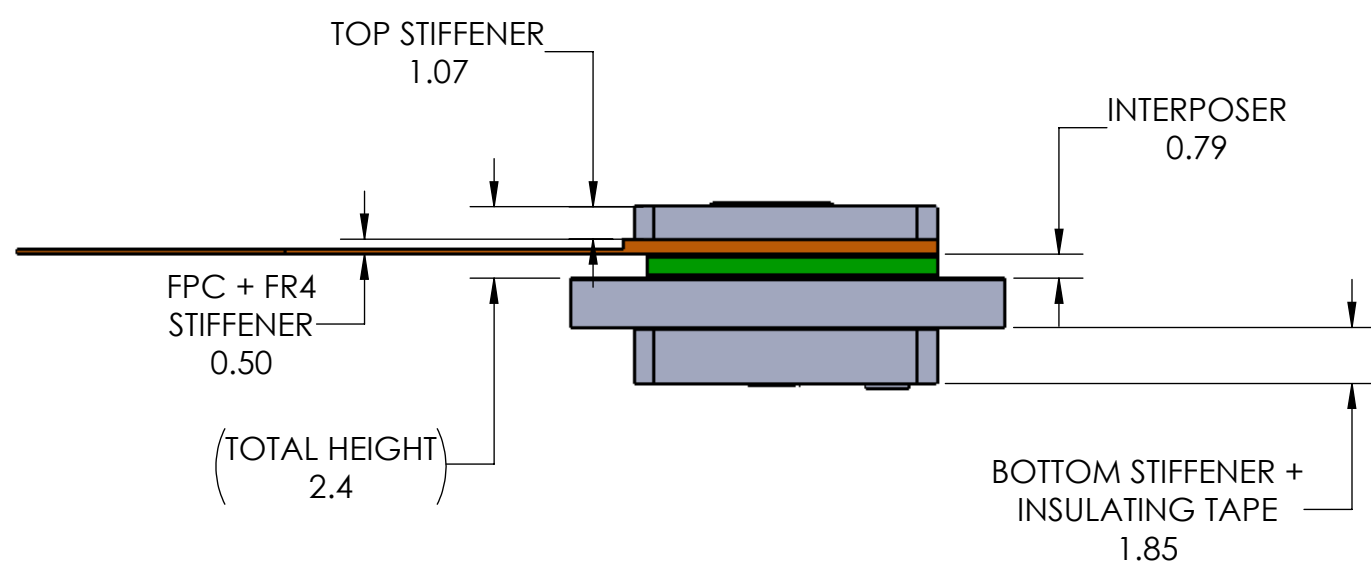
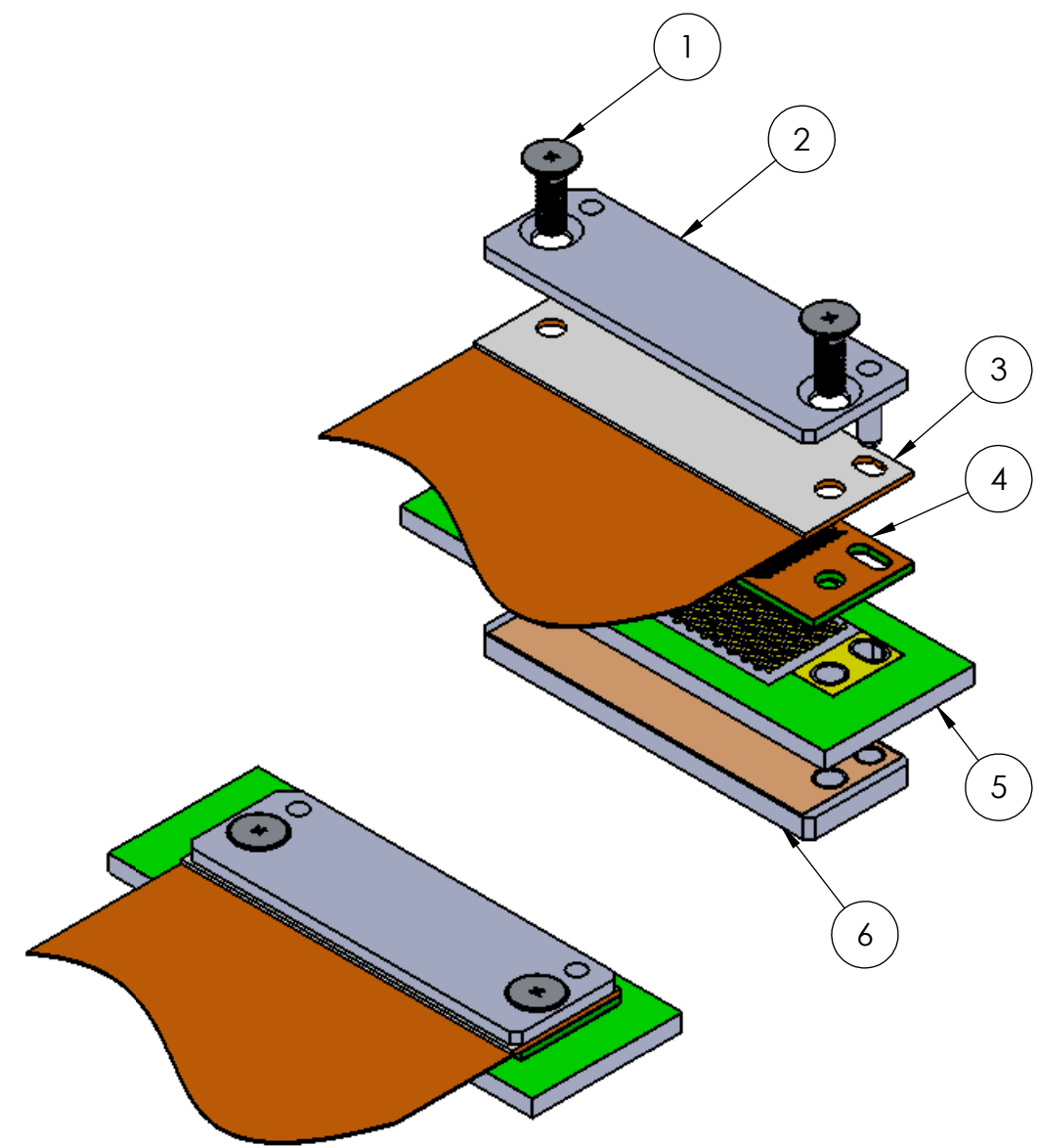
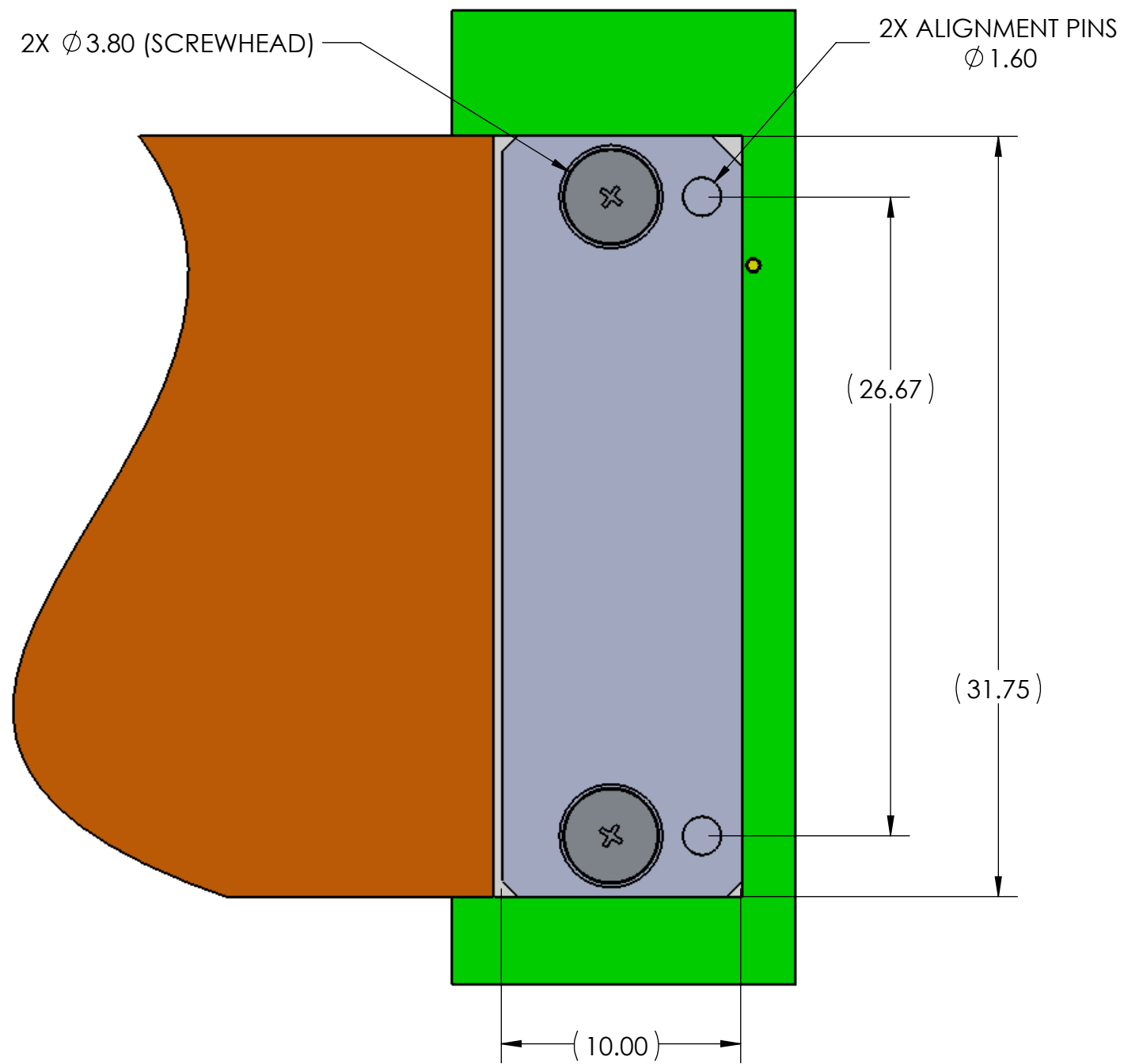


- PROPRIETARY INFORMATION -
NO USE OR REPRODUCTION MAY BE MADE OF
THIS DOCUMENT WITHOUT EXPRESS WRITTEN
PERMISSION OF NEOCONIX.

REV	ECN	DESCRIPTION	DATE	APPROVED
A	1263	PRODUCTION RELEASE	12-10-2019	WES TAO



ITEM	DESCRIPTION	NEOCONIX P/N	QTY PER ASSY
1	M2 FLATHEAD SCREW	VARIOUS *	2
2	TOP STIFFENER	B01-000625-Lxxx *	1
3	FPC	CUSTOM UPON REQUEST	1
4	INTERPOSER	SPH2-SC384A	1
5	PCB	N/A - CUSTOMER SUPPLIED	1
6	BOTTOM STIFFENER	B01-000629	1

* SEE AS-000034 FOR VARIOUS PART NUMBER
OPTIONS BASED ON ASSEMBLY THICKNESS STACKUP.
ALL ITEMS ORDERED SEPARATELY.

4020 MOORPARK AVENUE #108
SAN JOSE, CA 95117 USA
TEL: 408-530-9393 FAX: 408-530-9383

DIMENSIONS ARE IN
MM [INCH]

.X ±
.XX ±
.XXX ±
ANGLE: NO DEC ±
.X ±
.XX ±

THIRD ANGLE

MATERIAL: SEE NOTES

FINISH:

DRAWN BY: W.B.LONG 09-30-2019

CHECKED BY:

ENGR APPR:

MFG APPR:

QA APPR:

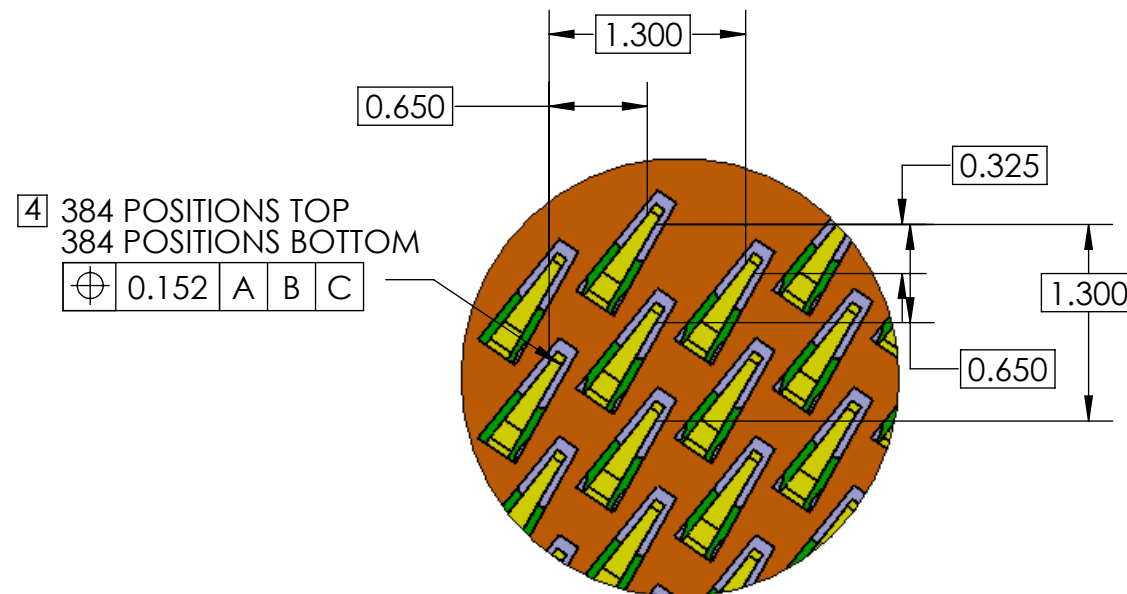
TITLE: SPH2 ASSEMBLY
384 POSITIONS LGA-LGA

SIZE: B+ DWG NUMBER: SPH2-SC384A-ASY REV: A

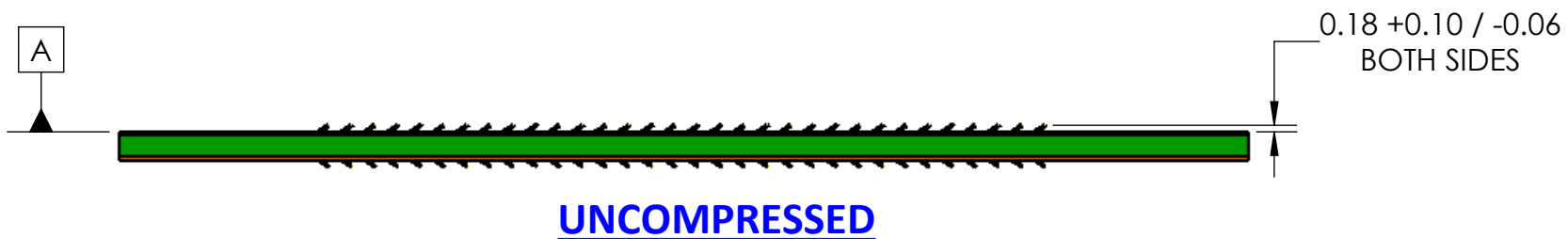
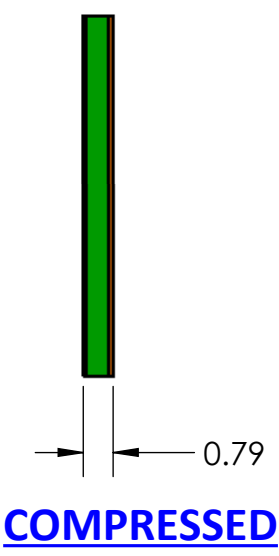
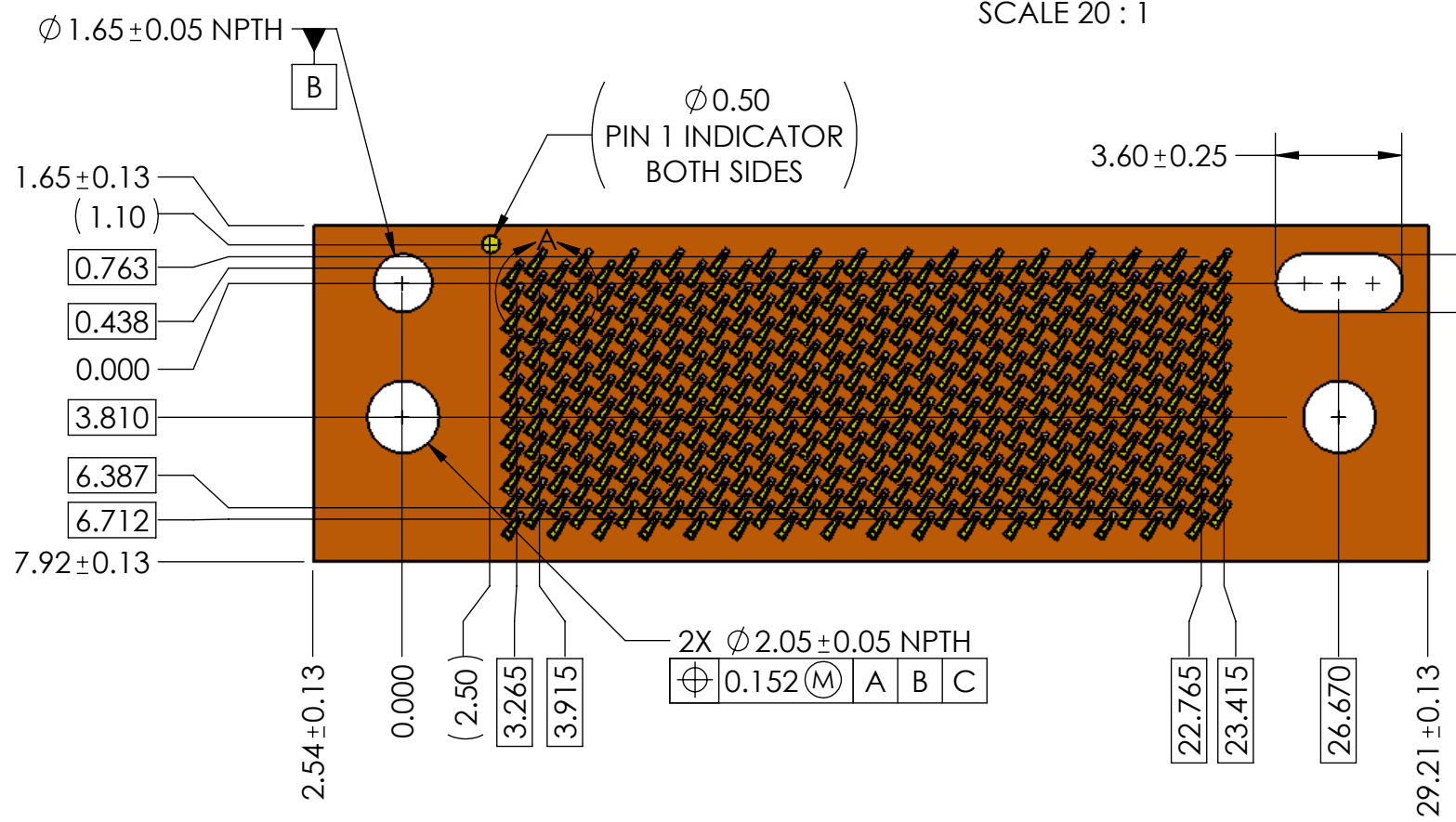
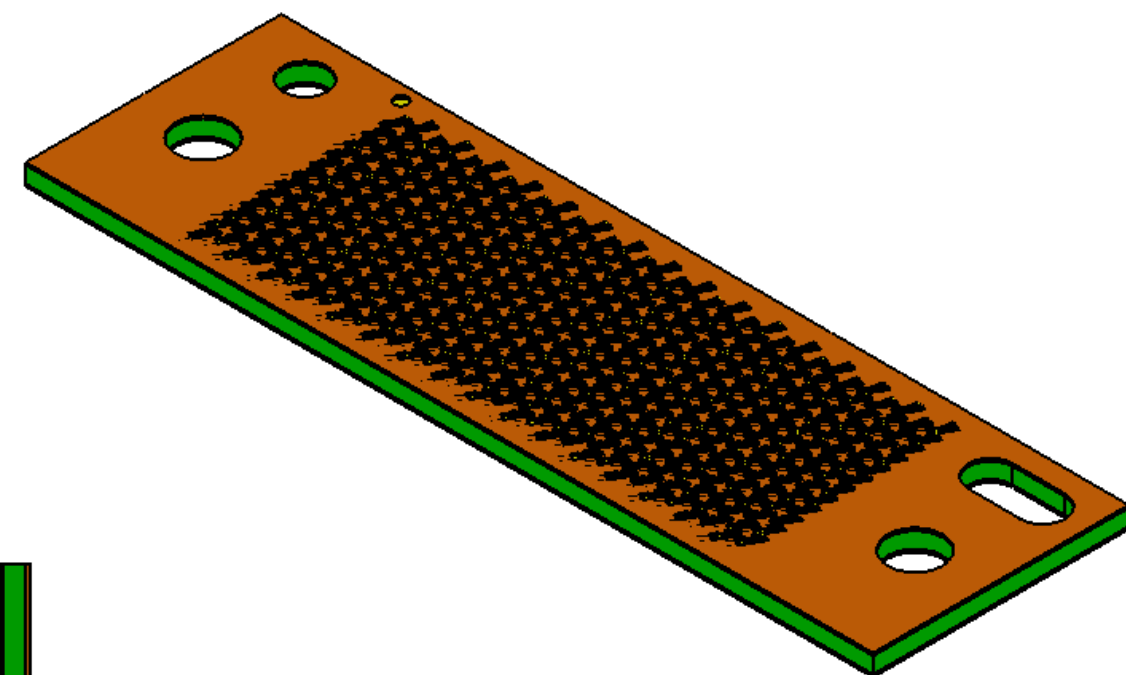
SCALE: 4:1 SHEET 1 OF 4

- PROPRIETARY INFORMATION -
NO USE OR REPRODUCTION MAY BE MADE OF
THIS DOCUMENT WITHOUT EXPRESS WRITTEN
PERMISSION OF NEOCONIX.

REVISION				
REV	ECN	DESCRIPTION	DATE	APPROVED
A	1263	PRODUCTION RELEASE	12-10-2019	WES TAO



DETAIL A
SCALE 20:1



NOTES (UNLESS OTHERWISE SPECIFIED):

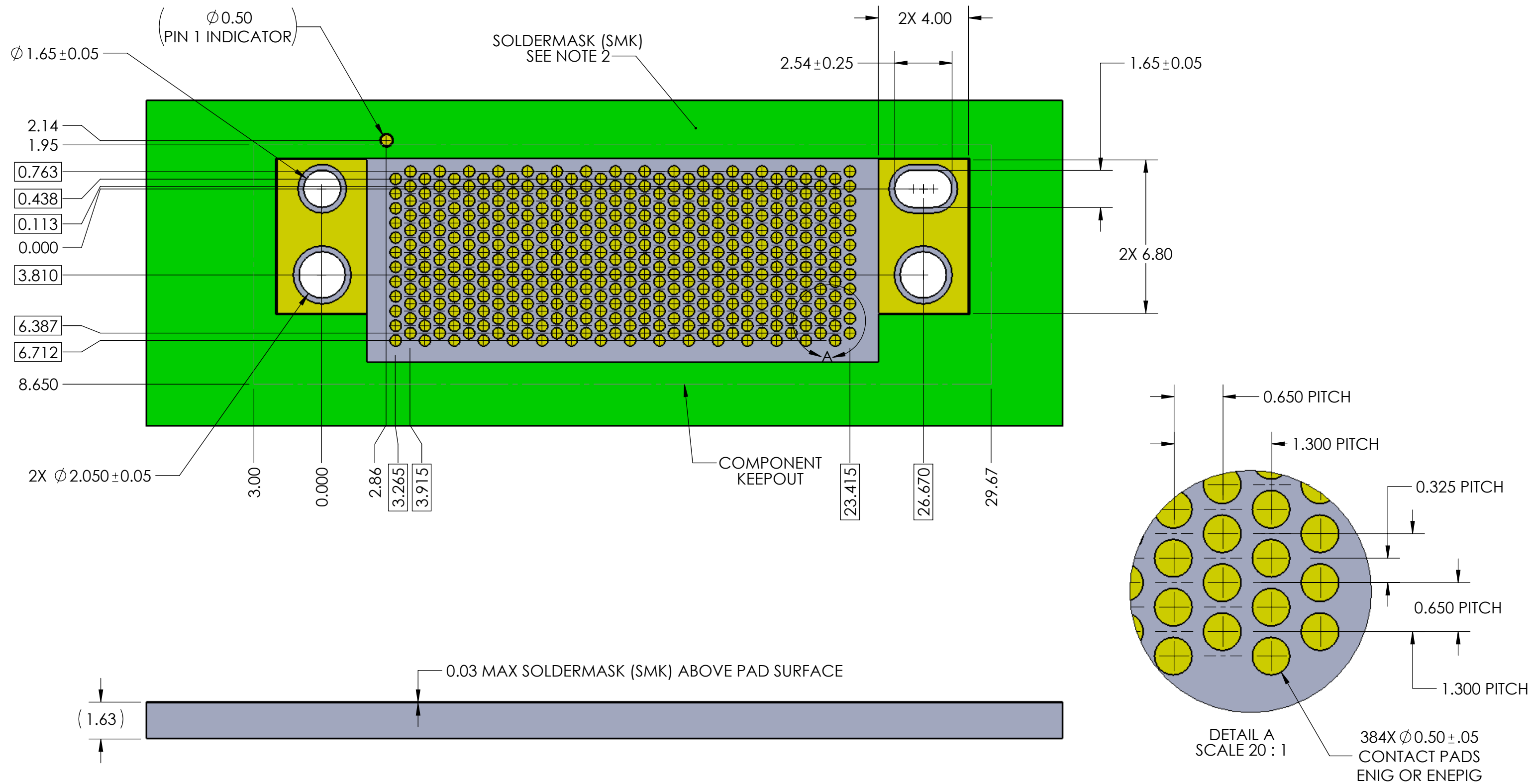
1. INTERPRET DRAWING PER ASME Y14.5M-1994.
2. HALOGEN-FREE PER IPC-4101B.
3. COMPLIANT WITH RoHS DIRECTIVE 2011/65/EU.

4 CENTER MARKS OF CONTACT POSITIONS ARE FOR COMPRESSED STATE

<p>4020 MOORPARK AVENUE #108 SAN JOSE, CA 95117 USA TEL: 408-530-9393 FAX: 408-530-9383</p>	<p>DIMENSIONS ARE IN MM [INCH]</p> <p>.X ± 0.13 .XX ± 0.08 .XXX ± 0.025</p> <p>ANGLE: NO DEC ± 2 DEGREE</p> <p>.X ± .XX ±</p> <p>THIRD ANGLE</p>	<p>MATERIAL: SEE NOTES</p> <p>FINISH:</p> <p>DRAWN BY: W.B.LONG 09-30-2019</p> <p>CHECKED BY:</p> <p>ENGR APPR:</p> <p>MFG APPR:</p> <p>QA APPR:</p>	<p>TITLE: SPH2 INTERPOSER 384 POS LGA-LGA</p> <p>SIZE: B+</p> <p>DWG NUMBER: SPH2-SC384A</p> <p>SCALE: 5:1</p>	
	<p>REV A</p>	<p>DATE: 12-10-2019</p>	<p>APPROVED: WES TAO</p>	<p>SHEET 2 OF 4</p>
	<p>REV A</p>	<p>DATE: 12-10-2019</p>	<p>APPROVED: WES TAO</p>	<p>SHEET 2 OF 4</p>
	<p>REV A</p>	<p>DATE: 12-10-2019</p>	<p>APPROVED: WES TAO</p>	<p>SHEET 2 OF 4</p>

- PROPRIETARY INFORMATION -
NO USE OR REPRODUCTION MAY BE MADE OF
THIS DOCUMENT WITHOUT EXPRESS WRITTEN
PERMISSION OF NEOCONIX.

REVISION				
REV	ECN	DESCRIPTION	DATE	APPROVED
A	1263	PRODUCTION RELEASE	12-10-2019	WES TAO



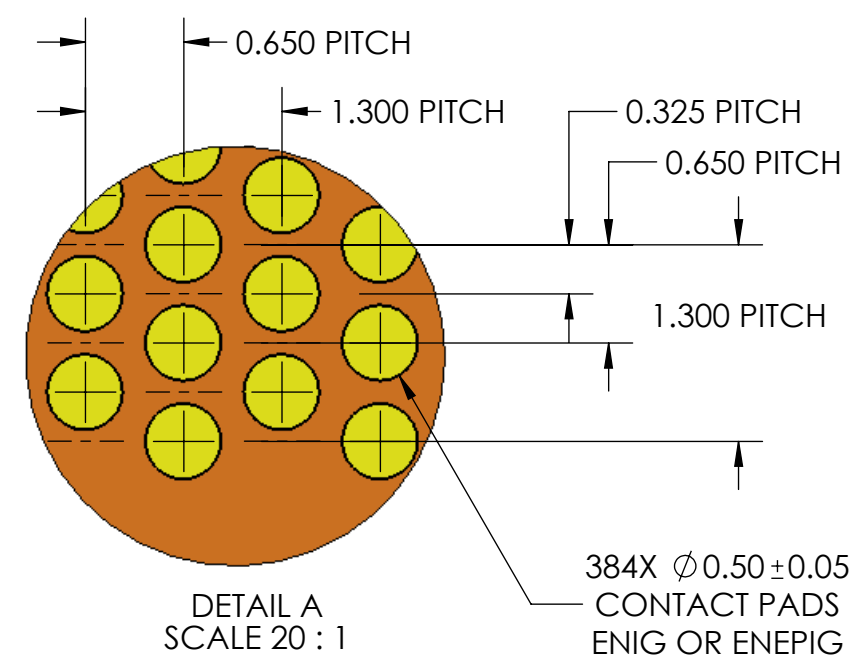
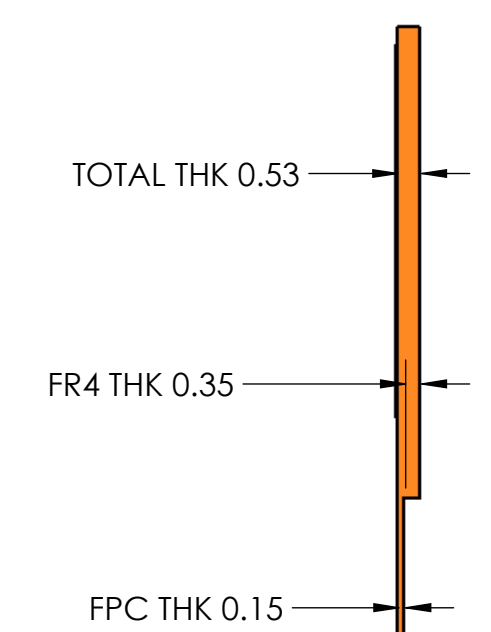
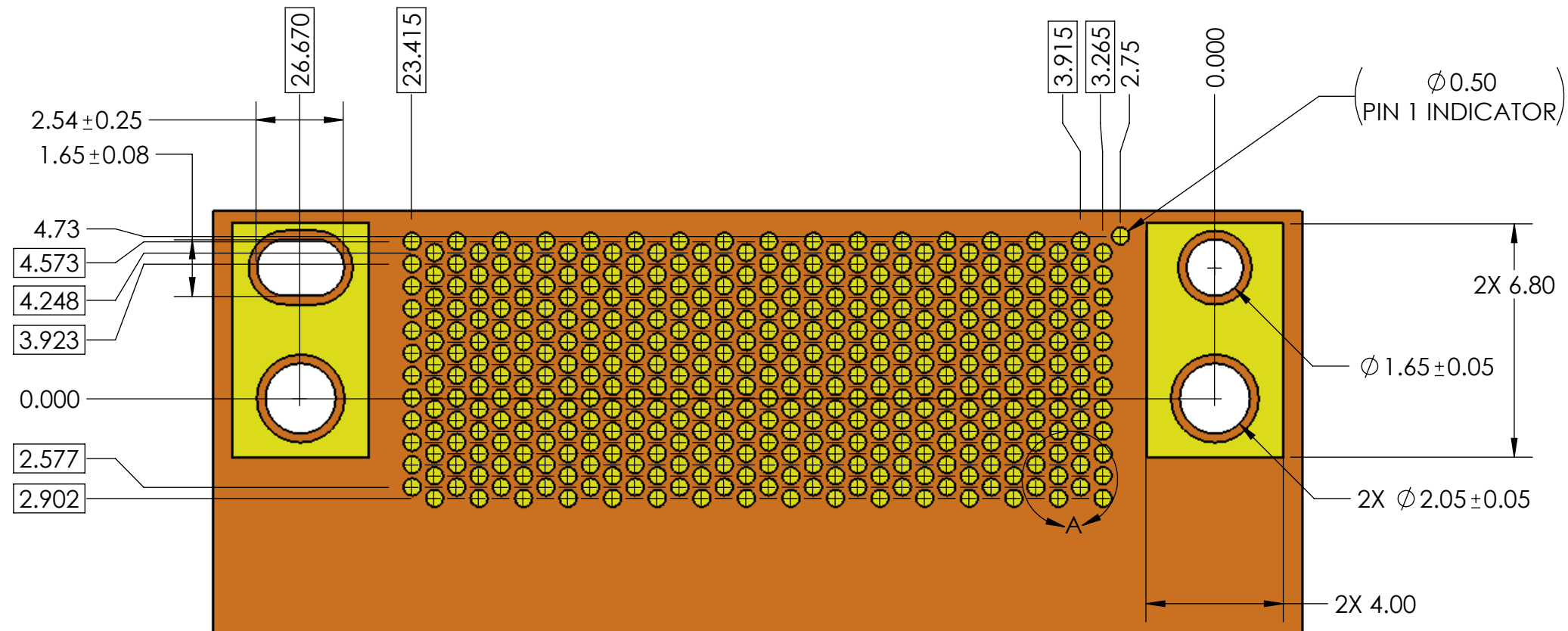
NOTES:

- IF THE VIA NEEDS TO BE LOCATED WITHIN THE 0.60MM PAD DIAMETER, IT MUST BE FILLED, PLATED, AND PLANARIZED WITH 25UM MAX DIMPLE.
- SOLDERMASK APPLICATION IS NOT PERMITTED IN THE ARRAY AREA. IF APPLIED ON THE PERIMETER IT SHALL NOT PROTRUDE MORE THAN 0.03MM ABOVE THE SURFACE OF THE MATING PADS

		DIMENSIONS ARE IN MM [INCH]		MATERIAL: SEE NOTES		TITLE: RECOMMENDED PCB LAYOUT SPH2-SC384A	
4020 MOORPARK AVENUE #108 SAN JOSE, CA 95117 USA TEL: 408-530-9393 FAX: 408-530-9383		FINISH:		DRAWN BY: W.B.LONG 09-30-2019		SIZE: B+	
.X ± .XX ± .XXX ±		ANGLE: NO DEC ± .X ± .XX ±		CHECKED BY:		DWG NUMBER:	
		ENGR APPR:		MFG APPR:		REV: A	
QA APPR:		SCALE: 6:1		SHEET 3 OF 4		REV: A	

- PROPRIETARY INFORMATION -
NO USE OR REPRODUCTION MAY BE MADE OF
THIS DOCUMENT WITHOUT EXPRESS WRITTEN
PERMISSION OF NEOCONIX.

REVISION				
REV	ECN	DESCRIPTION	DATE	APPROVED
A	1263	PRODUCTION RELEASE	12-10-2019	WES TAO



- NOTES:
- IF THE VIA NEEDS TO BE LOCATED WITHIN THE 0.50MM PAD DIAMETER, IT MUST BE FILLED, PLATED, AND PLANARIZED WITH 25UM MAX DIMPLE.
 - SOLDERMASK APPLICATION IS NOT PERMITTED IN THE ARRAY AREA. IF APPLIED ON THE PERIMETER IT SHALL NOT PROTRUDE MORE THAN 0.03MM ABOVE THE SURFACE OF THE MATING PADS

<p>4020 MOORPARK AVENUE #108 SAN JOSE, CA 95117 USA TEL: 408-530-9393 FAX: 408-530-9383</p>	DIMENSIONS ARE IN MM [INCH]		MATERIAL: SEE NOTES		TITLE: RECOMMENDED FPC LAYOUT SPH2-SC384A	
	FINISH:		DRAWN BY: W.B.LONG 09-30-2019		SIZE: B+	
	CHECKED BY:		ENGR APPR:		DWG NUMBER: SPH2-SC384A-FPC	
	ANGLE: NO DEC ± .X ± .XX ± .XXX ±		MFG APPR:		REV: A	
THIRD ANGLE		QA APPR:		SCALE: 6:1		SHEET 4 OF 4