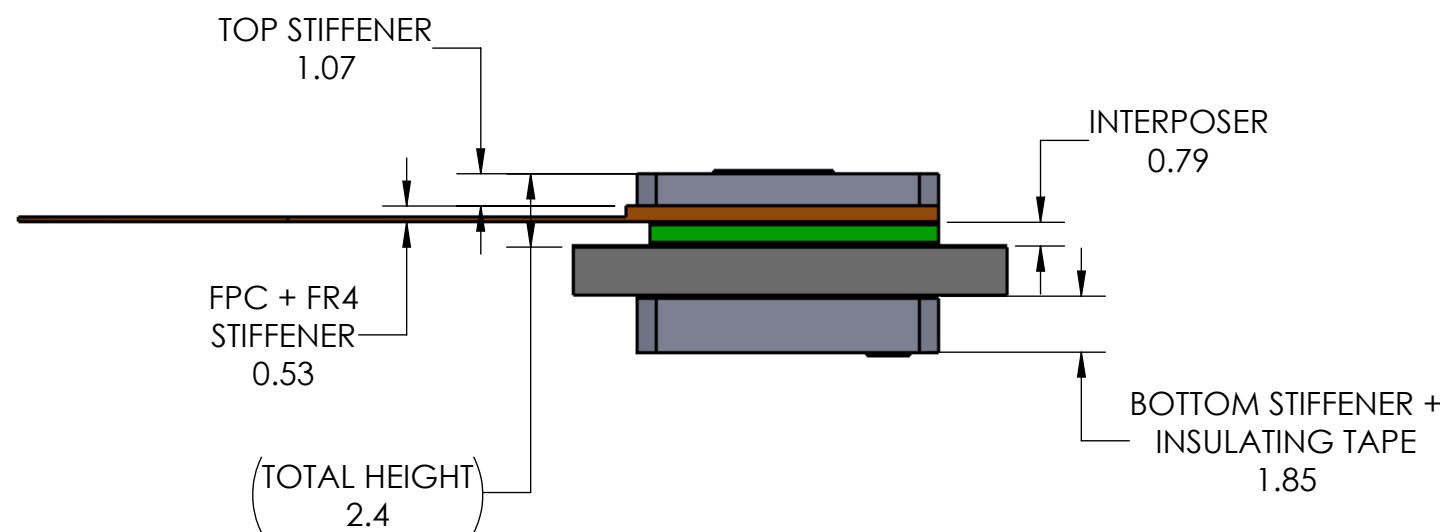
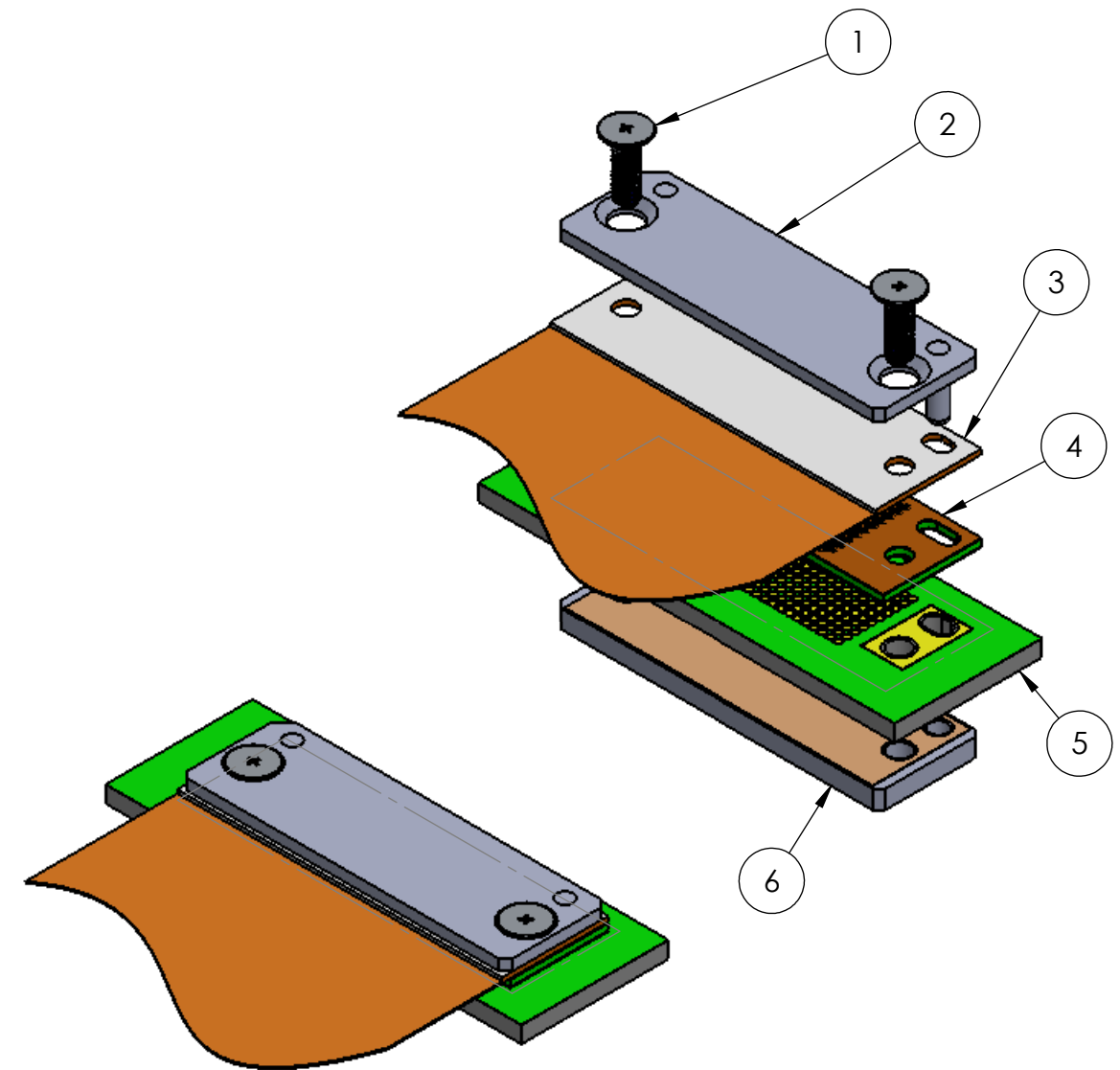
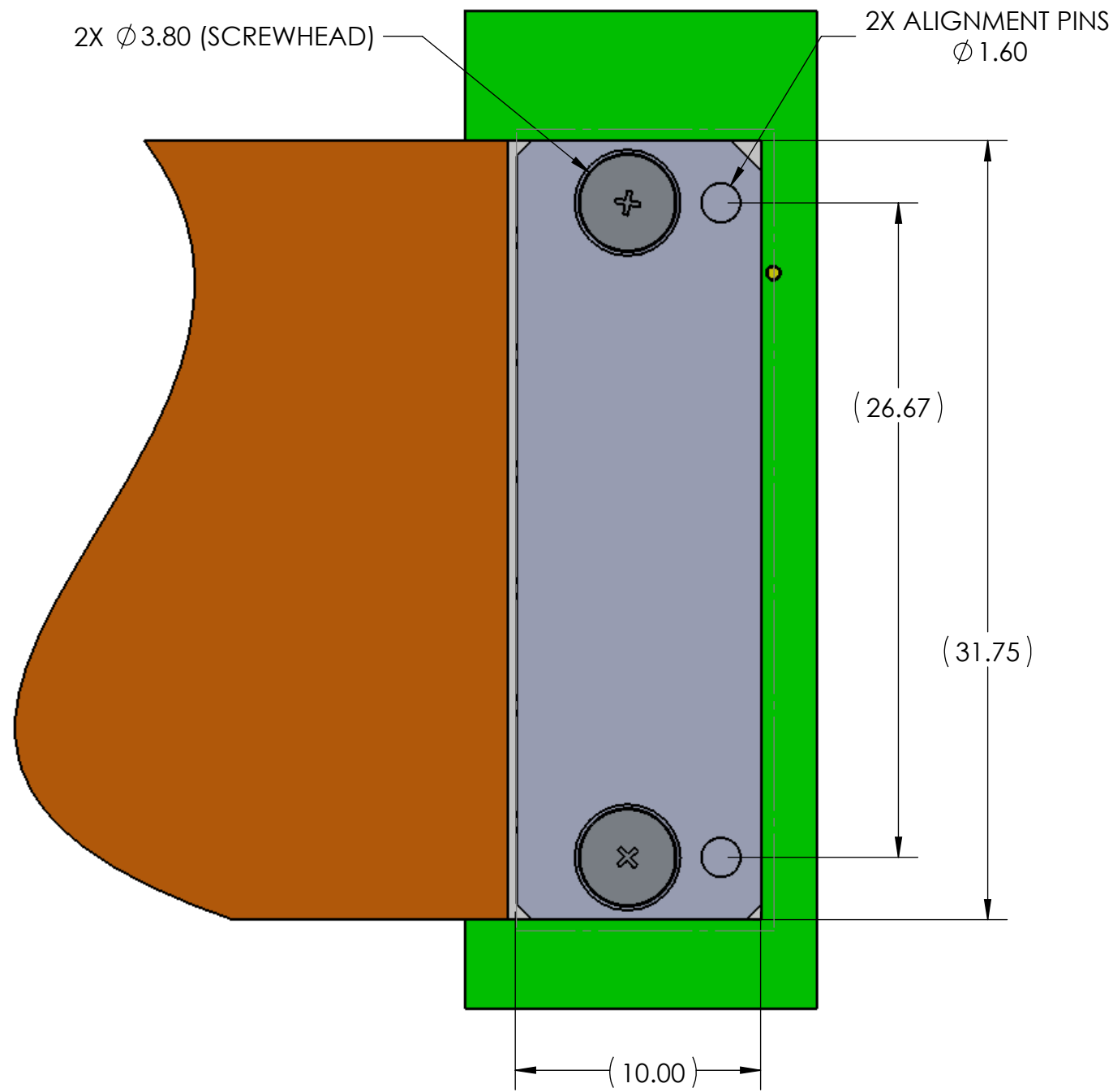


- PROPRIETARY INFORMATION -
NO USE OR REPRODUCTION MAY BE MADE OF
THIS DOCUMENT WITHOUT EXPRESS WRITTEN
PERMISSION OF NEOCONIX.

REVISIONS				
REV	ECN	DESCRIPTION	DATE	APPROVED
A	1263	PRODUCTION RELEASE	12-10-2019	WES TAO



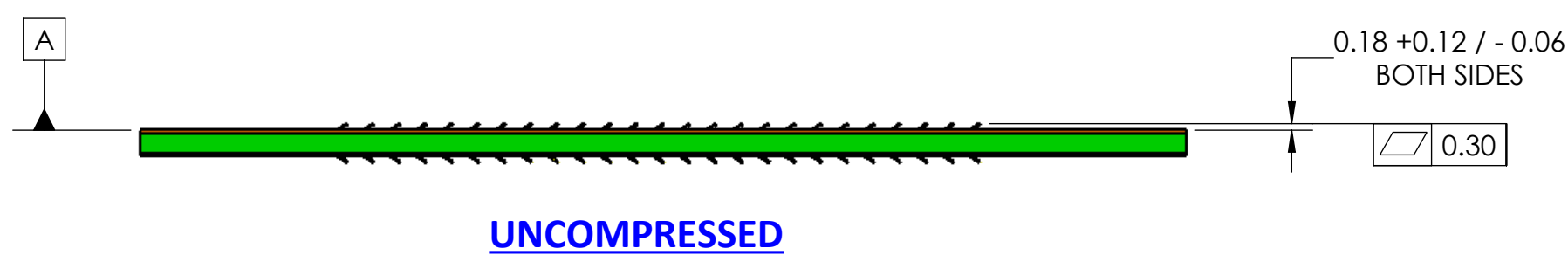
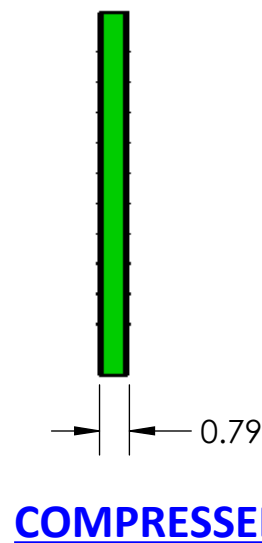
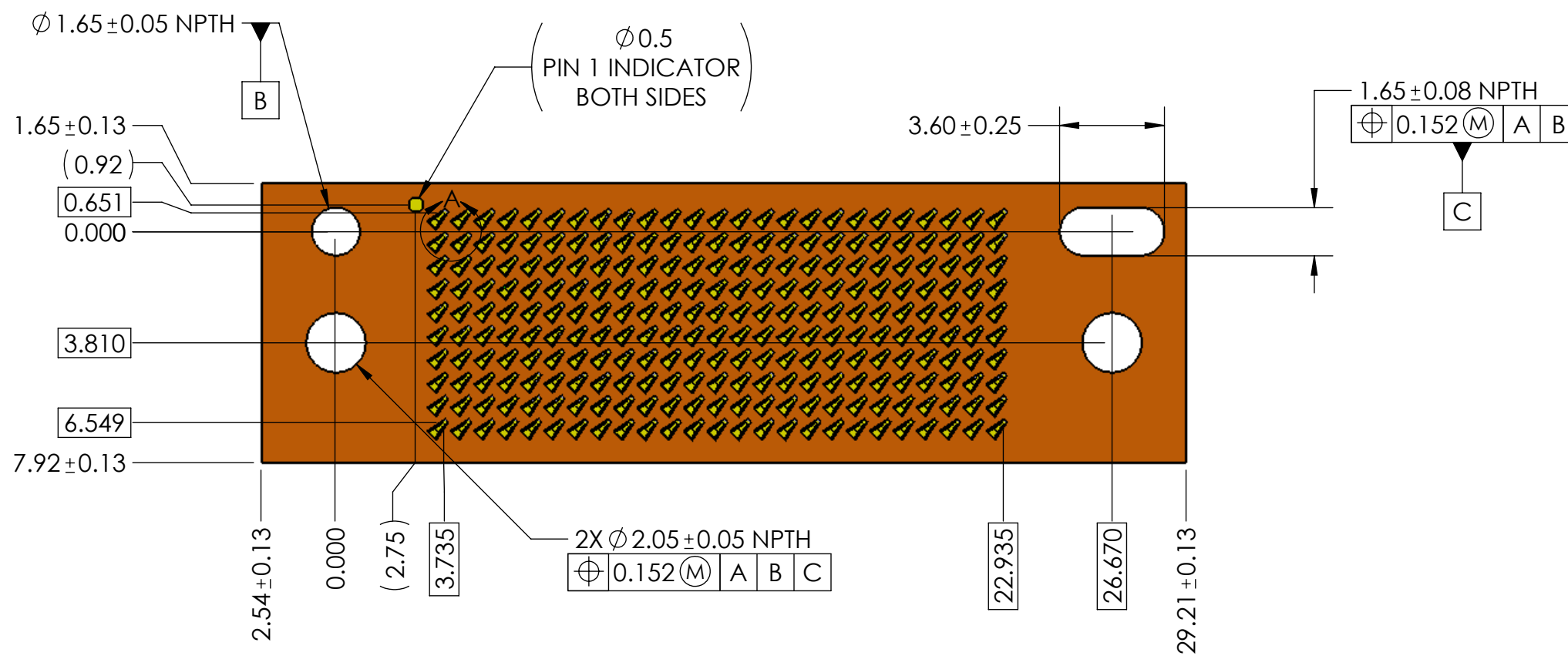
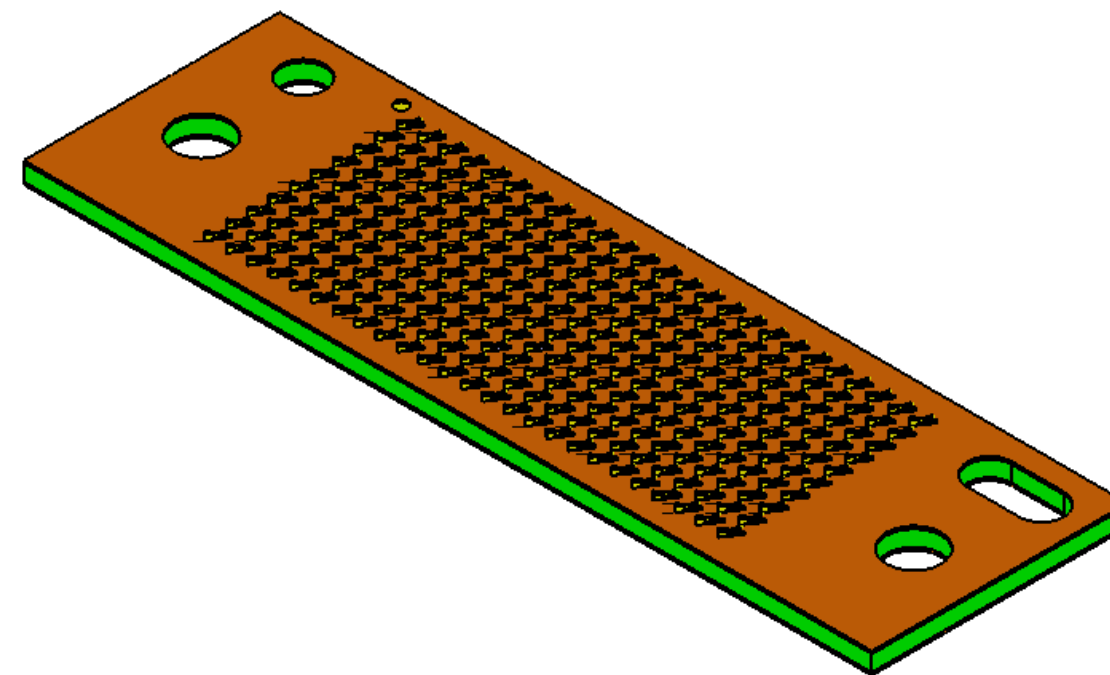
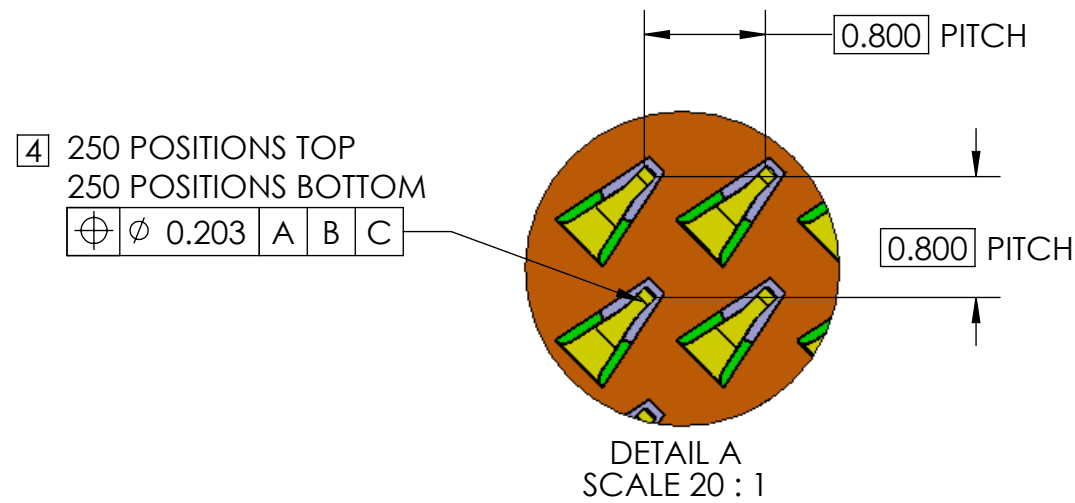
ITEM	DESCRIPTION	NEOCONIX P/N	QTY PER ASSY
1	M2 FLATHEAD SCREW	VARIOUS *	2
2	TOP STIFFENER	B01-000625-Lxxx *	1
3	FPC	CUSTOM UPON REQUEST	1
4	INTERPOSER	SPH2-SC250A	1
5	PCB	N/A - CUSTOMER SUPPLIED	1
6	BOTTOM STIFFENER	B01-000629	1

* SEE AS-000034 FOR VARIOUS PART NUMBER
OPTIONS BASED ON ASSEMBLY THICKNESS STACKUP.
ALL ITEMS ORDERED SEPARATELY.

<p>4020 MOORPARK AVENUE #108 SAN JOSE, CA 95117 USA TEL: 408-530-9393 FAX: 408-530-9383</p>	DIMENSIONS ARE IN MM [INCH] .X ± .XX ± .XXX ± ANGLE: NO DEC ± .X ± .XX ±	MATERIAL: SEE NOTES FINISH: <input checked="" type="checkbox"/>	TITLE: SPH2 ASSEMBLY 250 POSITIONS LGA-LGA	
	DRAWN BY: W.B.LONG 08-08-2019 CHECKED BY: ENGR APPR: MFG APPR: QA APPR:	SIZE: B+ DWG NUMBER: SPH2-SC250A-ASY REV: A	SCALE: 4:1 SHEET 1 OF 4	
	THIRD ANGLE			

- PROPRIETARY INFORMATION -
NO USE OR REPRODUCTION MAY BE MADE OF
THIS DOCUMENT WITHOUT EXPRESS WRITTEN
PERMISSION OF NEOCONIX.

REVISIONS				
REV	ECN	DESCRIPTION	DATE	APPROVED
A	1263	PRODUCTION RELEASE	12-10-2019	WES TAO



NOTES (UNLESS OTHERWISE SPECIFIED):

1. INTERPRET DRAWING PER ASME Y14.5M-1994.
2. HALOGEN-FREE PER IPC-4101B.
3. COMPLIANT WITH RoHS DIRECTIVE 2011/65/EU.

4 CENTER MARKS OF CONTACT POSITIONS ARE FOR COMPRESSED STATE

neconix
4020 MOORPARK AVENUE #108
SAN JOSE, CA 95117 USA
TEL: 408-530-9393 FAX: 408-530-9383

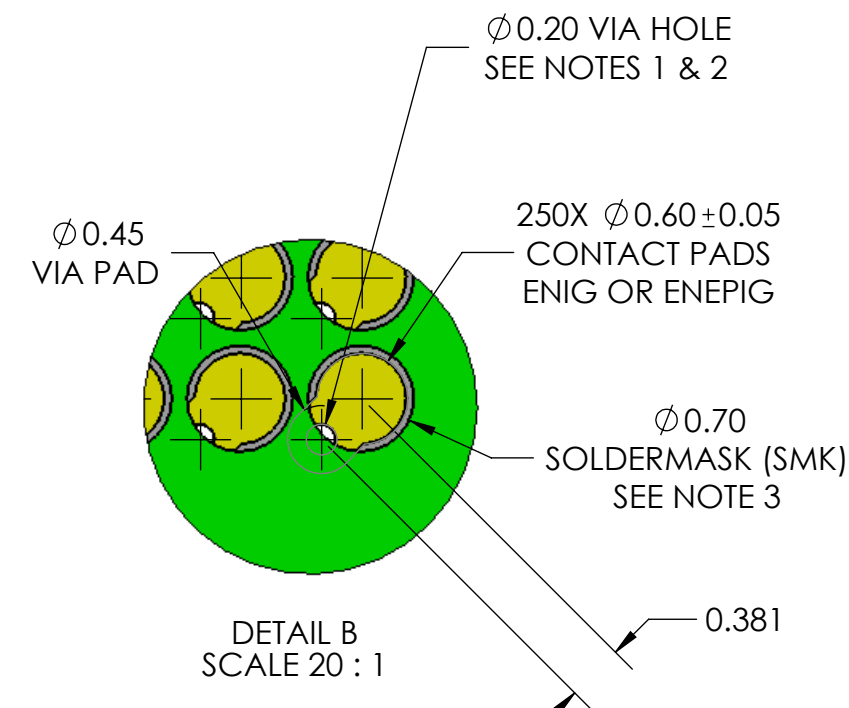
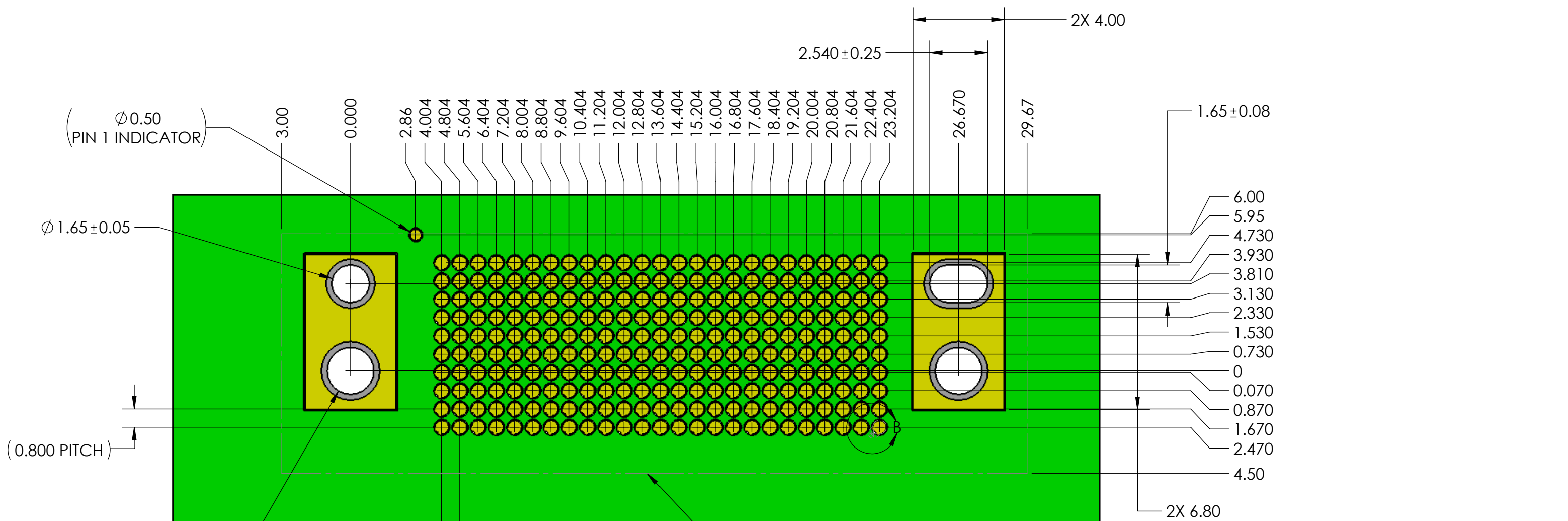
DIMENSIONS ARE IN MM
.X \pm 0.13
.XX \pm 0.08
.XXX \pm 0.025
ANGLE: NO DEC \pm 2 DEGREE
X \pm
.XX \pm

MATERIAL: SEE NOTES
FINISH:
DRAWN BY: W.B.LONG 08-01-2019
CHECKED BY:
ENGR APPR:
MFG APPR:
QA APPR:

TITLE:
SPH2 INTERPOSER
250 POSITION LGA - LGA
SIZE: B+
DWG NUMBER:
SPH2-SC250A
SCALE: 5:1
SHEET 2 OF 4

- PROPRIETARY INFORMATION -
NO USE OR REPRODUCTION MAY BE MADE OF
THIS DOCUMENT WITHOUT EXPRESS WRITTEN
PERMISSION OF NEOCONIX.

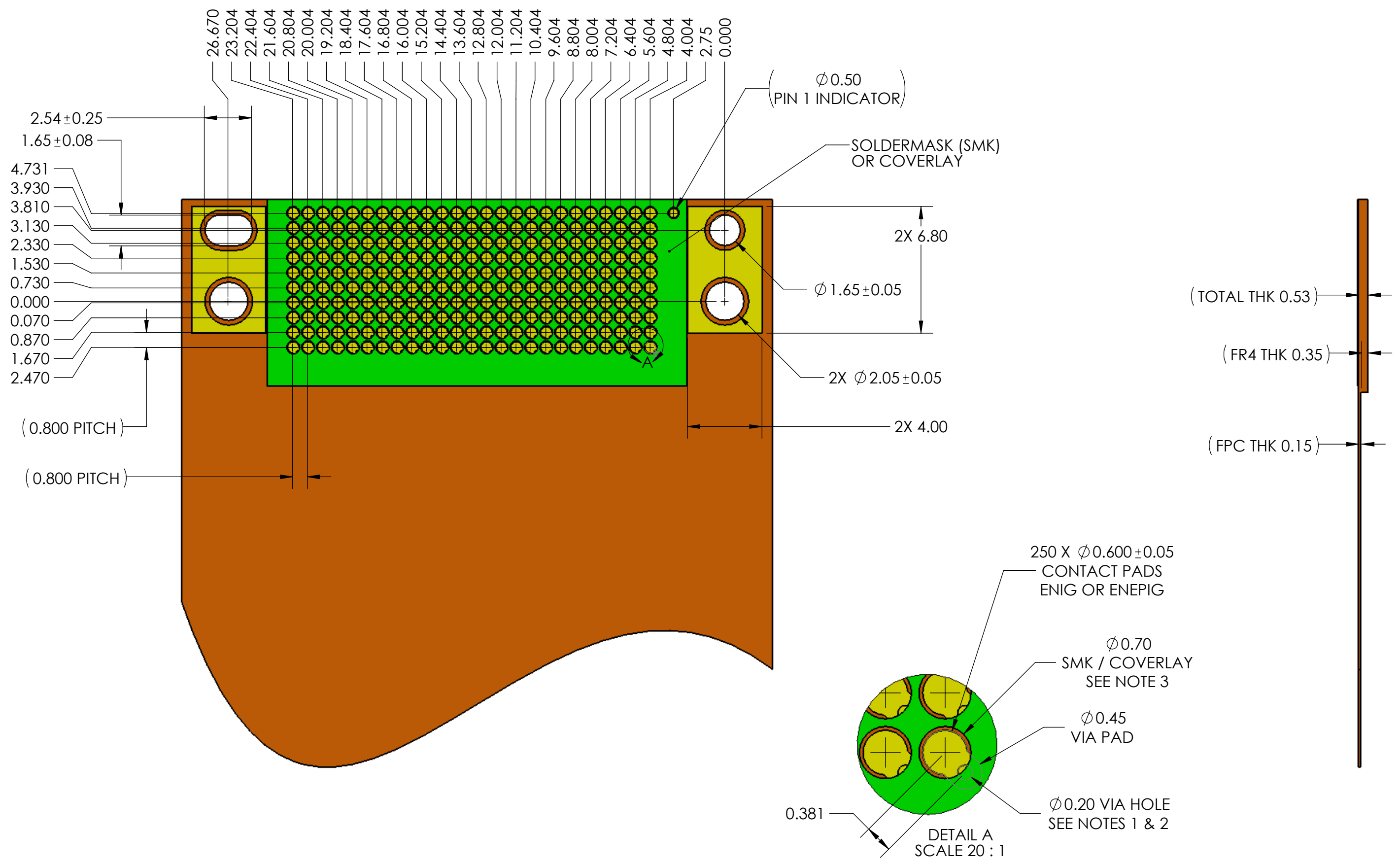
REVISIONS				
REV	ECN	DESCRIPTION	DATE	APPROVED
A	1263	PRODUCTION RELEASE	12-10-2019	WES TAO



- NOTES:
- IT IS ACCEPTABLE TO ROTATE THE POSITION OF THE VIAS AS NEEDED.
 - IF THE VIA NEEDS TO BE LOCATED WITHIN THE 0.60MM PAD DIAMETER, IT MUST BE FILLED, PLATED, AND PLANARIZED WITH 25UM MAX DIMPLE.
 - SOLDERMASK APPLICATION IN THE ARRAY AREA IS OPTIONAL. IF APPLIED, IT SHALL NOT PROTRUDE MORE THAN 0.03MM ABOVE THE SURFACE OF THE MATING PADS.

<p>4020 MOORPARK AVENUE #108 SAN JOSE, CA 95117 USA TEL: 408-530-9393 FAX: 408-530-9383</p>	DIMENSIONS ARE IN MM [INCH] .X ± .XX ± .XXX ± ANGLE: NO DEC ± .X ± .XX ±	MATERIAL: SEE NOTES FINISH: <input checked="" type="checkbox"/> ENIG DRAWN BY: W.B.LONG 08-01-2019 CHECKED BY: ENGR APPR: MFG APPR: QA APPR:	TITLE: RECOMMENDED PCB LAYOUT SPH2-SC250A DWG NUMBER: SPH2-SC250A-PCB SCALE: 6:1
	THIRD ANGLE	SIZE: B+	REV: A
	SHEET 3 OF 4	SHEET 3 OF 4	SHEET 3 OF 4
	SHEET 3 OF 4	SHEET 3 OF 4	SHEET 3 OF 4

REVISIONS				
REV	ECN	DESCRIPTION	DATE	APPROVED
A	1263	PRODUCTION RELEASE	12-10-2019	WES TAO



- NOTES:
- IT IS ACCEPTABLE TO ROTATE THE POSITION OF THE VIAS AS NEEDED.
 - IF THE VIA NEEDS TO BE LOCATED WITHIN THE 0.60MM PAD DIAMETER, IT MUST BE FILLED, PLATED, AND PLANARIZED WITH 25UM MAX DIMPLE.
 - SOLDERMASK APPLICATION IN THE ARRAY AREA IS OPTIONAL. IF APPLIED, IT SHALL NOT PROTRUDE MORE THAN 0.03MM ABOVE THE SURFACE OF THE MATING PADS.

<p>4020 MOORPARK AVENUE #108 SAN JOSE, CA 95117 USA TEL: 408-530-9393 FAX: 408-530-9383</p>	DIMENSIONS ARE IN MM [INCH]	MATERIAL: SEE NOTES	TITLE: RECOMMENDED FPC LAYOUT SPH2-SC250A
	FINISH:	DRAWN BY: W.B.LONG 08-01-2019	SIZE: B+
	CHECKED BY:	ENGR APPR:	DWG NUMBER: SPH2-SC250A-FPC
	ANGLE: NO DEC ± .X ± .XX ± .XXX ±	MFG APPR:	REV: A
THIRD ANGLE	QA APPR:	SCALE: 5:1	SHEET 4 OF 4