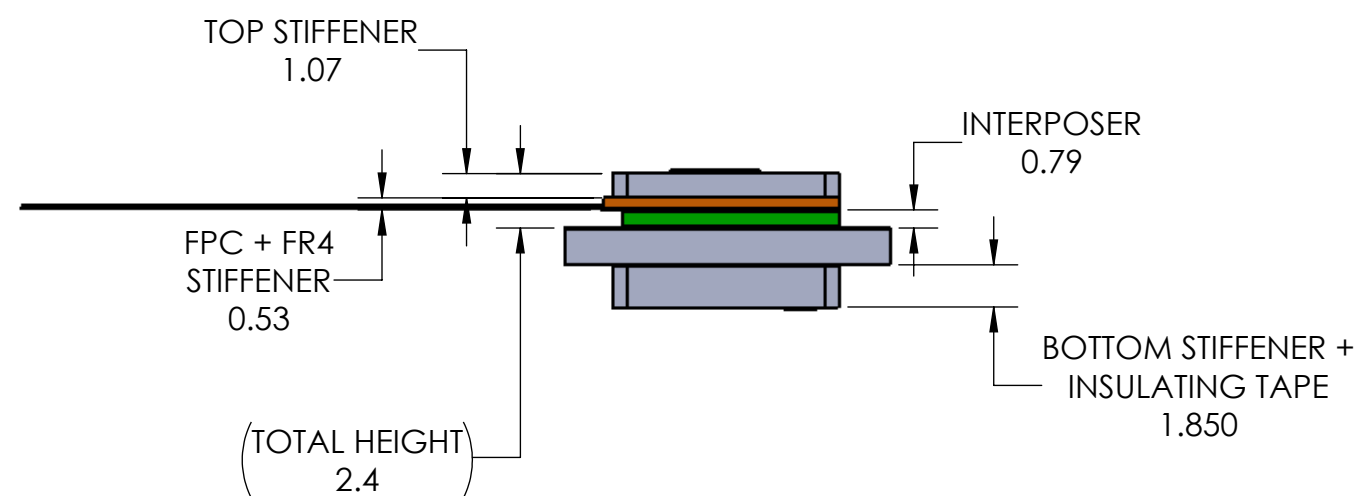
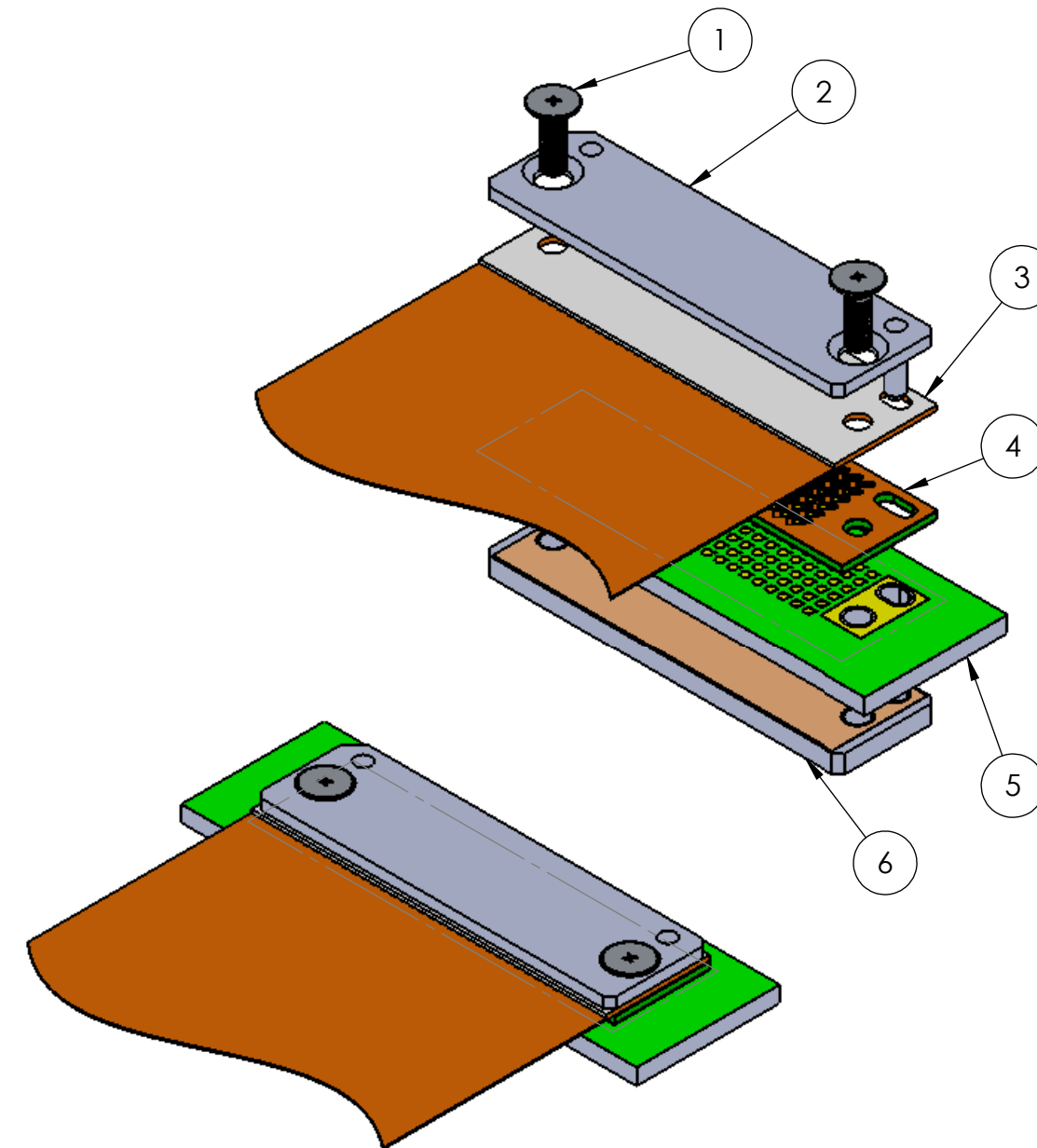
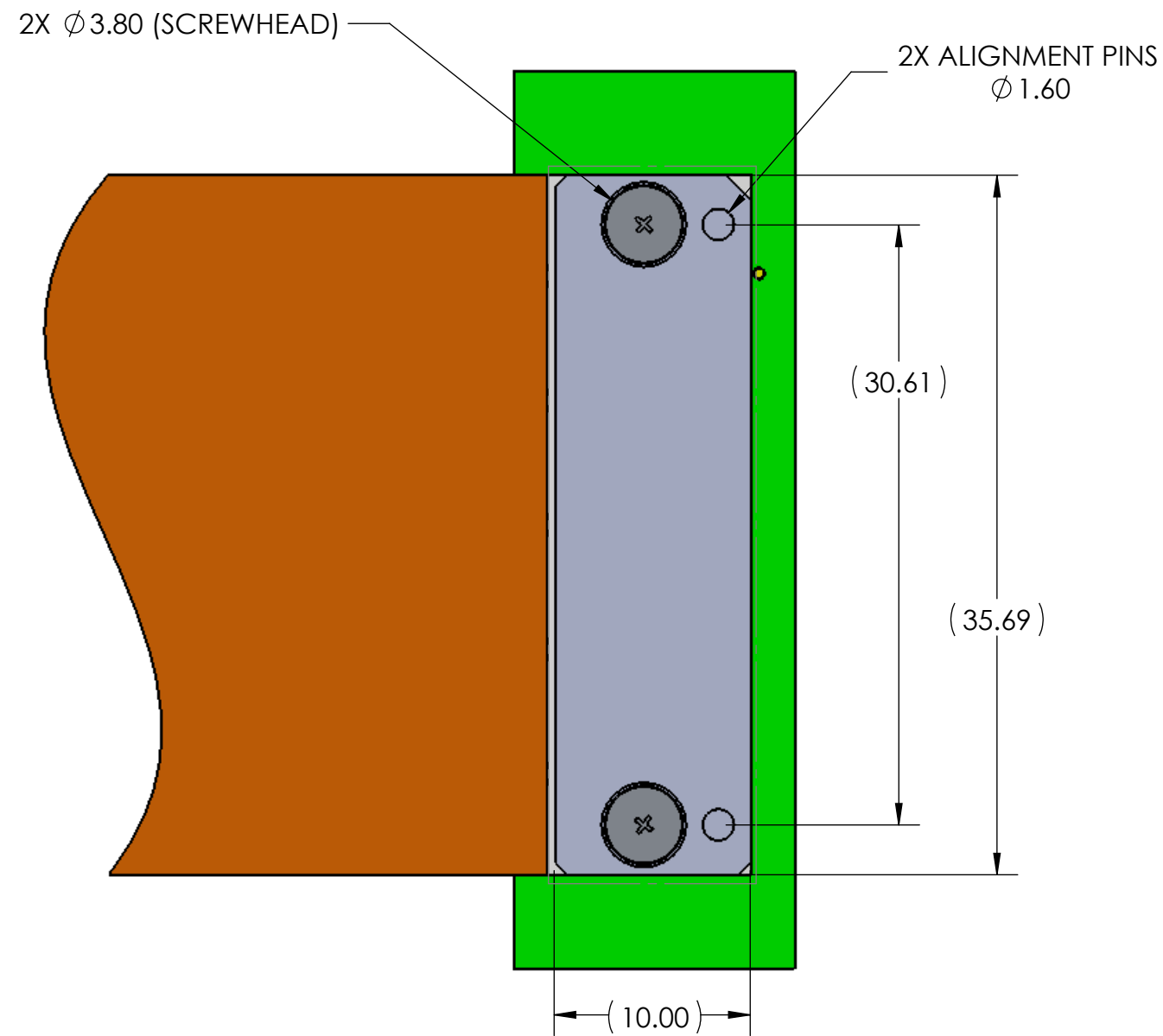


- PROPRIETARY INFORMATION -  
NO USE OR REPRODUCTION MAY BE MADE OF  
THIS DOCUMENT WITHOUT EXPRESS WRITTEN  
PERMISSION OF NEOCONIX.

REVISION				
REV	ECN	DESCRIPTION	DATE	APPROVED
A	1263	PRODUCTION RELEASE	12-10-2019	WES TAO



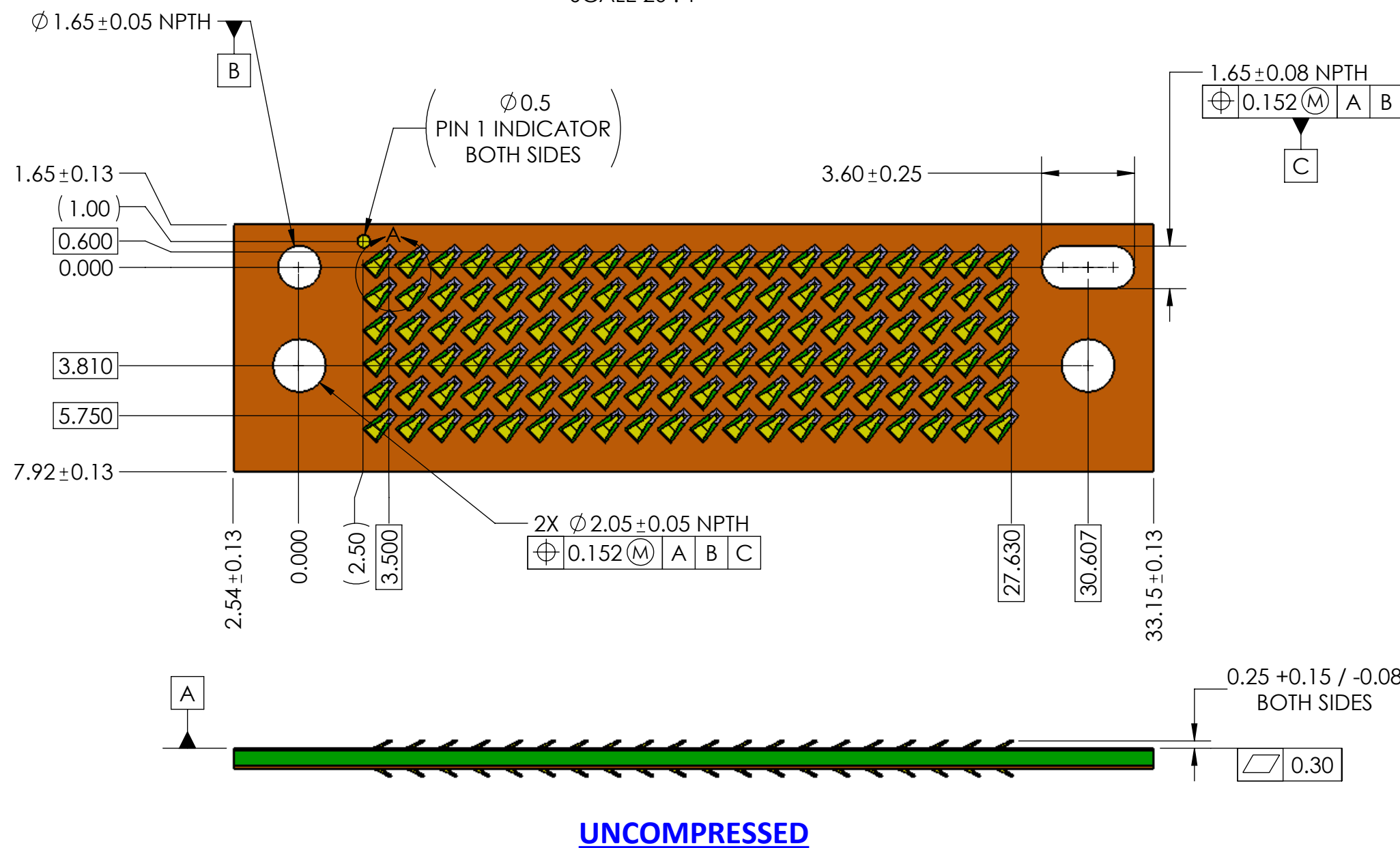
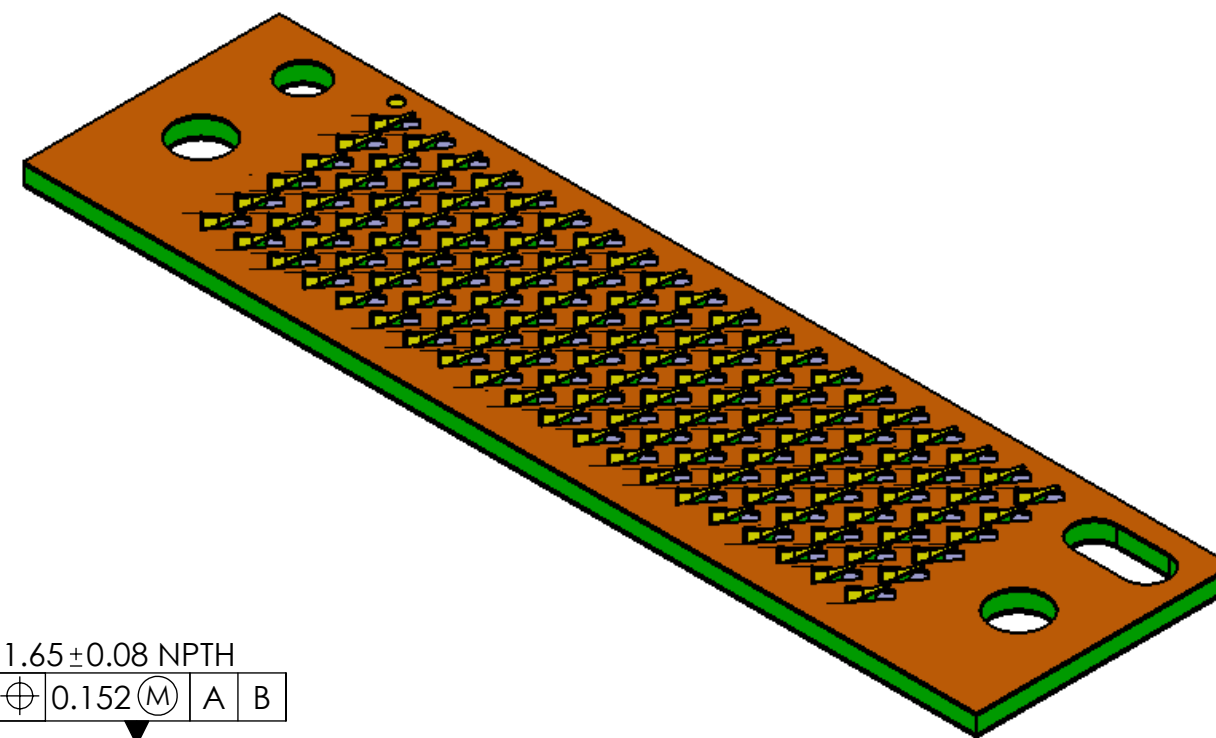
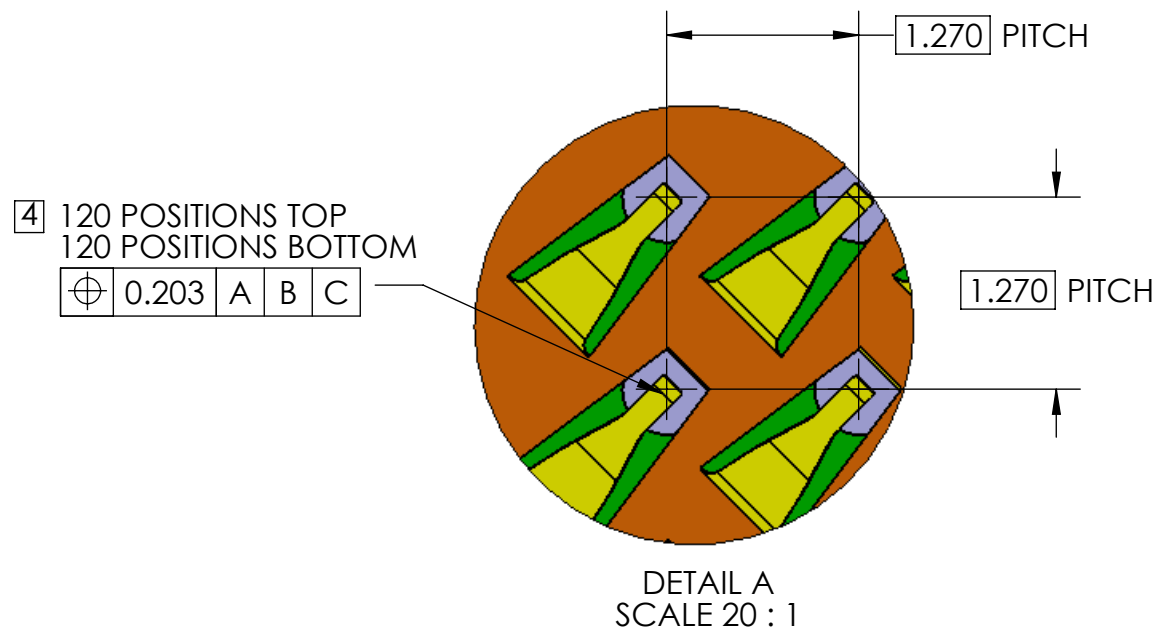
ITEM	DESCRIPTION	NEOCONIX P/N	QTY PER ASSY
1	M2 FLATHEAD SCREW	VARIOUS *	2
2	TOP STIFFENER	B01-000624-Lxxx *	1
3	FPC	CUSTOM UPON REQUEST	1
4	INTERPOSER	SPH2-MF120A	1
5	PCB	N/A - CUSTOMER SUPPLIED	1
6	BOTTOM STIFFENER	B01-000628	1

\* SEE AS-000034 FOR VARIOUS PART NUMBER  
OPTIONS BASED ON ASSEMBLY THICKNESS STACKUP.  
ALL ITEMS ORDERED SEPARATELY.

<p>4020 MOORPARK AVENUE #108 SAN JOSE, CA 95117 USA TEL: 408-530-9393 FAX: 408-530-9383</p>	<p>DIMENSIONS ARE IN MM [INCH]</p> <p>.X <math>\pm</math> .XX <math>\pm</math> .XXX <math>\pm</math> ANGLE: NO DEC <math>\pm</math> .X <math>\pm</math> .XX <math>\pm</math></p> <p>THIRD ANGLE</p>	MATERIAL: SEE NOTES		TITLE: SPH2 ASSEMBLY 120 POSITIONS LGA-LGA		
		FINISH: <input checked="" type="checkbox"/>		DRAWN BY: W.B.LONG 09-30-2019		SIZE: B+
		CHECKED BY:		ENGR APPR:		DWG NUMBER: SPH2-MF120A-ASY
		MFG APPR:		QA APPR:		REV: A
				SCALE: 3:1	SHEET 1 OF 4	

- PROPRIETARY INFORMATION -  
NO USE OR REPRODUCTION MAY BE MADE OF  
THIS DOCUMENT WITHOUT EXPRESS WRITTEN  
PERMISSION OF NEOCONIX.

REVISION				
REV	ECN	DESCRIPTION	DATE	APPROVED
A	1263	PRODUCTION RELEASE	12-10-2019	WES TAO



NOTES (UNLESS OTHERWISE SPECIFIED):

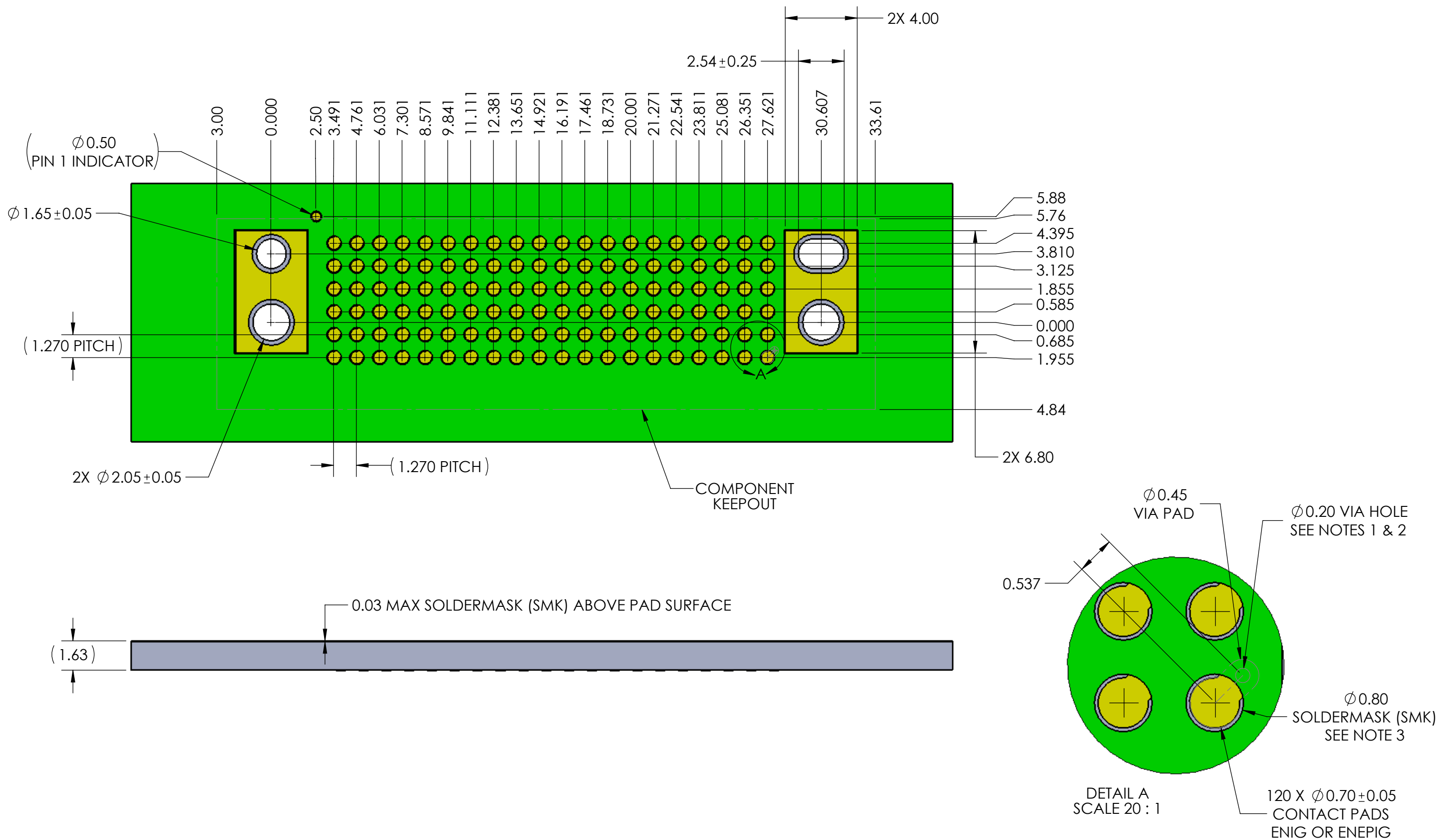
1. INTERPRET DRAWING PER ASME Y14.5M-1994.
2. HALOGEN-FREE PER IPC-4101B.
3. COMPLIANT WITH RoHS DIRECTIVE 2011/65/EU.

4 CENTER MARKS OF CONTACT POSITIONS ARE FOR COMPRESSED STATE

<p>4020 MOORPARK AVENUE #108 SAN JOSE, CA 95117 USA TEL: 408-530-9393 FAX: 408-530-9383</p>	<p>DIMENSIONS ARE IN MM</p> <p>.X ± 0.13 .XX ± 0.08 .XXX ± 0.025</p> <p>ANGLE: NO DEC ± 2 DEGREE</p> <p>X ± .XX ±</p> <p>THIRD ANGLE</p>	<p>MATERIAL: SEE NOTES</p> <p>FINISH:</p> <p>DRAWN BY: W.B.LONG 09-30-2019</p> <p>CHECKED BY:</p> <p>ENGR APPR:</p> <p>MFG APPR:</p> <p>QA APPR:</p>	<p>TITLE: SPH2 INTERPOSER 120 POS LGA-LGA</p> <p>SIZE: B+</p> <p>DWG NUMBER: SPH2-MF120A</p> <p>SCALE: 5:1</p>	
	<p>REV A</p>	<p>DATE: 12-10-2019</p>	<p>APPROVED: WES TAO</p>	<p>REV A</p>
	<p>APPROVED: WES TAO</p>	<p>DATE: 12-10-2019</p>	<p>APPROVED: WES TAO</p>	<p>REV A</p>
	<p>APPROVED: WES TAO</p>	<p>DATE: 12-10-2019</p>	<p>APPROVED: WES TAO</p>	<p>REV A</p>

- PROPRIETARY INFORMATION -  
NO USE OR REPRODUCTION MAY BE MADE OF  
THIS DOCUMENT WITHOUT EXPRESS WRITTEN  
PERMISSION OF NEOCONIX.

REVISION				
REV	ECN	DESCRIPTION	DATE	APPROVED
A	1263	PRODUCTION RELEASE	12-10-2019	WES TAO



NOTES:

1. IT IS ACCEPTABLE TO ROTATE THE POSITION OF THE VIAS AS NEEDED.
2. IF THE VIA NEEDS TO BE LOCATED WITHIN THE 0.60MM PAD DIAMETER, IT MUST BE FILLED, PLATED, AND PLANARIZED WITH 25UM MAX DIMPLE.
3. SOLDERMASK APPLICATION IN THE ARRAY AREA IS OPTIONAL. IF APPLIED, IT SHALL NOT PROTRUDE MORE THAN 0.03MM ABOVE THE SURFACE OF THE MATING PADS.

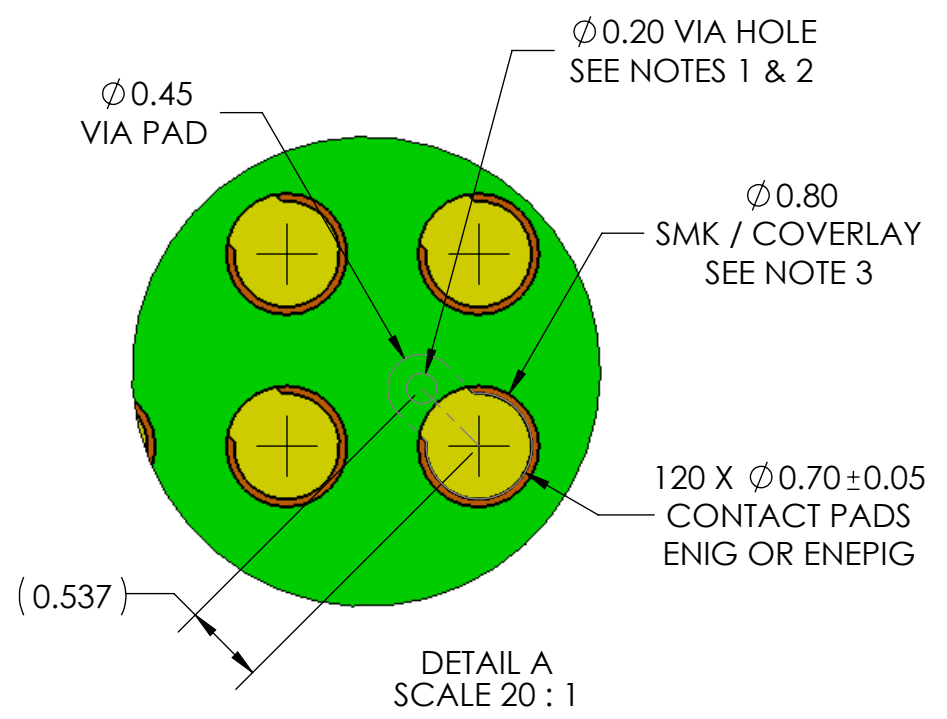
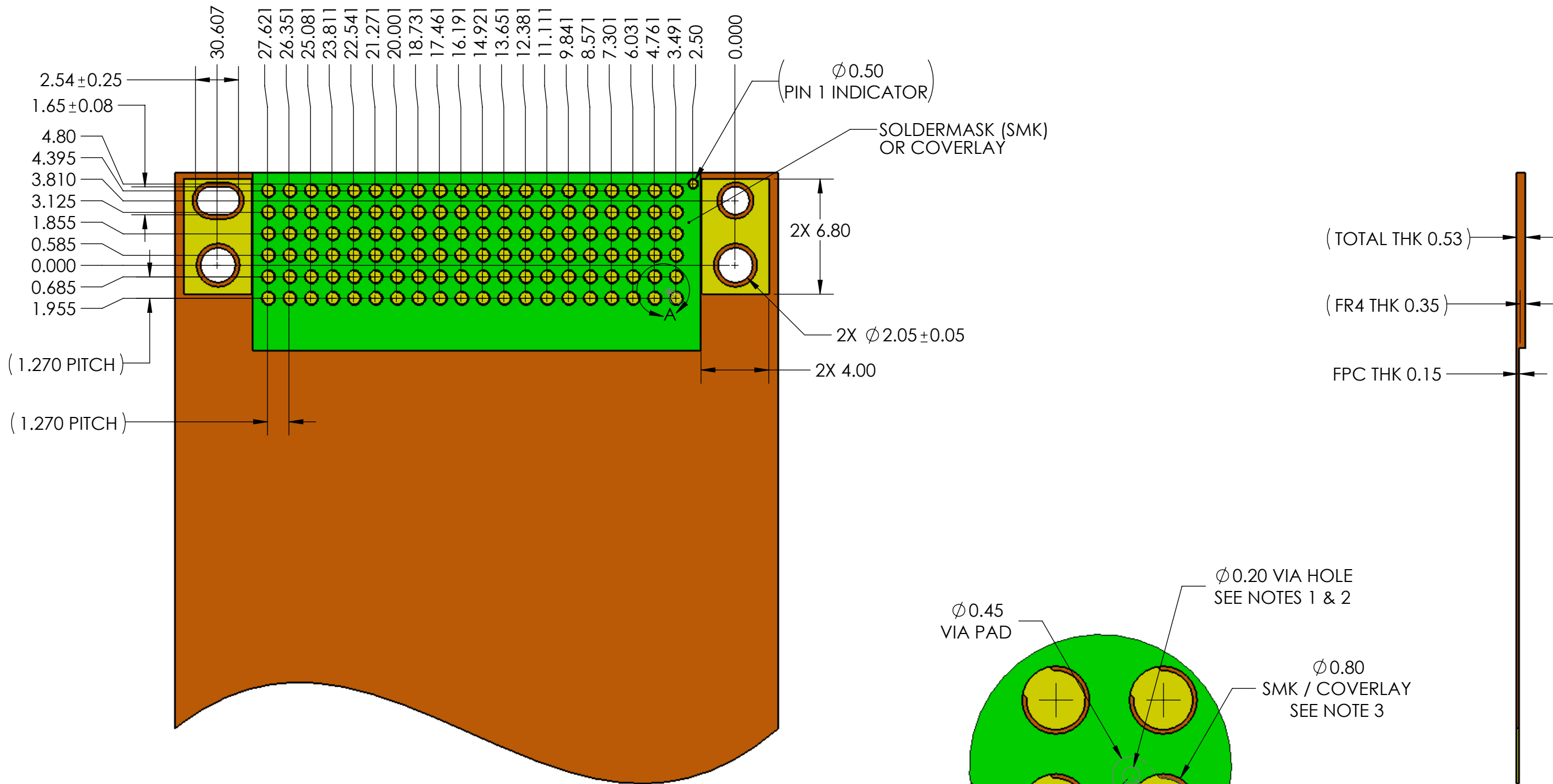
**neconix**  
4020 MOORPARK AVENUE #108  
SAN JOSE, CA 95117 USA  
TEL: 408-530-9393 FAX: 408-530-9383

DIMENSIONS ARE IN  
MM [INCH]  
.X ±  
.XX ±  
.XXX ±  
ANGLE: NO DEC ±  
.X ±  
.XX ±  
THIRD ANGLE

MATERIAL: SEE NOTES  
FINISH:  
DRAWN BY: W.B.LONG 09-30-2019  
CHECKED BY:  
ENGR APPR:  
MFG APPR:  
QA APPR:

TITLE: RECOMMENDED PCB LAYOUT  
SPH2-MF120A  
DWG NUMBER: SPH2-MF120-PCB  
REV: A  
SCALE: 5:1  
SHEET 3 OF 4

REVISION				
REV	ECN	DESCRIPTION	DATE	APPROVED
A	1263	PRODUCTION RELEASE	12-10-2019	WES



- NOTES:
- IT IS ACCEPTABLE TO ROTATE THE POSITION OF THE VIAS AS NEEDED.
  - IF THE VIA NEEDS TO BE LOCATED WITHIN THE 0.60MM PAD DIAMETER, IT MUST BE FILLED, PLATED, AND PLANARIZED WITH 25UM MAX DIMPLE.
  - SOLDERMASK APPLICATION IN THE ARRAY AREA IS OPTIONAL. IF APPLIED, IT SHALL NOT PROTRUDE MORE THAN 0.03MM ABOVE THE SURFACE OF THE MATING PADS.

<p>4020 MOORPARK AVENUE #108 SAN JOSE, CA 95117 USA TEL: 408-530-9393 FAX: 408-530-9383</p>	DIMENSIONS ARE IN MM [INCH] .X ± .XX ± .XXX ± ANGLE: NO DEC ± .X ± .XX ±	MATERIAL: SEE NOTES FINISH: DRAWN BY: W.B.LONG 09-30-2019 CHECKED BY: ENGR APPR: MFG APPR: QA APPR:	TITLE: RECOMMENDED FPC LAYOUT SPH1-MF120A DWG NUMBER: SPH2-MF120A-ASY REV A
	<p>THIRD ANGLE</p>	SCALE: 4:1	SHEET 4 OF 4
	SIZE B+		