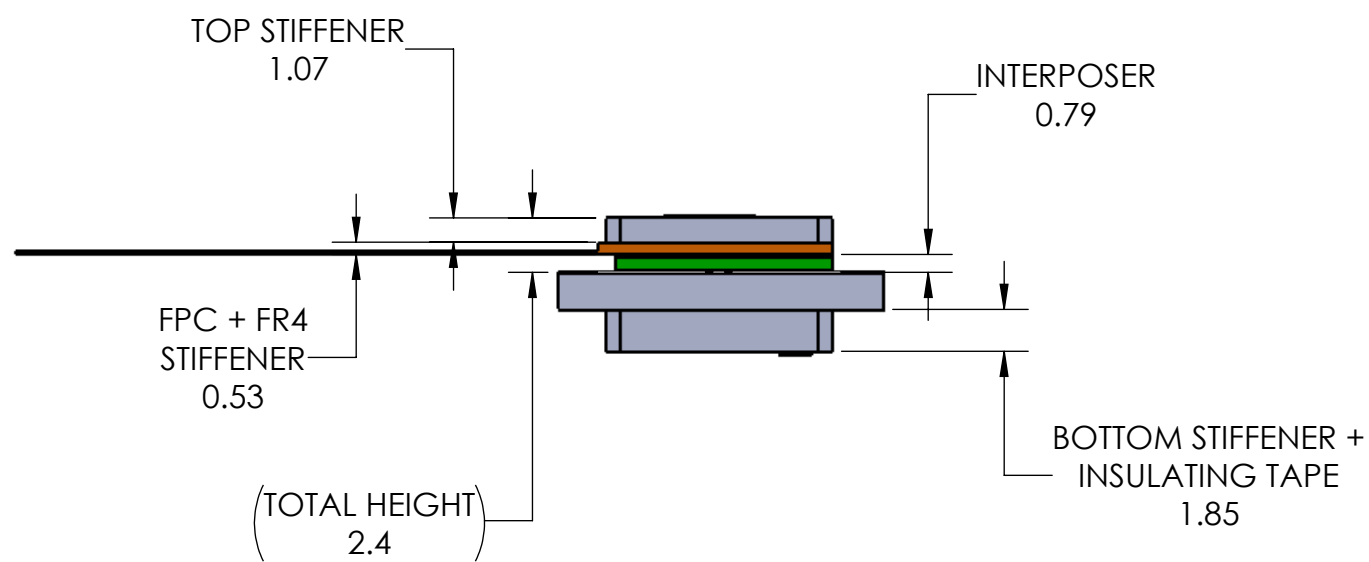
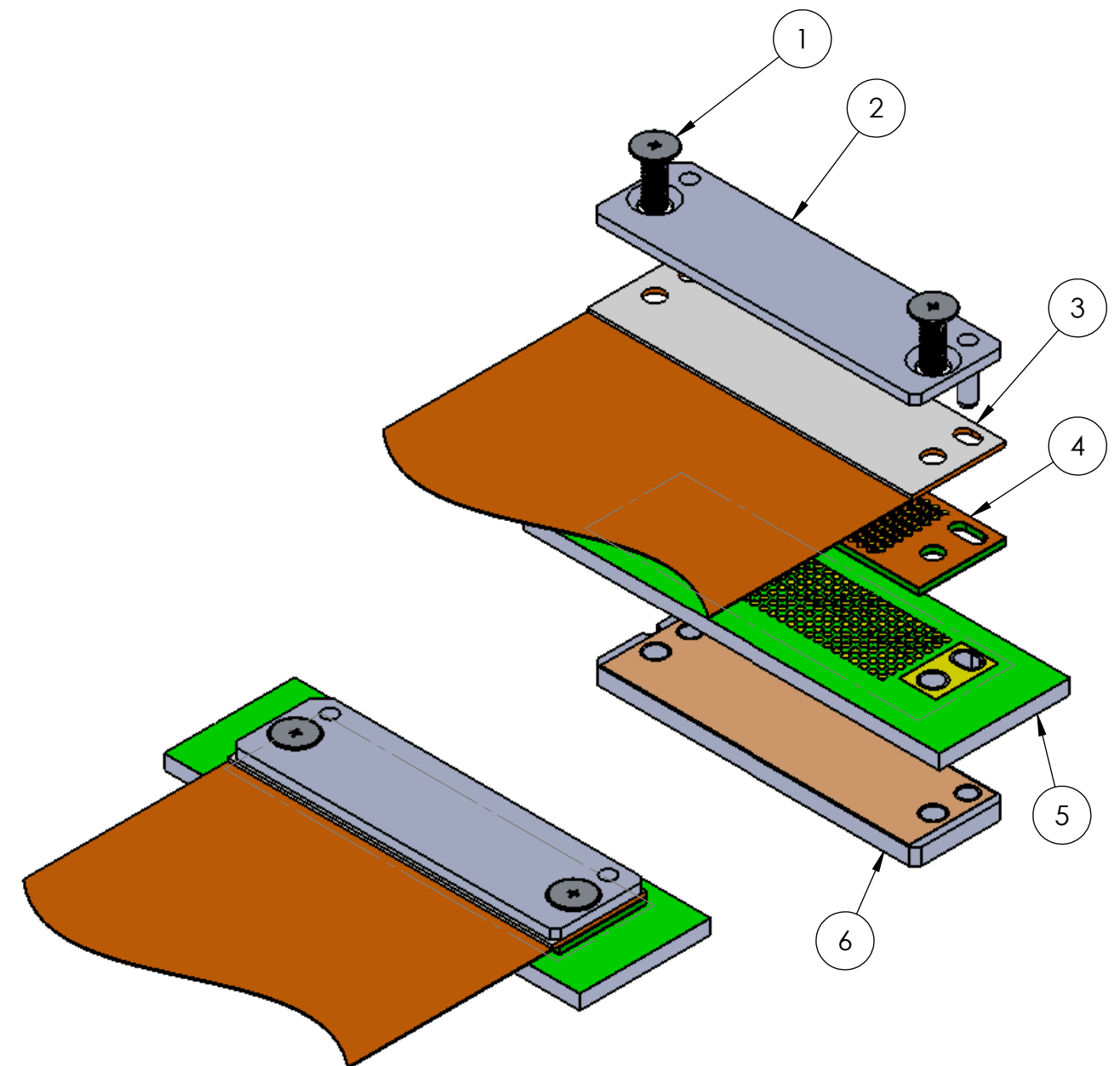
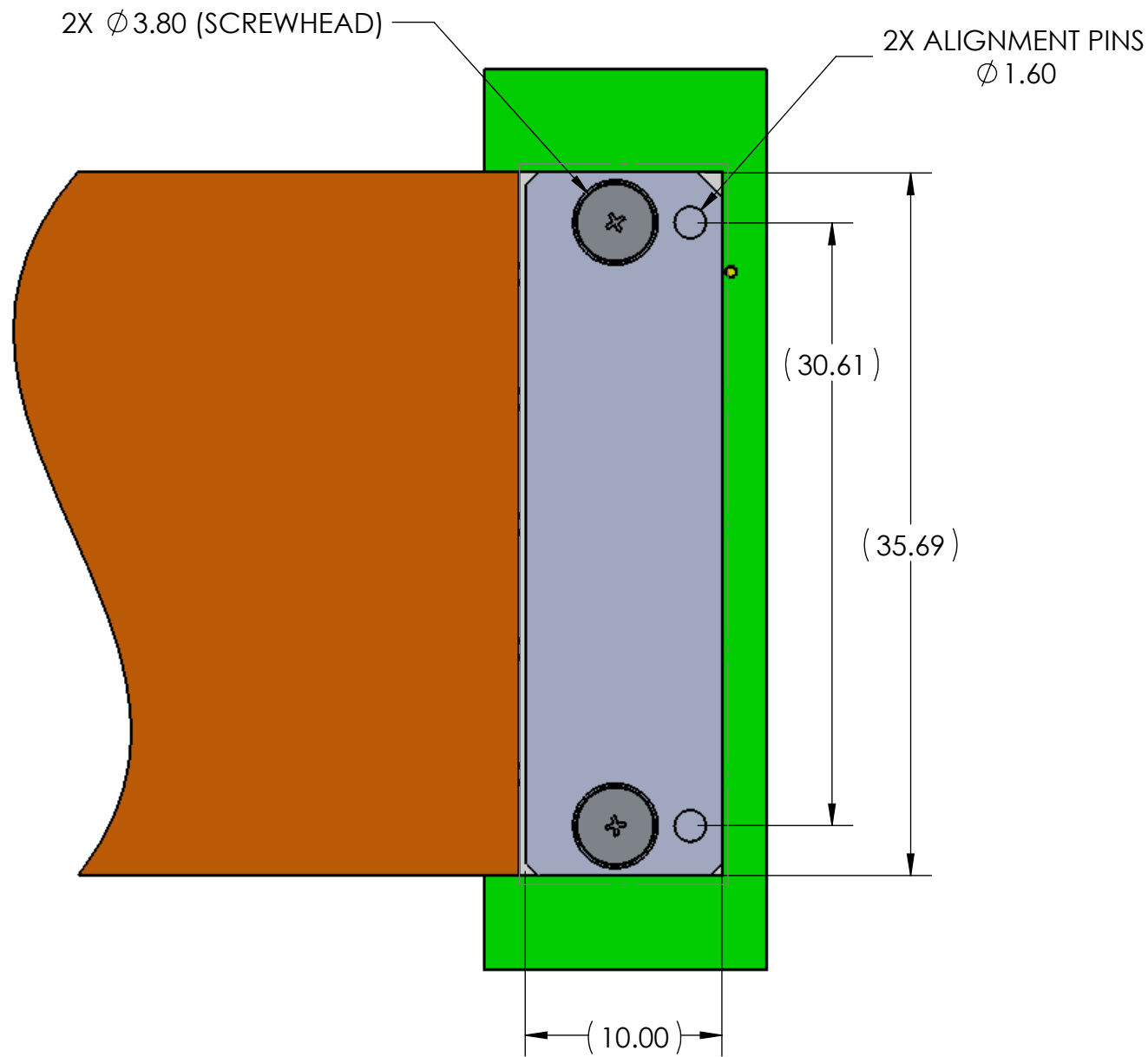


- PROPRIETARY INFORMATION -  
NO USE OR REPRODUCTION MAY BE MADE OF  
THIS DOCUMENT WITHOUT EXPRESS WRITTEN  
PERMISSION OF NEOCONIX.

REVISION				
REV	ECN	DESCRIPTION	DATE	APPROVED
A	1263	PRODUCTION RELEASE	12-10-2019	WES TAO



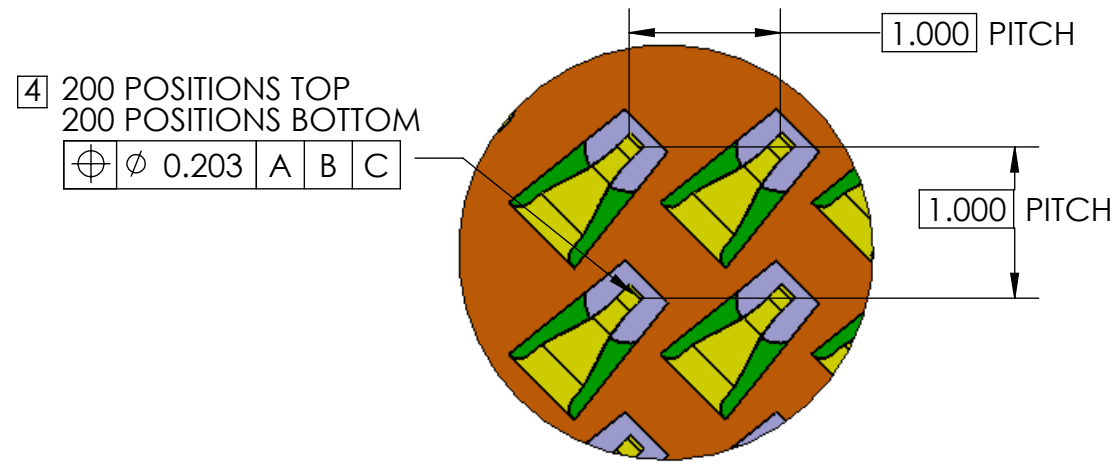
ITEM	DESCRIPTION	NEOCONIX P/N	QTY PER ASSY
1	M2 FLATHEAD SCREW	VARIOUS *	2
2	TOP STIFFENER	B01-000624-Lxxx *	1
3	FPC	CUSTOM UPON REQUEST	1
4	INTERPOSER	SPH2-MD200A	1
5	PCB	N/A - CUSTOMER SUPPLIED	1
6	BOTTOM STIFFENER	B01-000628	1

\* SEE AS-000034 FOR VARIOUS PART NUMBER  
OPTIONS BASED ON ASSEMBLY THICKNESS STACKUP.  
ALL ITEMS ORDERED SEPARATELY.

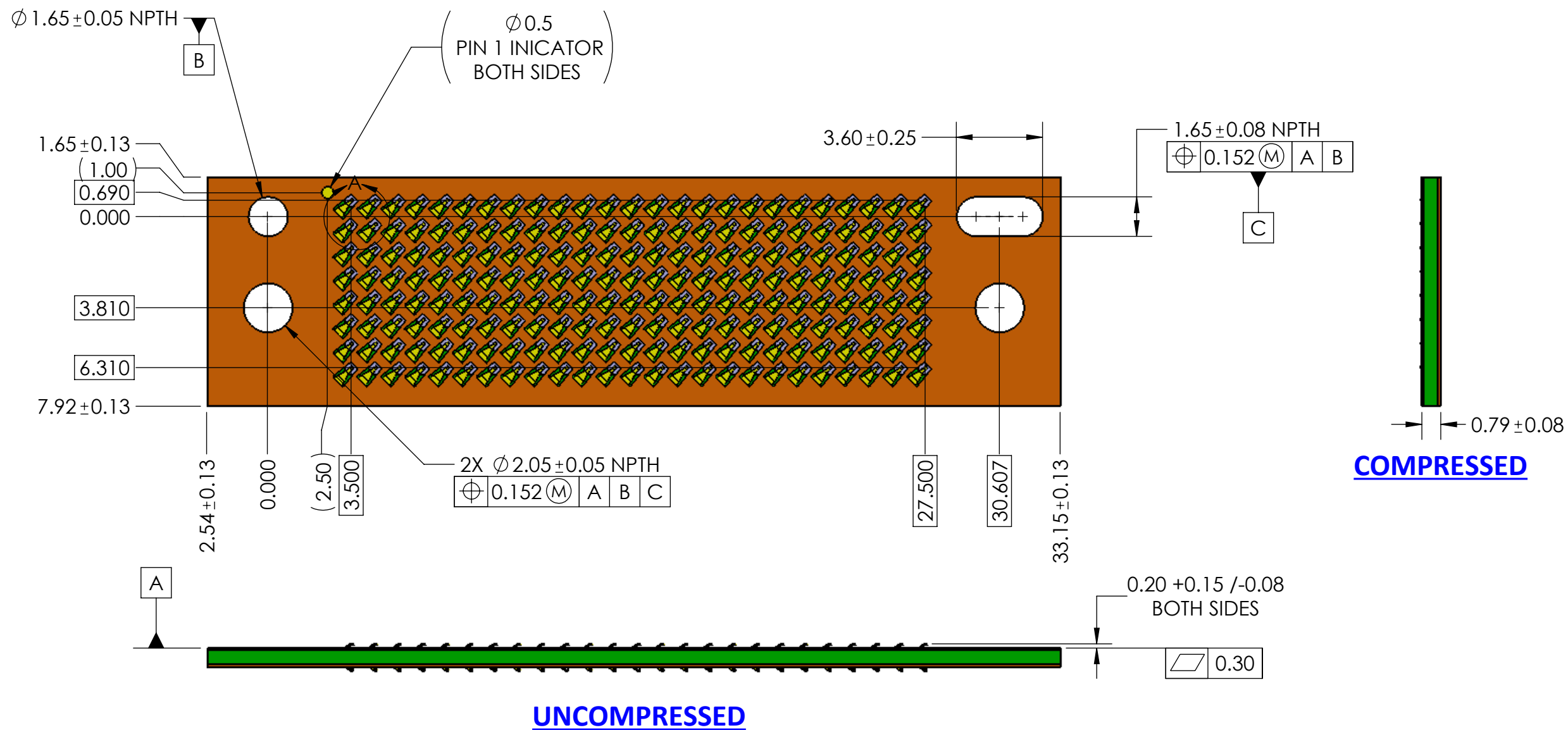
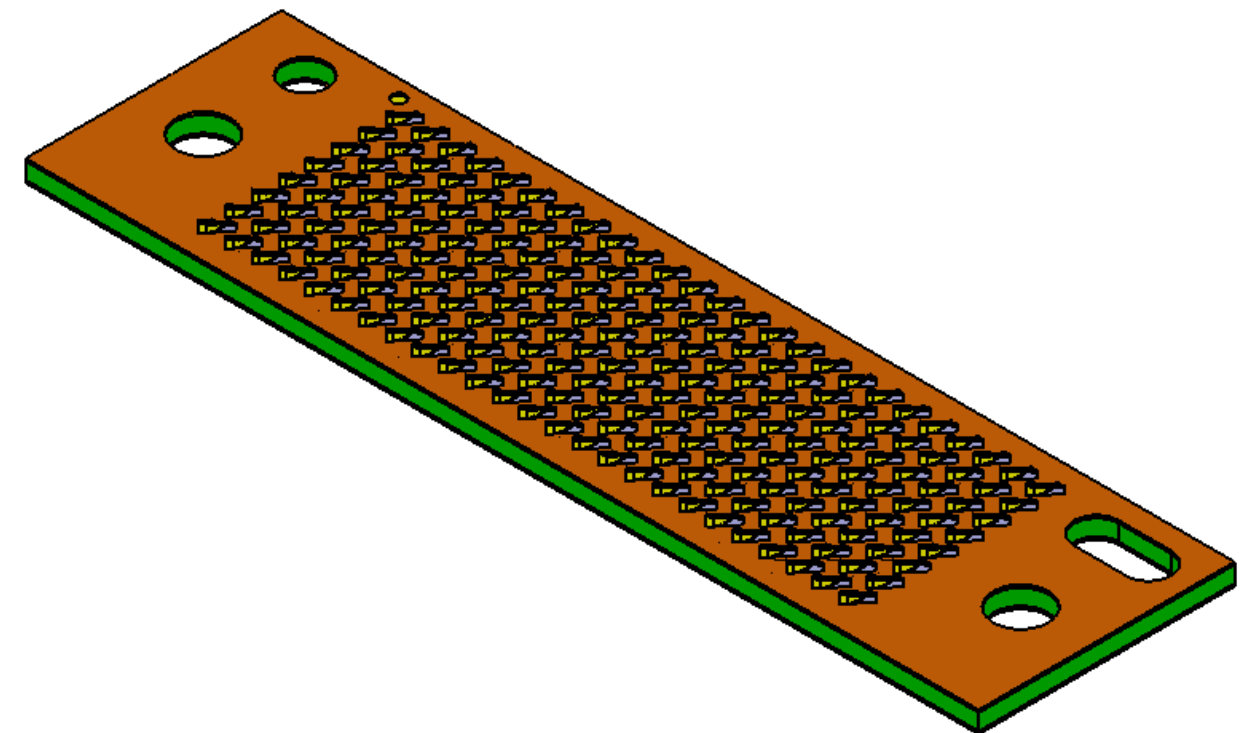
<p>4020 MOORPARK AVENUE #108 SAN JOSE, CA 95117 USA TEL: 408-530-9393 FAX: 408-530-9383</p>	<p>DIMENSIONS ARE IN MM [INCH]</p> <p>.X ± .XX ± .XXX ±</p> <p>ANGLE: NO DEC ± .X ± .XX ±</p> <p>THIRD ANGLE</p>	MATERIAL: SEE NOTES		TITLE: SPH2 ASSEMBLY 200 POSITIONS LGA-LGA		
		FINISH:		SIZE	DWG NUMBER:	REV
		DRAWN BY: W.B.LONG	09-30-2019	B+	SPH2-MD200A-ASY	A
		CHECKED BY:		SCALE: 3:1	SHEET 1 OF 4	
ENGR APPR:						
MFG APPR:						
QA APPR:						

- PROPRIETARY INFORMATION -  
NO USE OR REPRODUCTION MAY BE MADE OF  
THIS DOCUMENT WITHOUT EXPRESS WRITTEN  
PERMISSION OF NEOCONIX.

REVISION				
REV	ECN	DESCRIPTION	DATE	APPROVED
A	1263	PRODUCTION RELEASE	12-10-2019	WES TAO



DETAIL A  
SCALE 20 : 1



**UNCOMPRESSED**

**COMPRESSED**

NOTES (UNLESS OTHERWISE SPECIFIED):

1. INTERPRET DRAWING PER ASME Y14.5M-1994.
2. HALOGEN-FREE PER IPC-4101B.
3. COMPLIANT WITH RoHS DIRECTIVE 2011/65/EU.

4 CENTER MARKS OF CONTACT POSITIONS ARE FOR COMPRESSED STATE

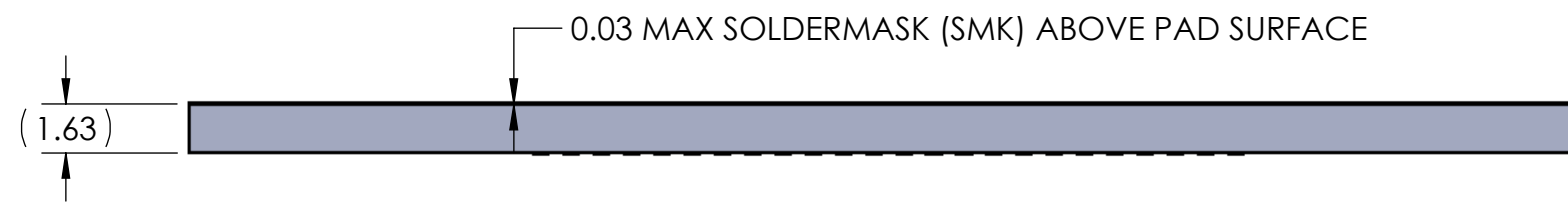
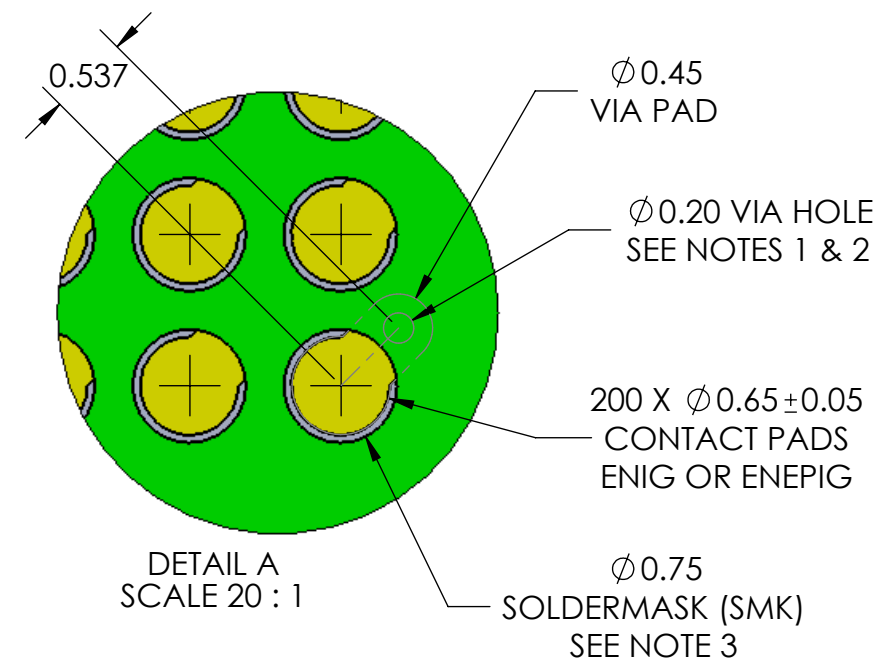
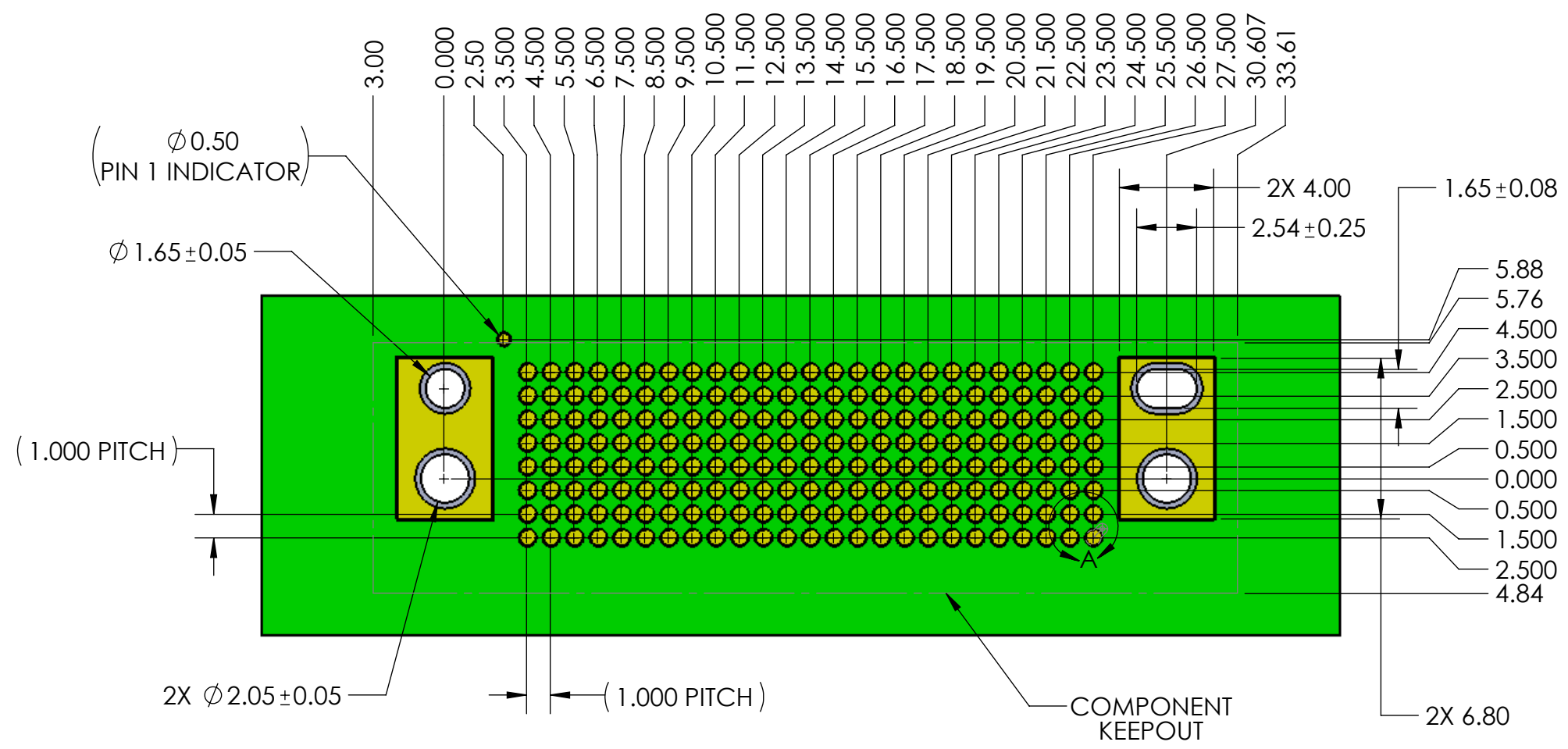
**neconix**  
4020 MOORPARK AVENUE #108  
SAN JOSE, CA 95117 USA  
TEL: 408-530-9393 FAX: 408-530-9383

DIMENSIONS ARE IN  
MM [INCH]  
.X ±0.13  
.XX ±0.08  
XXX ±0.025  
ANGLE: NO DEC±2 DEGREE  
X±  
XX±  
THIRD ANGLE

MATERIAL: SEE NOTES  
FINISH:  
DRAWN BY: W.B.LONG 09-30-2019  
CHECKED BY:  
ENGR APPR:  
MFG APPR:  
QA APPR:

TITLE: SPH2 INTERPOSER  
200 POS LGA-LGA  
DWG NUMBER: SPH2-MD200A  
REV: A  
SCALE: 5:1  
SHEET 2 OF 4

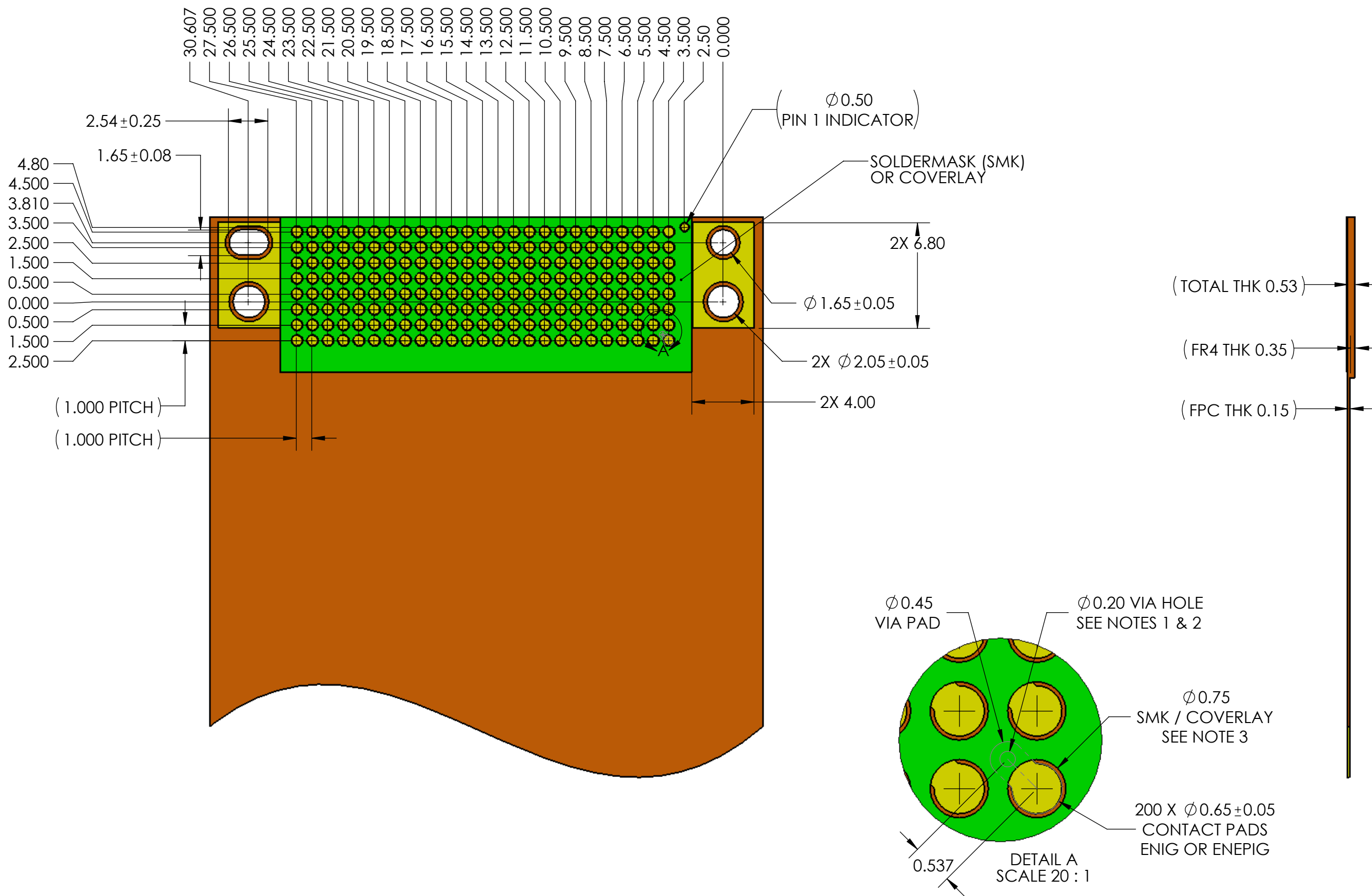
REVISION				
REV	ECN	DESCRIPTION	DATE	APPROVED
A	1263	PRODUCTION RELEASE	12-10-2019	WES TAO



- NOTES:
- IT IS ACCEPTABLE TO ROTATE THE POSITION OF THE VIAS AS NEEDED.
  - IF THE VIA NEEDS TO BE LOCATED WITHIN THE 0.65MM PAD DIAMETER, IT MUST BE FILLED, PLATED, AND PLANARIZED WITH 25UM MAX DIMPLE.
  - SOLDERMASK APPLICATION IN THE ARRAY AREA IS OPTIONAL. IF APPLIED, IT SHALL NOT PROTRUDE MORE THAN 0.03MM ABOVE THE SURFACE OF THE MATING PADS.

<p>4020 MOORPARK AVENUE #108 SAN JOSE, CA 95117 USA TEL: 408-530-9393 FAX: 408-530-9383</p>	DIMENSIONS ARE IN MM [INCH]	MATERIAL: SEE NOTES	TITLE: RECOMMENDED PCB LAYOUT SPH2-MD200A
	FINISH:	DRAWN BY: W.B.LONG 09-30-2019	SIZE: B+
	CHECKED BY:	ENGR APPR:	DWG NUMBER: SPH2-MD200A-PCB
	ANGLE: NO DEC ± .X ± .XX ± .XXX ±	MFG APPR:	REV: A
THIRD ANGLE	QA APPR:	SCALE: 4:1	SHEET 3 OF 4

REVISION				
REV	ECN	DESCRIPTION	DATE	APPROVED
A	1263	PRODUCTION RELEASE	12-10-2019	WES TAO



- NOTES:
- IT IS ACCEPTABLE TO ROTATE THE POSITION OF THE VIAS AS NEEDED.
  - IF THE VIA NEEDS TO BE LOCATED WITHIN THE 0.65MM PAD DIAMETER, IT MUST BE FILLED, PLATED, AND PLANARIZED WITH 25UM MAX DIMPLE.
  - SOLDERMASK APPLICATION IN THE ARRAY AREA IS OPTIONAL. IF APPLIED, IT SHALL NOT PROTRUDE MORE THAN 0.03MM ABOVE THE SURFACE OF THE MATING PADS.

<p>4020 MOORPARK AVENUE #108 SAN JOSE, CA 95117 USA TEL: 408-530-9393 FAX: 408-530-9383</p>	DIMENSIONS ARE IN MM [INCH]	MATERIAL: SEE NOTES FINISH:	TITLE: RECOMMENDED FPC LAYOUT SPH2-MD200A	
	.X ± .XX ± .XXX ± ANGLE: NO DEC ± .X ± .XX ±	DRAWN BY: W.B.LONG CHECKED BY: ENGR APPR: MFG APPR: QA APPR:	09-30-2019	SIZE: B+ DWG NUMBER: SPH2-MD200A-ASY REV: A
	THIRD ANGLE	SCALE: 4:1	SHEET 4 OF 4	