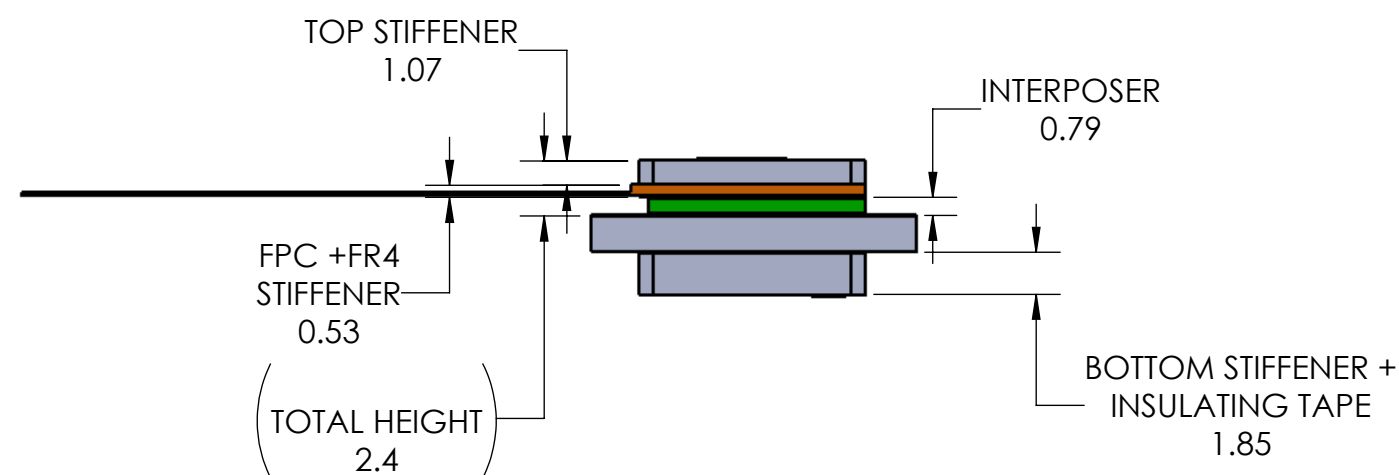
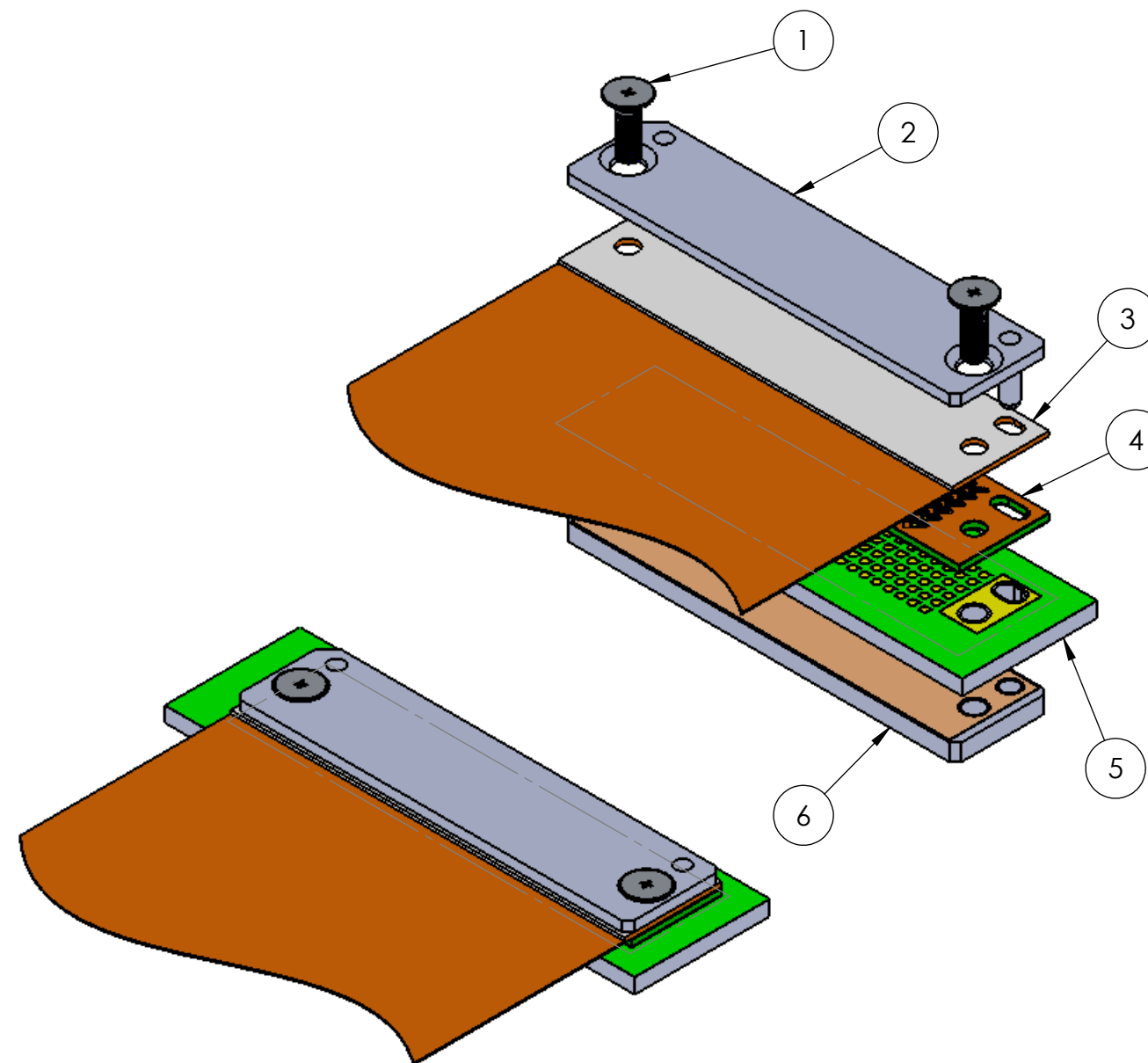
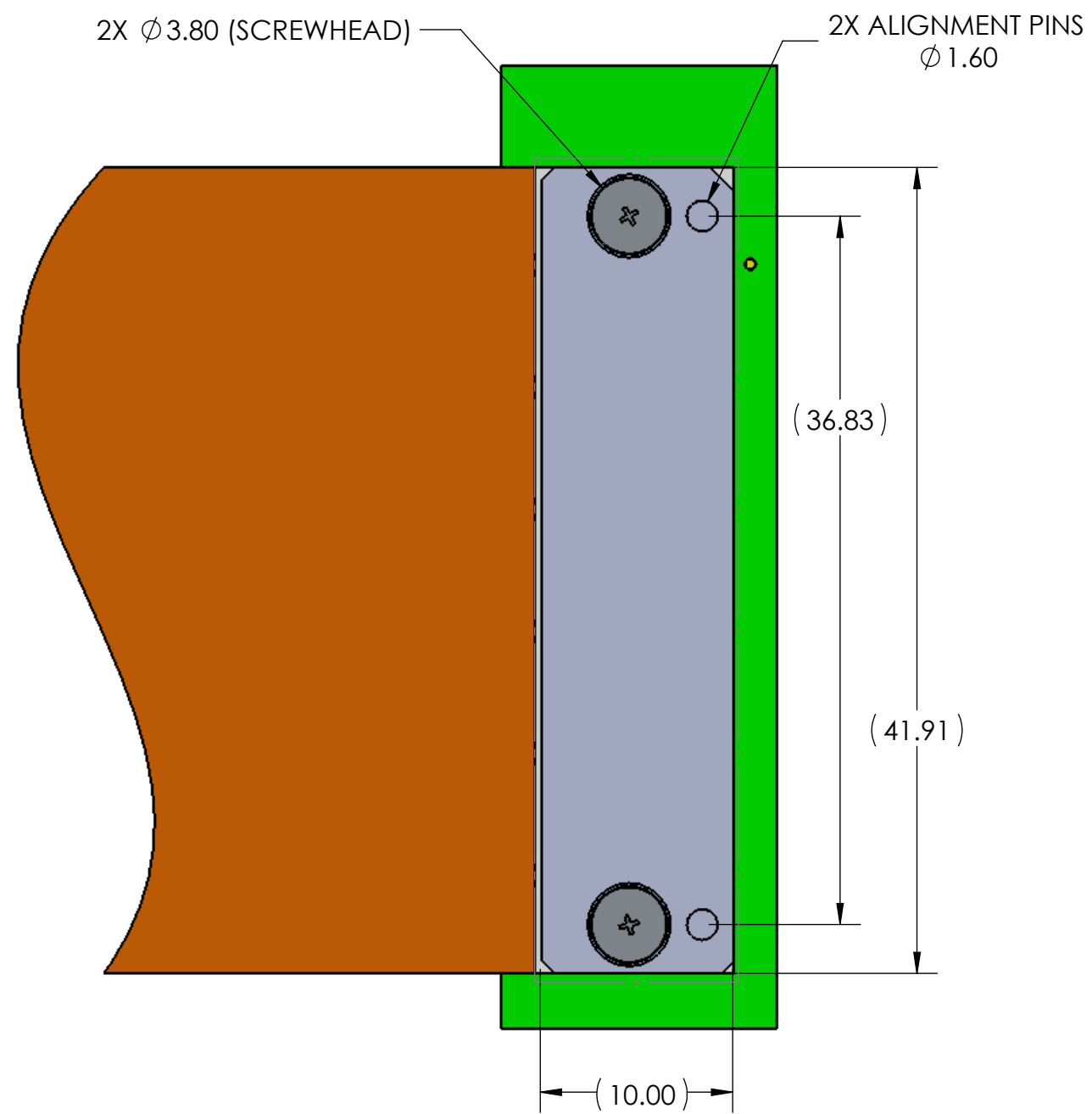


- PROPRIETARY INFORMATION -
NO USE OR REPRODUCTION MAY BE MADE OF
THIS DOCUMENT WITHOUT EXPRESS WRITTEN
PERMISSION OF NEOCONIX.

REVISION				
REV	ECN	DESCRIPTION	DATE	APPROVED
A	1263	PRODUCTION RELEASE	12-10-2019	WES TAO



ITEM	DESCRIPTION	NEOCONIX P/N	QTY PER ASSY
1	M2 FLATHEAD SCREW	VARIOUS *	2
2	TOP STIFFENER	B01-000623-Lxxx *	1
3	FPC	CUSTOM UPON REQUEST	1
4	INTERPOSER	SPH2-LF150A	1
5	PCB	N/A - CUSTOMER SUPPLIED	1
6	BOTTOM STIFFENER	B01-000627	1

* SEE AS-000034 FOR VARIOUS PART NUMBER
OPTIONS BASED ON ASSEMBLY THICKNESS STACKUP.
ALL ITEMS ORDERED SEPARATELY.

neconix
4020 MOORPARK AVENUE #108
SAN JOSE, CA 95117 USA
TEL: 408-530-9393 FAX: 408-530-9383

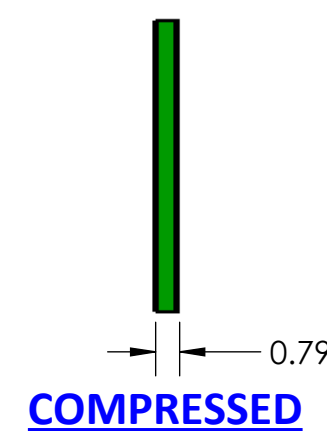
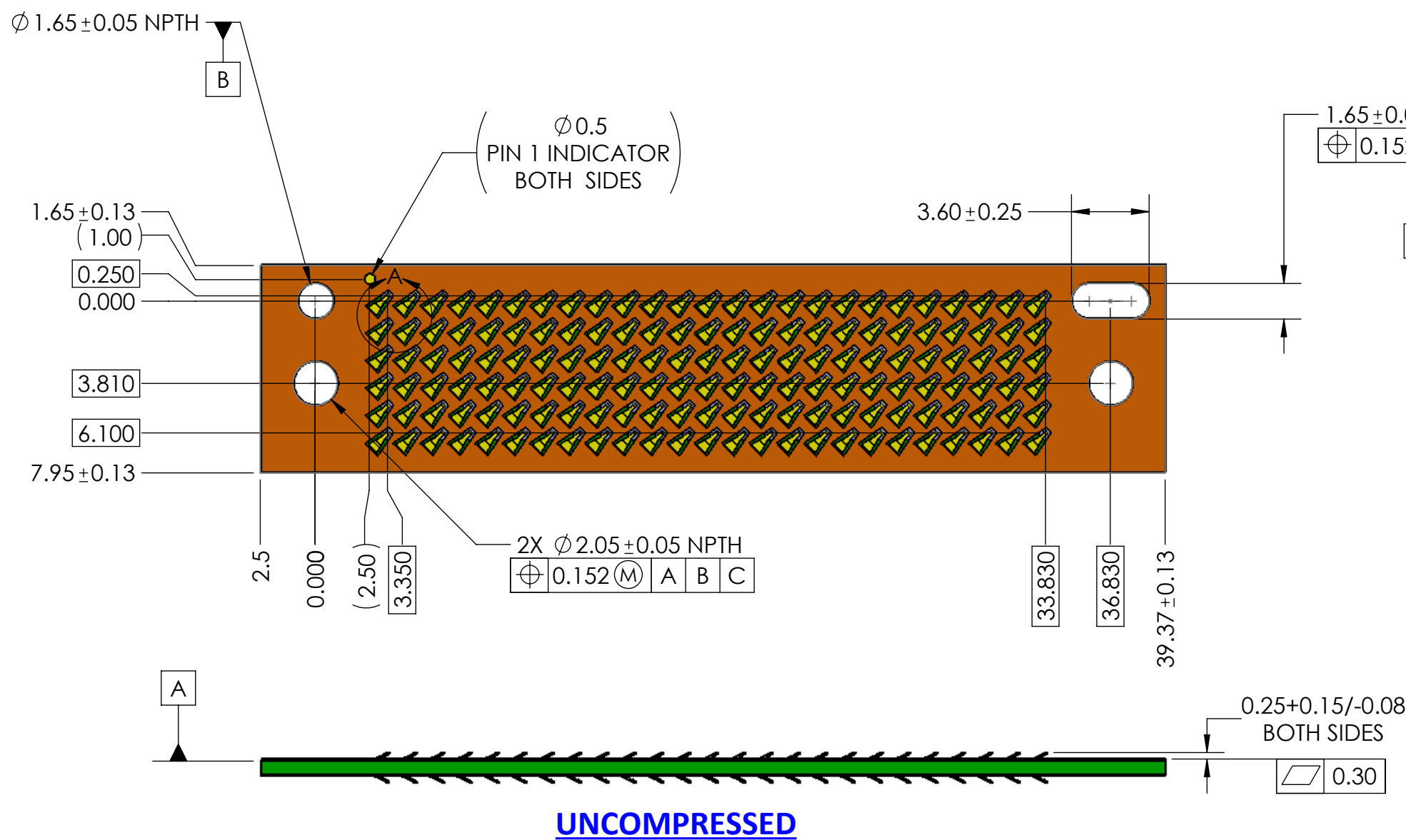
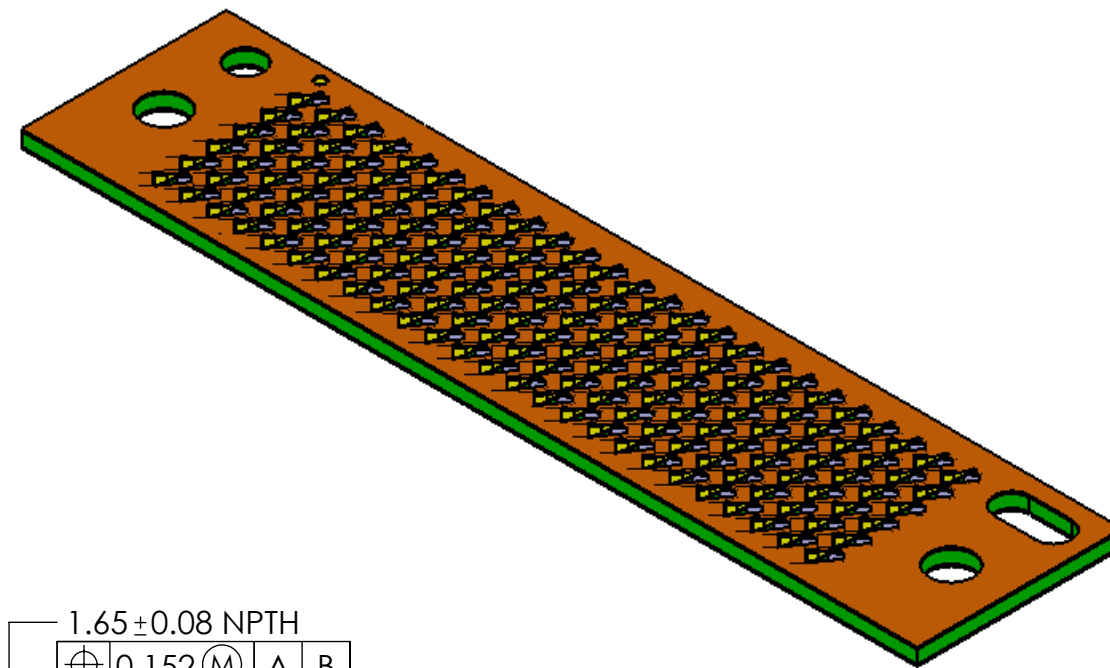
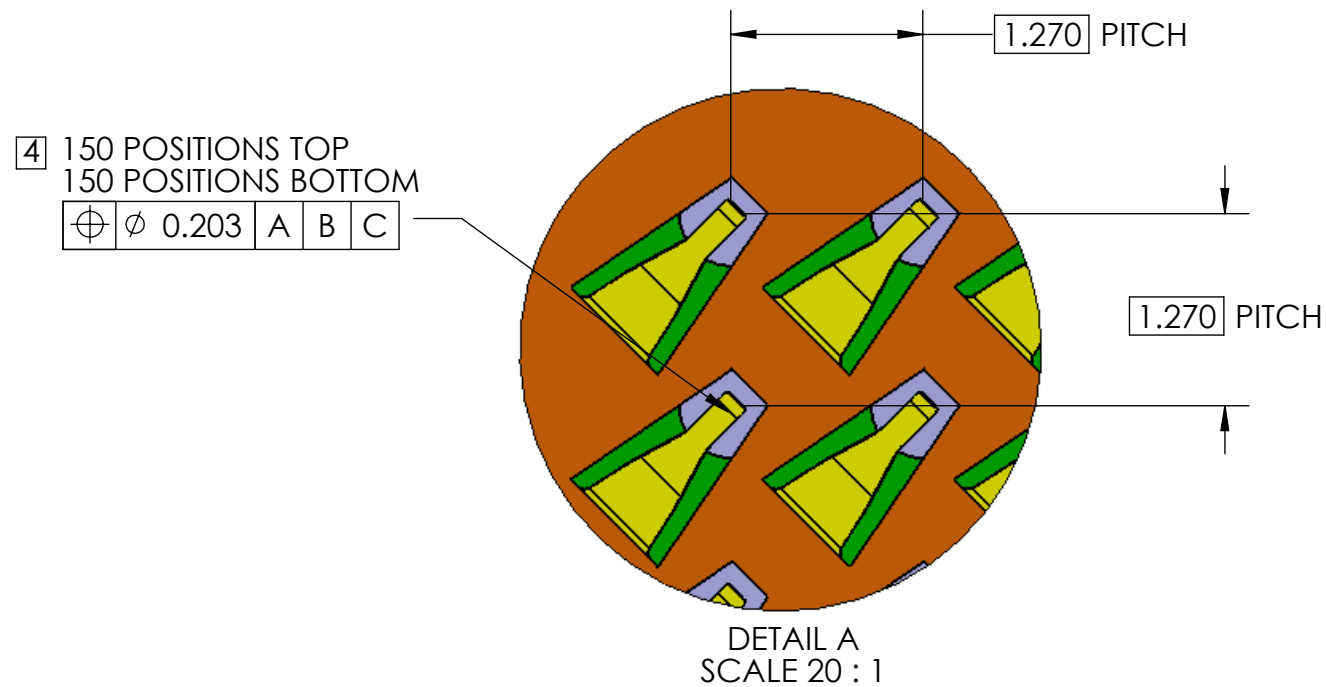
DIMENSIONS ARE IN
MM [INCH]
.X ±
.XX ±
.XXX ±
ANGLE: NO DEC ±
.X ±
.XX ±
THIRD ANGLE

MATERIAL: SEE NOTES
FINISH:
DRAWN BY: W.B.LONG 09-30-2019
CHECKED BY:
ENGR APPR:
MFG APPR:
QA APPR:

TITLE:
SPH2 ASSEMBLY
150 POSITIONS LGA-LGA
SIZE DWG NUMBER:
B+ SPH2-LF150A-ASY
SCALE: 3:1 SHEET 1 OF 4

- PROPRIETARY INFORMATION -
NO USE OR REPRODUCTION MAY BE MADE OF
THIS DOCUMENT WITHOUT EXPRESS WRITTEN
PERMISSION OF NEOCONIX.

REVISION				
REV	ECN	DESCRIPTION	DATE	APPROVED
A	1263	PRODUCTION RELEASE	12-10-2019	WES TAO



NOTES (UNLESS OTHERWISE SPECIFIED):

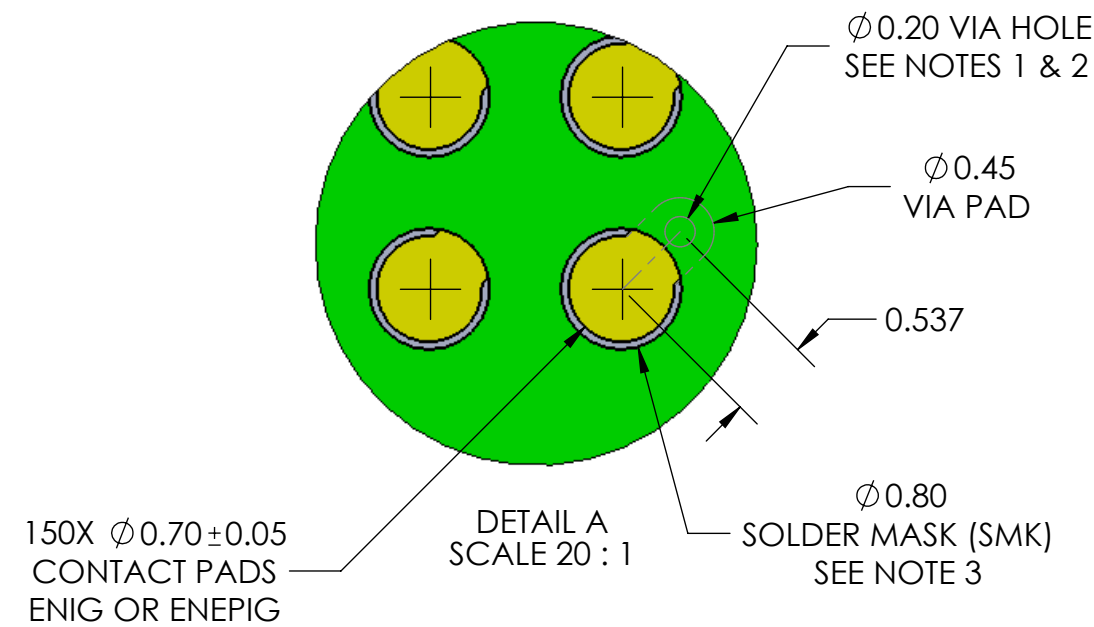
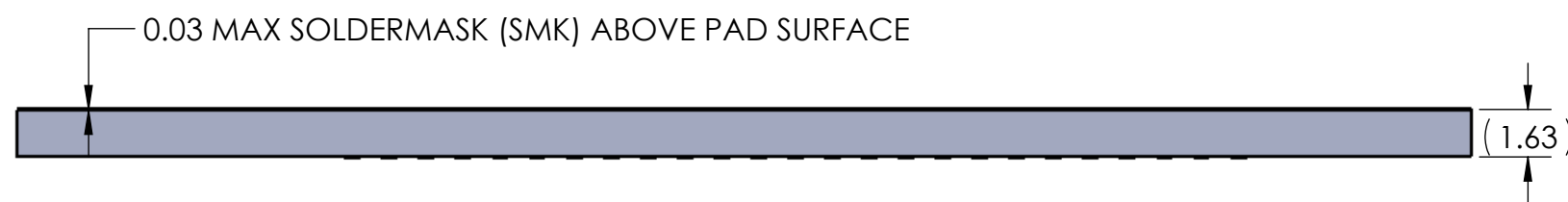
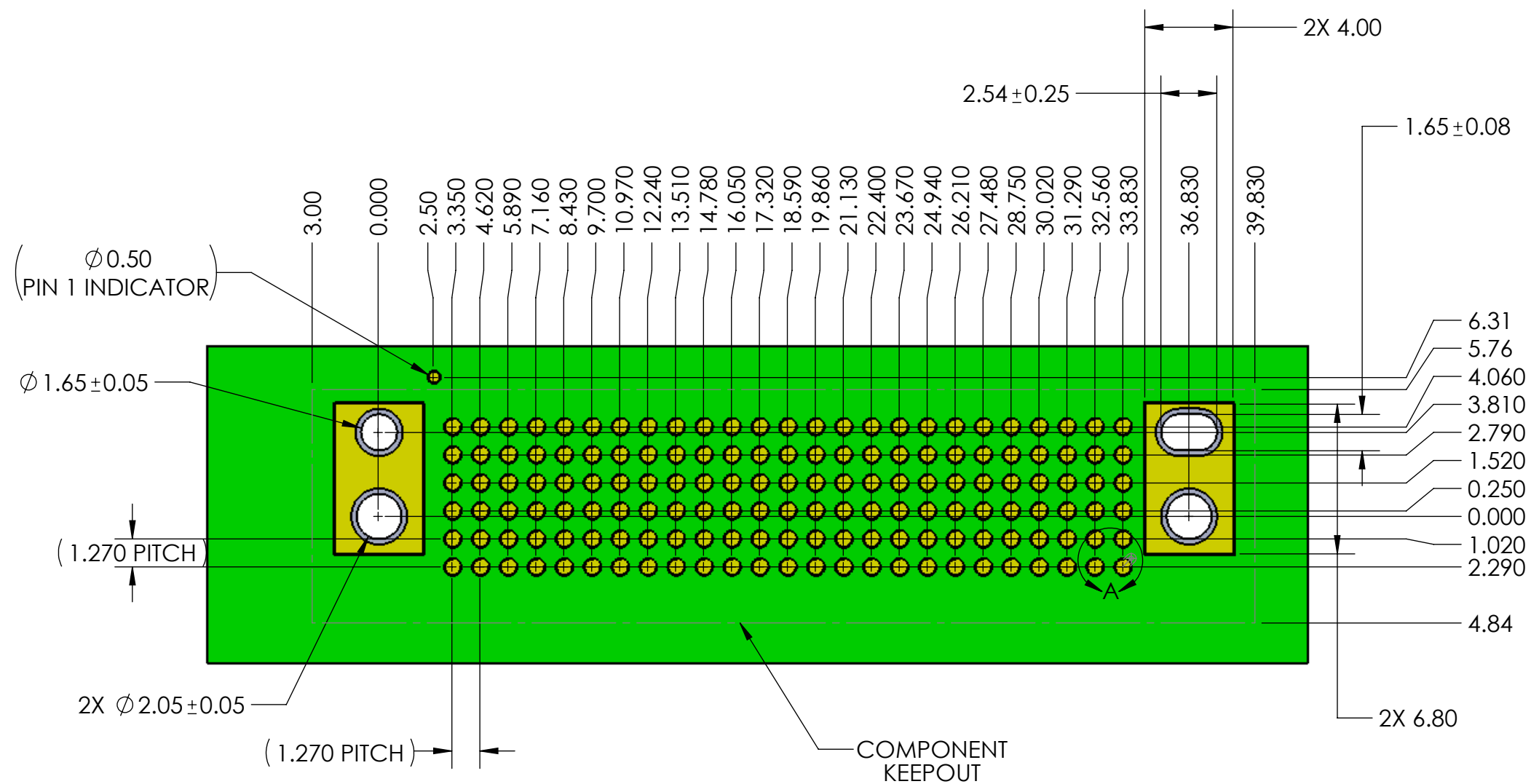
1. INTERPRET DRAWING PER ASME Y14.5M-1994.
2. HALOGEN-FREE PER IPC-4101B.
3. COMPLIANT WITH RoHS DIRECTIVE 2011/65/EU.

4 CENTER MARKS OF CONTACT POSITIONS ARE FOR COMPRESSED STATE

	DIMENSIONS ARE IN MM [INCH]		MATERIAL: SEE NOTES		TITLE: SPH2 INTERPOSER 150 POS LGA-LGA	
	.X ± 0.13	.XX ± 0.08	FINISH:		DRAWN BY: W.B.LONG 09-30-2019	
.XXX ± 0.025	ANGLE: NO DEC ± 2 DEGREE		CHECKED BY:		SIZE: B+	
			ENGR APPR:		DWG NUMBER: SPH2-LF150A	
4020 MOORPARK AVENUE #108 SAN JOSE, CA 95117 USA			MFG APPR:		REV: A	
TEL: 408-530-9393 FAX: 408-530-9383			QA APPR:		SCALE: 4:1 SHEET 2 OF 4	

- PROPRIETARY INFORMATION -
NO USE OR REPRODUCTION MAY BE MADE OF
THIS DOCUMENT WITHOUT EXPRESS WRITTEN
PERMISSION OF NEOCONIX.

REVISION				
REV	ECN	DESCRIPTION	DATE	APPROVED
A	1263	PRODUCTION RELEASE	12-10-2019	WES TAO



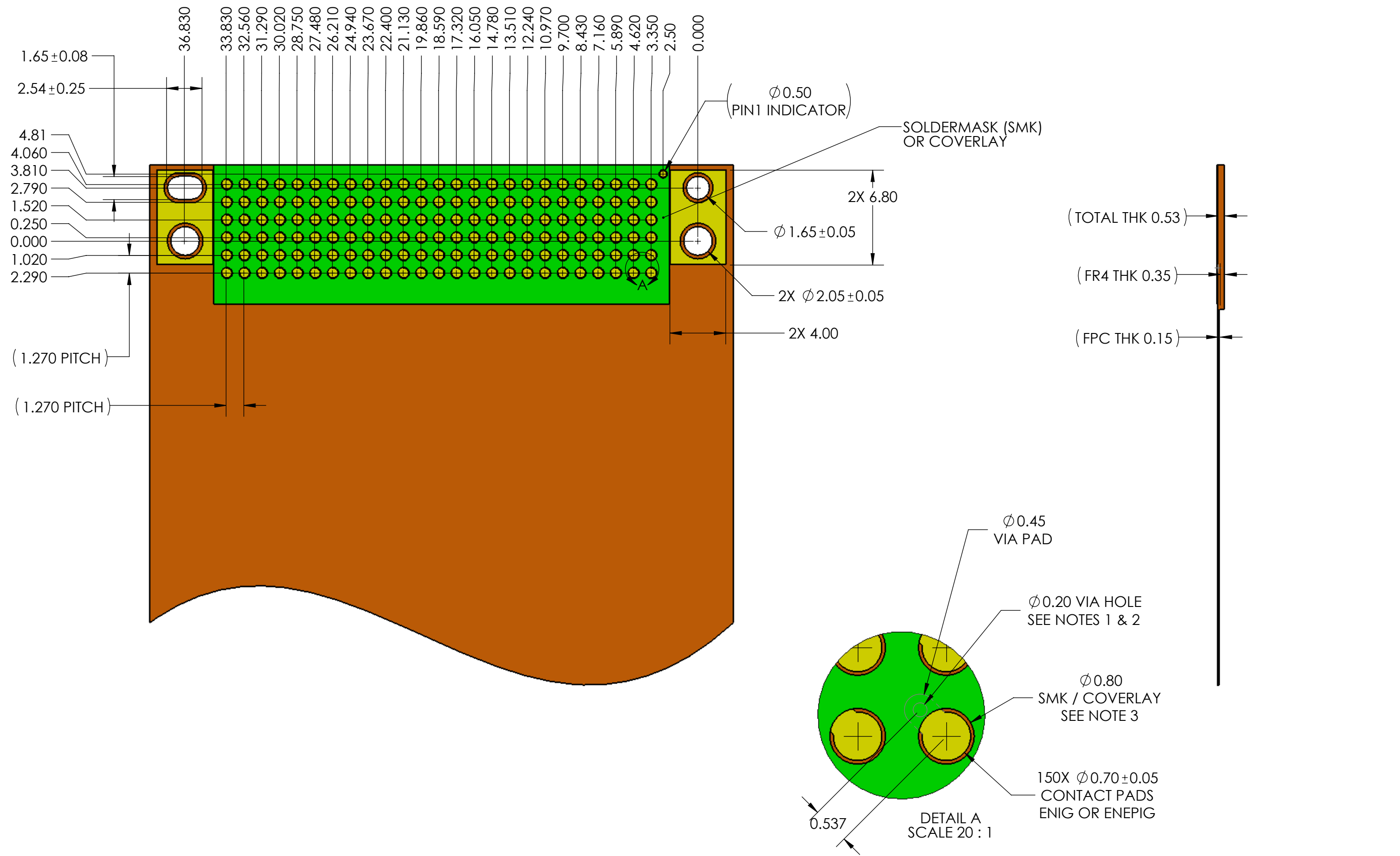
NOTES:

- IT IS ACCEPTABLE TO ROTATE THE POSITION OF THE VIAS AS NEEDED.
- IF THE VIA NEEDS TO BE LOCATED WITHIN THE 0.70MM PAD DIAMETER, IT MUST BE FILLED, PLATED, AND PLANARIZED WITH 25UM MAX DIMPLE.
- SOLDERMASK APPLICATION IN THE ARRAY AREA IS OPTIONAL. IF APPLIED, IT SHALL NOT PROTRUDE MORE THAN 0.03MM ABOVE THE SURFACE OF THE MATING PADS.

<p>4020 MOORPARK AVENUE #108 SAN JOSE, CA 95117 USA TEL: 408-530-9393 FAX: 408-530-9383</p>	DIMENSIONS ARE IN MM [INCH]		MATERIAL: SEE NOTES		TITLE: RECOMMENDED PCB LAYOUT SPH2-LF150A	
	FINISH:		DRAWN BY: W.B.LONG 09-30-2019		SIZE: B+	
	ANGLE: NO DEC ± .X ± .XX ± .XXX ±		CHECKED BY:		DWG NUMBER: SPH2-LF150A-PCB	
	THIRD ANGLE		ENGR APPR:		REV: A	
MFG APPR:		QA APPR:		SCALE: 4:1 SHEET 3 OF 4		

- PROPRIETARY INFORMATION -
NO USE OR REPRODUCTION MAY BE MADE OF
THIS DOCUMENT WITHOUT EXPRESS WRITTEN
PERMISSION OF NEOCONIX.

REVISION				
REV	ECN	DESCRIPTION	DATE	APPROVED
A	1263	PRODUCTION RELEASE	12-10-2019	WES TAO



NOTES:

- IT IS ACCEPTABLE TO ROTATE THE POSITION OF THE VIAS AS NEEDED.
- IF THE VIA NEEDS TO BE LOCATED WITHIN THE 0.70MM PAD DIAMETER, IT MUST BE FILLED, PLATED, AND PLANARIZED WITH 25UM MAX DIMPLE.
- SOLDERMASK APPLICATION IN THE ARRAY AREA IS OPTIONAL. IF APPLIED, IT SHALL NOT PROTRUDE MORE THAN 0.03MM ABOVE THE SURFACE OF THE MATING PADS.

<p>4020 MOORPARK AVENUE #108 SAN JOSE, CA 95117 USA TEL: 408-530-9393 FAX: 408-530-9383</p>	<p>DIMENSIONS ARE IN MM [INCH]</p> <p>.X ± .XX ± .XXX ± ANGLE: NO DEC ± .X ± .XX ±</p> <p>THIRD ANGLE</p>	<p>MATERIAL: SEE NOTES</p> <p>FINISH:</p> <p>DRAWN BY: W.B.LONG 03-20-2015</p> <p>CHECKED BY:</p> <p>ENGR APPR:</p> <p>MFG APPR:</p> <p>QA APPR:</p>	<p>TITLE: RECOMMENDED FPC LAYOUT SPH2-LF150A</p> <p>DWG NUMBER: SPH2-LF150A-FPC</p> <p>REV A</p> <p>SCALE: 4:1 SHEET 4 OF 4</p>
	<p>SIZE B+</p>	<p>DATE: 03-20-2015</p>	<p>REV A</p>
	<p>SCALE: 4:1</p>	<p>SHEET 4 OF 4</p>	