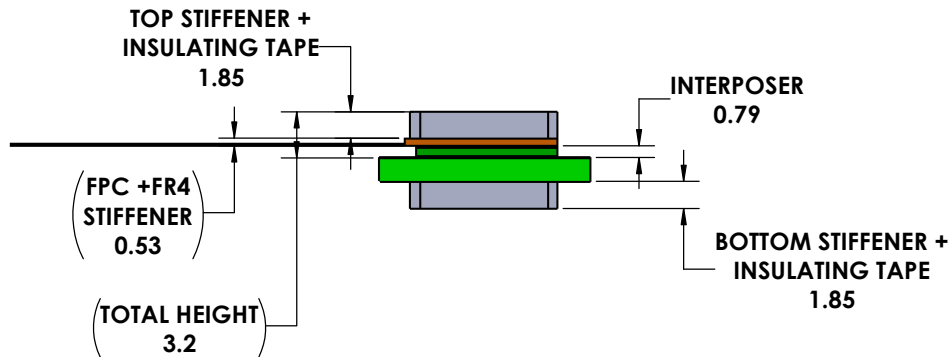
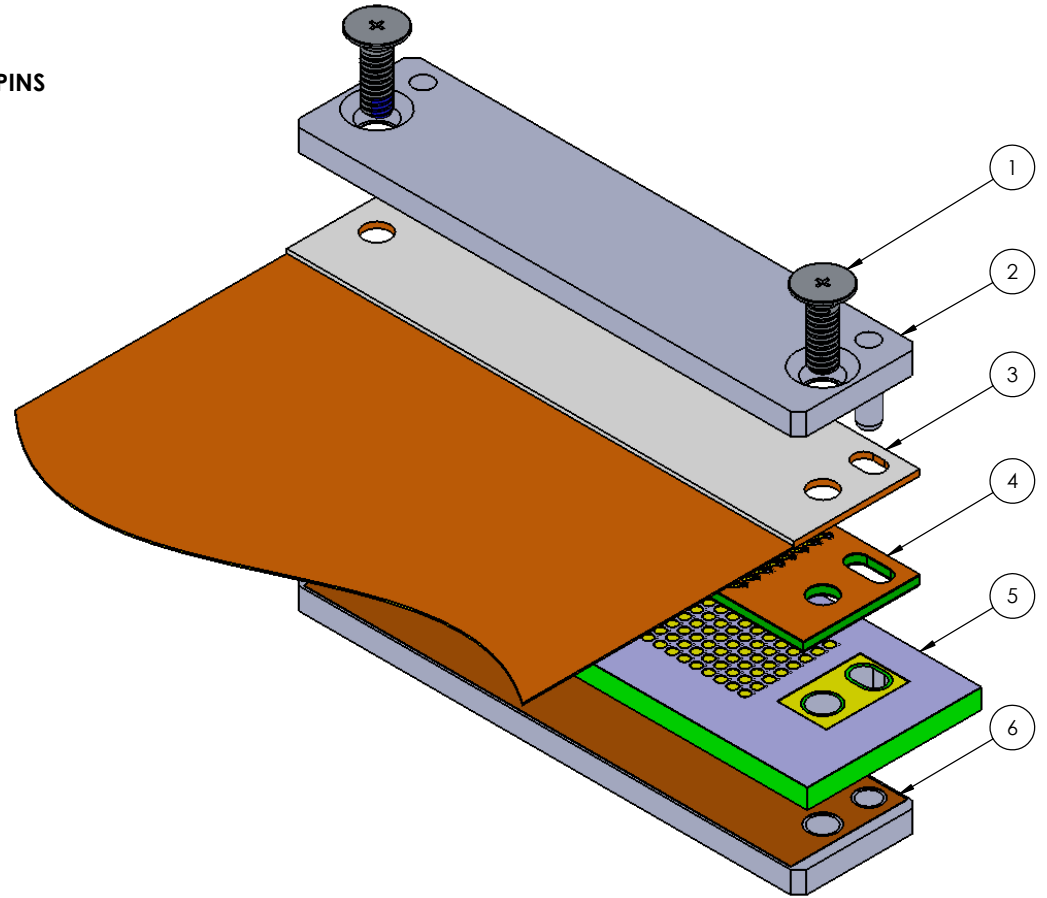
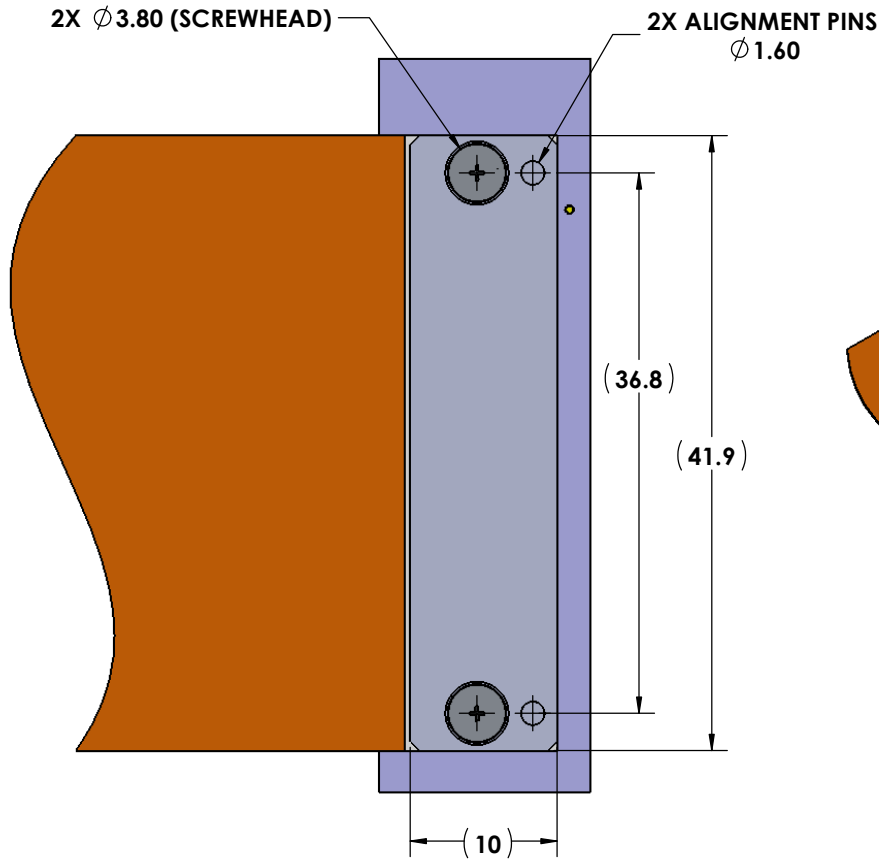


- PROPRIETARY INFORMATION -
NO USE OR REPRODUCTION MAY BE MADE OF
THIS DOCUMENT WITHOUT EXPRESS WRITTEN
PERMISSION OF NEOCONIX.

REVISION				
REV	ECN	DESCRIPTION	DATE	DESIGN BY
1	0000	INITIAL RELEASE	03-01-2023	TAN N



ITEM	DESCRIPTION	NEOCONIX P/N	QTY PER ASSY
1	M2 FLATHEAD SCREW	VARIOUS *	2
2	TOP STIFFENER	B01-000841-LXXX*	1
3	FPC	CUSTOM UPON REQUEST	1
4	INTERPOSER	SPH2-LD240A	1
5	PCB	N/A - CUSTOMER SUPPLIED	1
6	BOTTOM STIFFENER	B01-000627	1

* SEE **AS-000034** FOR VARIOUS PART NUMBER
OPTIONS BASED ON ASSEMBLY THICKNESS STACKUP.
ALL ITEMS ORDERED SEPARATELY.

necconix
4020 MOORPARK AVENUE #108
SAN JOSE, CA 95117 USA
TEL: 408-530-9393 FAX: 408-530-9383

DIMENSIONS ARE IN
MM [INCH]
.X ±
.XX ±
.XXX ±
ANGLE: NO DEC ±
.X ±
.XX ±

MATERIAL: **SEE NOTES**

FINISH:

DRAWN BY: **TAN NGUYEN** 03-01-2023

CHECKED BY: **FRED HOOPER** 03-01-2023

ENGR APPR: _____

MFG APPR: _____

QA APPR: _____

TITLE: **SPH2 ASSEMBLY
240 POSITIONS LGA-LGA**

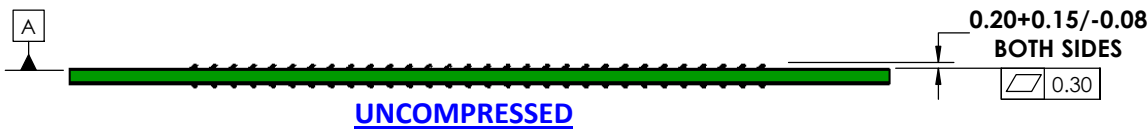
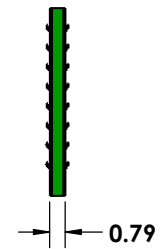
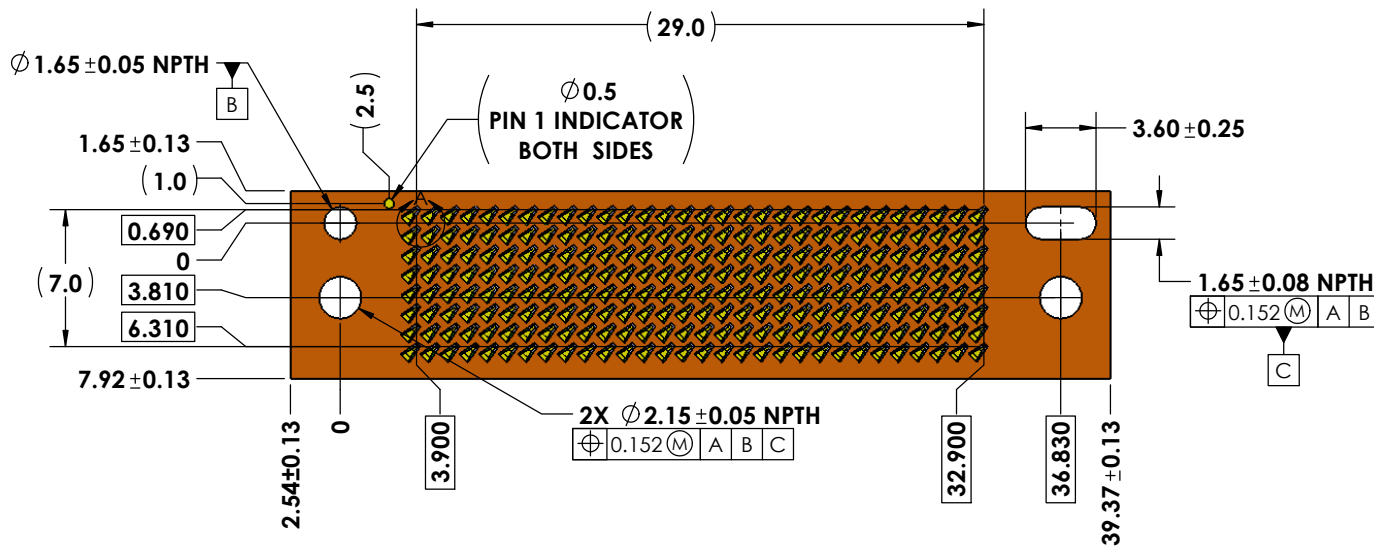
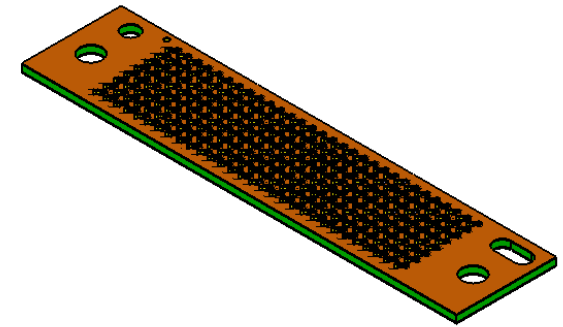
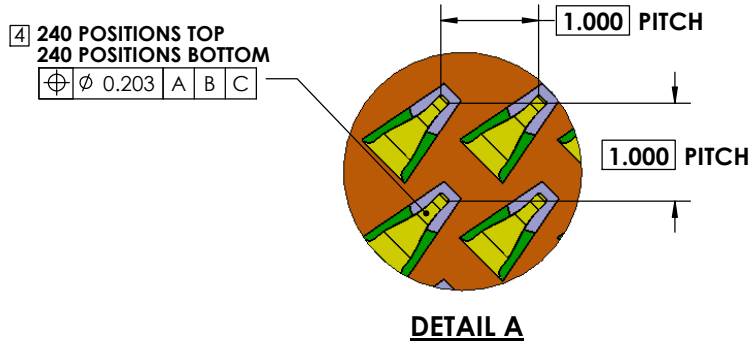
SIZE: **B+**

DWG NUMBER: **SPH2-LD240A-ASY**

REV: **1**

SCALE: 3:1 SHEET 1 OF 4

REVISION				
REV	ECN	DESCRIPTION	DATE	DESIGN BY
1	0000	INITIAL RELEASE	03-01-2023	TAN N

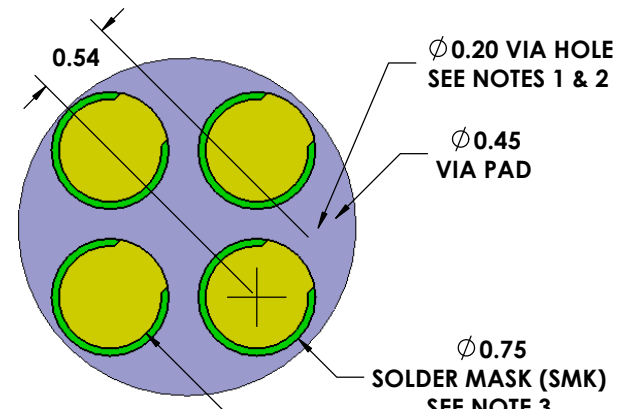
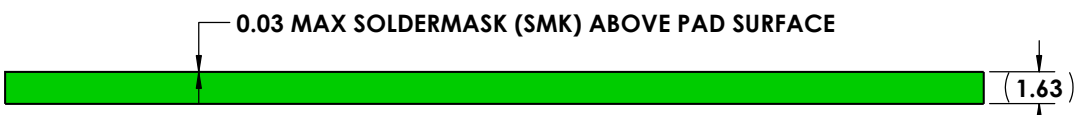
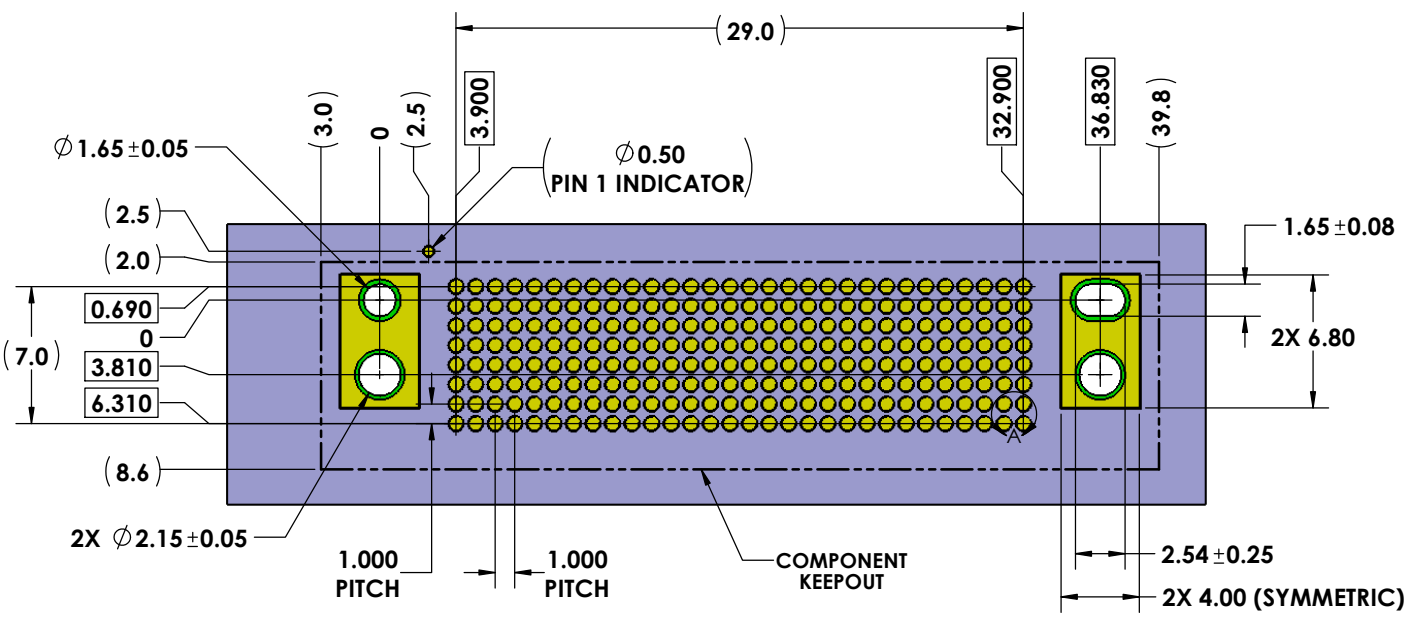


NOTES (UNLESS OTHERWISE SPECIFIED):

1. INTERPRET DRAWING PER ASME Y14.5M-1994.
2. HALOGEN-FREE PER IPC-4101B.
3. COMPLIANT WITH RoHS DIRECTIVE 2011/65/EU.
- 4** CENTER MARKS OF CONTACT POSITIONS ARE FOR COMPRESSED STATE

<p>4020 MOORPARK AVENUE #108 SAN JOSE, CA 95117 USA TEL: 408-530-9393 FAX: 408-530-9383</p>	DIMENSIONS ARE IN MM [INCH] .X \pm 0.13 .XX \pm 0.08 .XXX \pm 0.025 ANGLE: NO DEC \pm 2 DEGREE .X \pm .XX \pm		MATERIAL: SEE NOTES FINISH:		TITLE: SPH2 INTERPOSER 240 POS LGA-LGA	
	DRAWN BY: TAN NGUYEN CHECKED BY: FRED HOOPER		03-01-2023 03-01-2023		SIZE: B+	
	ENGR APPR: MFG APPR: QA APPR:		03-01-2023 03-01-2023		REV: 1 DWG NUMBER: SPH2-LD240A	
	THIRD ANGLE		SCALE: 4:1		SHEET 2 OF 4	

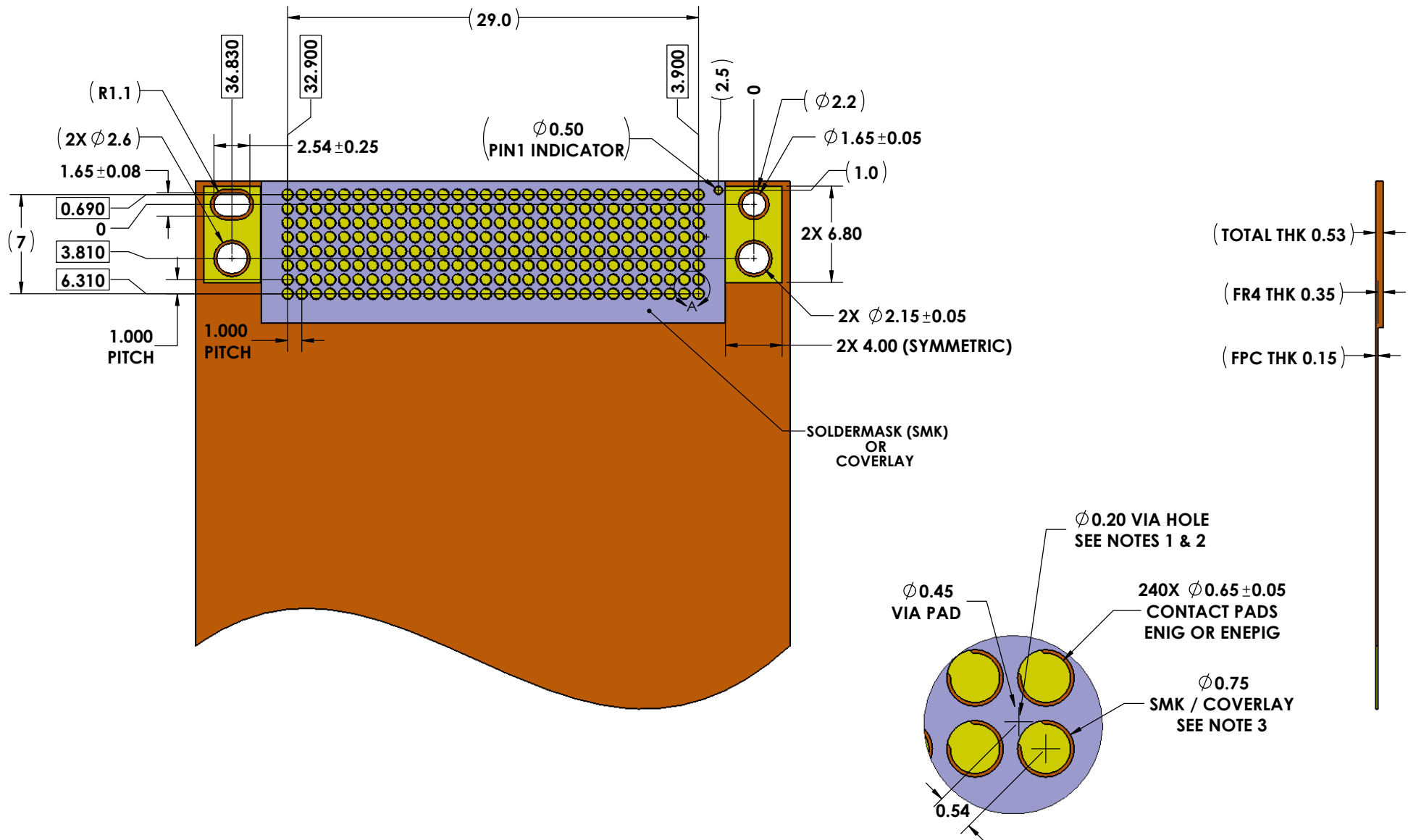
REVISION				
REV	ECN	DESCRIPTION	DATE	DESIGN BY
1	0000	INITIAL RELEASE	03-01-2023	TAN N



- NOTES:
- IT IS ACCEPTABLE TO ROTATE THE POSITION OF THE VIAS AS NEEDED.
 - IF THE VIA NEEDS TO BE LOCATED WITHIN THE 0.65MM PAD DIAMETER, IT MUST BE FILLED, PLATED, AND PLANARIZED WITH 25UM MAX DIMPLE.
 - SOLDERMASK APPLICATION IN THE ARRAY AREA IS OPTIONAL. IF APPLIED, IT SHALL NOT PROTRUDE MORE THAN 0.03MM ABOVE THE SURFACE OF THE MATING PADS.

<p>4020 MOORPARK AVENUE #108 SAN JOSE, CA 95117 USA TEL: 408-530-9393 FAX: 408-530-9383</p>	DIMENSIONS ARE IN MM [INCH]	MATERIAL: SEE NOTES	TITLE: RECOMMENDED PCB LAYOUT SPH2-LD240A
	FINISH:	DRAWN BY: TAN NGUYEN 03-01-2023	SIZE: B+
	ANGLE: NO DEC ± XXX ± XXX ± XX ±	CHECKED BY: FRED HOOPER 03-01-2023	DWG NUMBER: SPH2-LD240A-PCB
	THIRD ANGLE	ENGR APPR:	REV: 1
	MFG APPR:	QA APPR:	SCALE: 4:1 SHEET 3 OF 4

REVISION				
REV	ECN	DESCRIPTION	DATE	DESIGN BY
1	0000	INITIAL RELEASE	03-01-2023	TAN N



- NOTES:**
- IT IS ACCEPTABLE TO ROTATE THE POSITION OF THE VIAS AS NEEDED.
 - IF THE VIA NEEDS TO BE LOCATED WITHIN THE 0.65MM PAD DIAMETER, IT MUST BE FILLED, PLATED, AND PLANARIZED WITH 25UM MAX DIMPLE.
 - SOLDERMASK APPLICATION IN THE ARRAY AREA IS OPTIONAL. IF APPLIED, IT SHALL NOT PROTRUDE MORE THAN 0.03MM ABOVE THE SURFACE OF THE MATING PADS.

<p>4020 MOORPARK AVENUE #108 SAN JOSE, CA 95117 USA TEL: 408-530-9393 FAX: 408-530-9383</p>	DIMENSIONS ARE IN MM [INCH]	MATERIAL: SEE NOTES	TITLE: RECOMMENDED FPC LAYOUT SPH2-LD240A
	FINISH:	DRAWN BY: TAN NGUYEN 03-01-2023	SIZE: B+
	CHECKED BY: FRED HOOPER 03-01-2023	ENGR APPR:	DWG NUMBER: SPH2-LD240A-FPC
	ANGLE: NO DEC ± .X XX ± .XX ±	MFG APPR:	REV: 1
THIRD ANGLE	QA APPR:	SCALE: 4:1	SHEET 4 OF 4