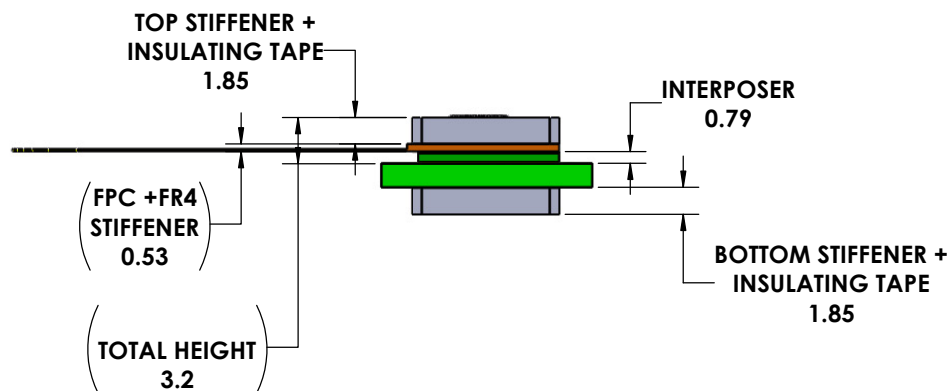
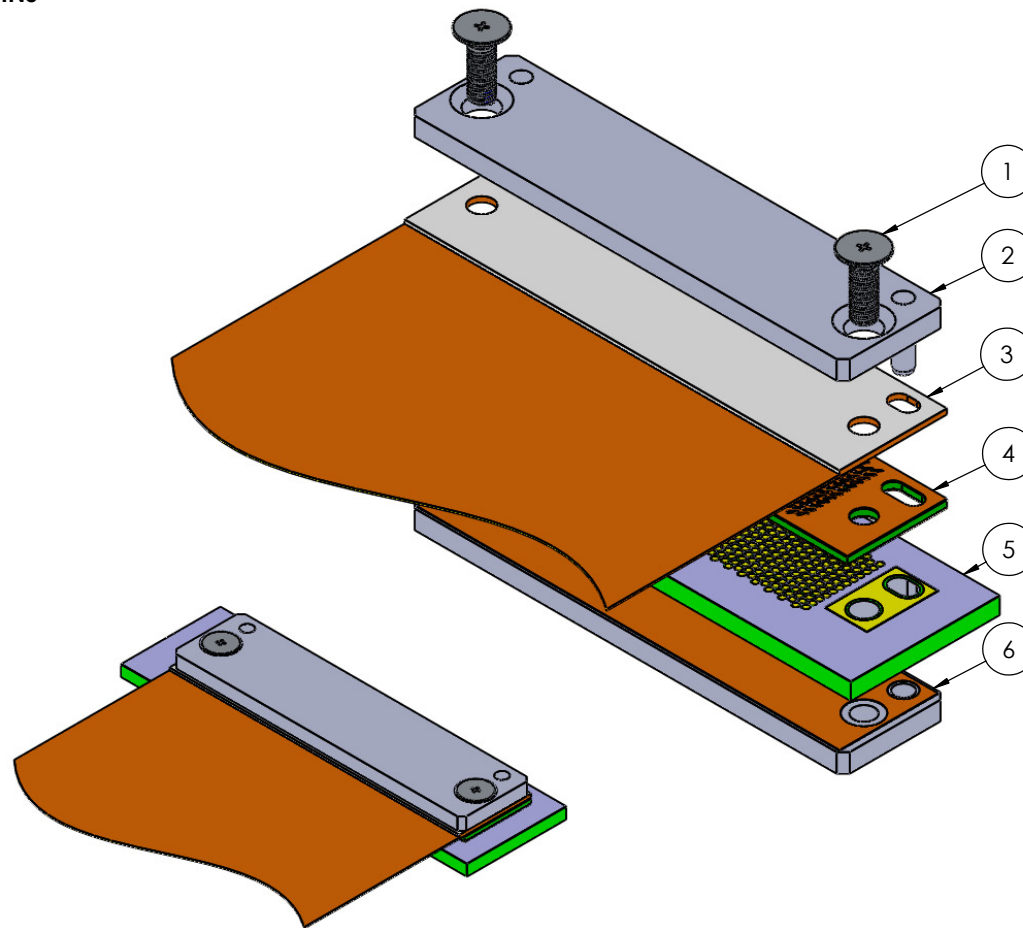
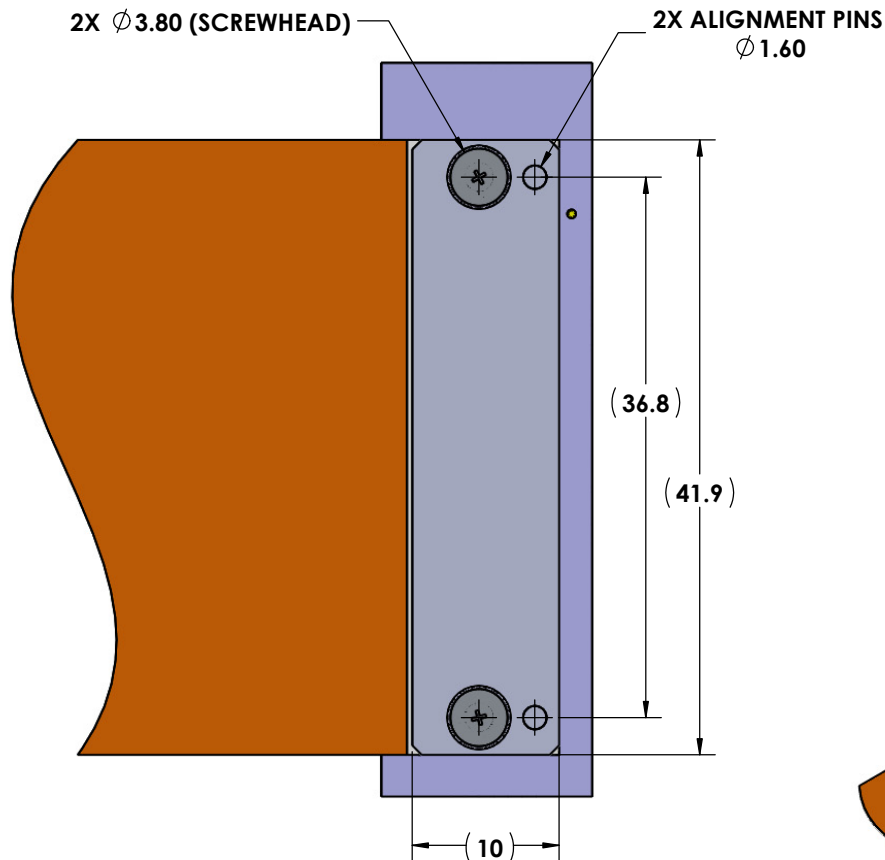


- PROPRIETARY INFORMATION -
NO USE OR REPRODUCTION MAY BE MADE OF
THIS DOCUMENT WITHOUT EXPRESS WRITTEN
PERMISSION OF NEOCONIX.

REVISION				
REV	ECN	DESCRIPTION	DATE	DESIGN BY
1	0000	INITIAL RELEASE	03-01-2023	TAN N



ITEM	DESCRIPTION	NEOCONIX P/N	QTY PER ASSY
1	M2 FLATHEAD SCREW	VARIOUS *	2
2	TOP STIFFENER	B01-000841-LXXX*	1
3	FPC	CUSTOM UPON REQUEST	1
4	INTERPOSER	SPH2-LC576A	1
5	PCB	N/A - CUSTOMER SUPPLIED	1
6	BOTTOM STIFFENER	B01-000627	1

* SEE **AS-000034** FOR VARIOUS PART NUMBER
OPTIONS BASED ON ASSEMBLY THICKNESS STACKUP.
ALL ITEMS ORDERED SEPARATELY.

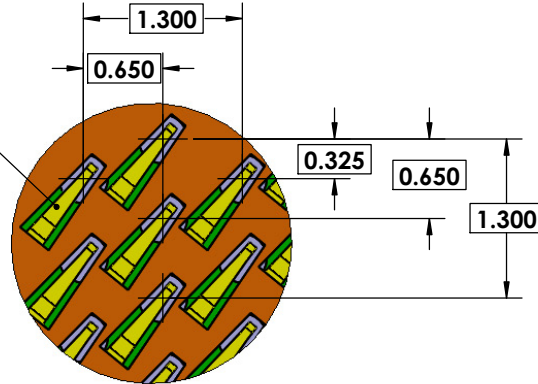
<p>necconix</p> <p>4020 MOORPARK AVENUE #108 SAN JOSE, CA 95117 USA TEL: 408-530-9393 FAX: 408-530-9383</p>	DIMENSIONS ARE IN MM [INCH]	MATERIAL: SEE NOTES	TITLE: SPH2 ASSEMBLY 576 POSITIONS LGA-LGA
	FINISH:	DRAWN BY: TAN NGUYEN 03-01-2023	SIZE:
	CHECKED BY: FRED HOOPER 03-01-2023	ENGR APPR:	B+
	ANGLE: NO DEC \pm XXX \pm XX \pm X \pm	MFG APPR:	QA APPR:
THIRD ANGLE			DWG NUMBER: SPH2-LC576A-ASY REV 1
SCALE: 3:1			SHEET 1 OF 4

- PROPRIETARY INFORMATION -
NO USE OR REPRODUCTION MAY BE MADE OF
THIS DOCUMENT WITHOUT EXPRESS WRITTEN
PERMISSION OF NEOCONIX.

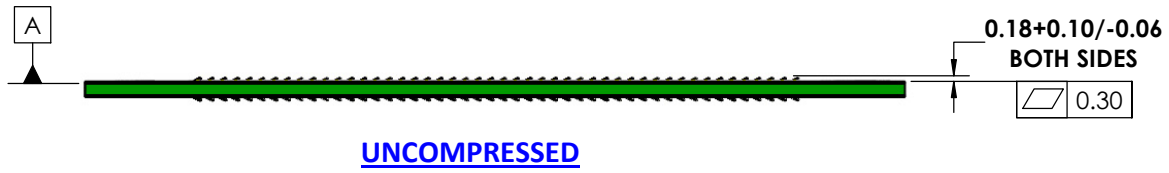
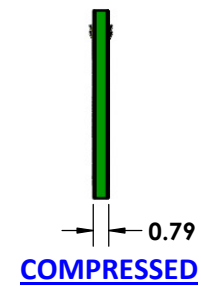
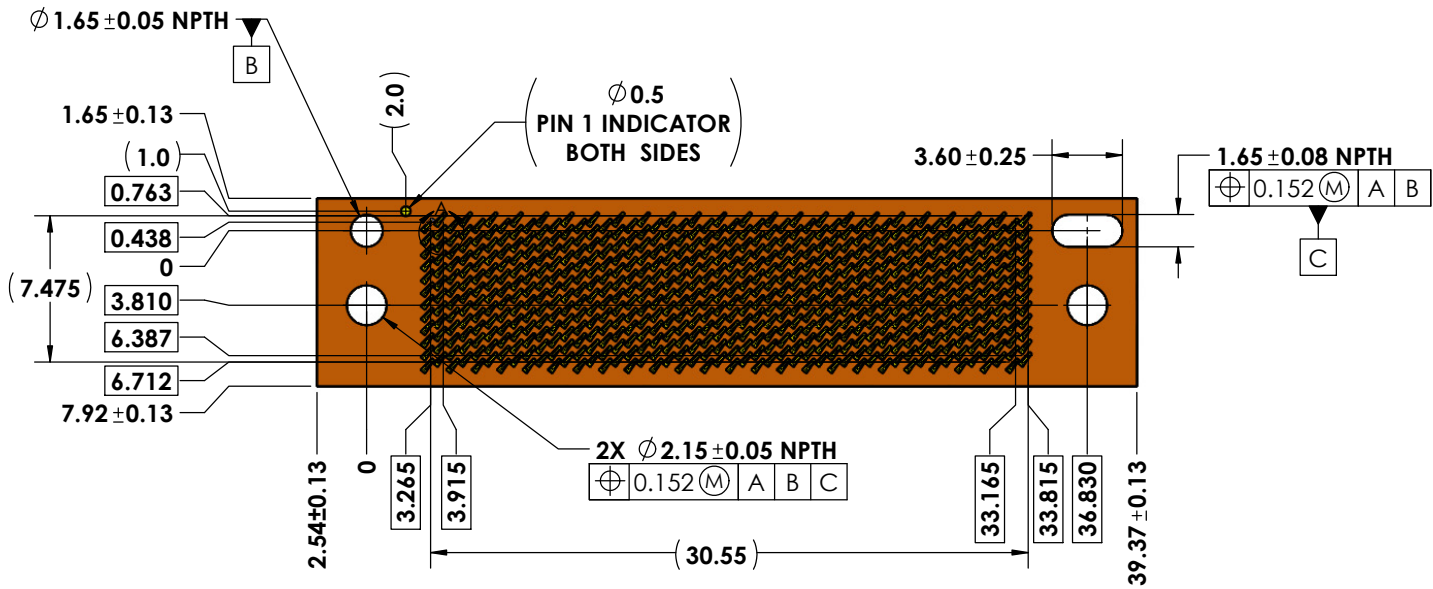
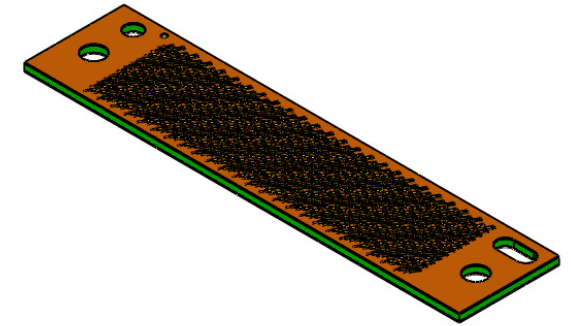
REVISION				
REV	ECN	DESCRIPTION	DATE	DESIGN BY
1	0000	INITIAL RELEASE	03-01-2023	TAN N

4 576 POSITIONS TOP
576 POSITIONS BOTTOM

$\varnothing 0.203$ A B C



DETAIL A

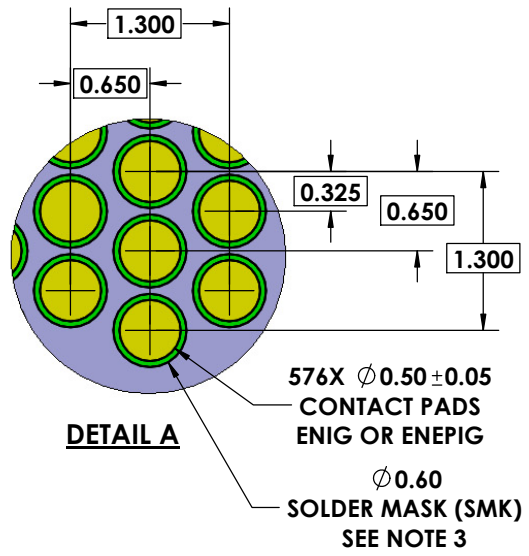
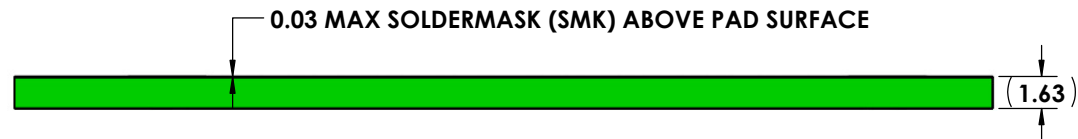
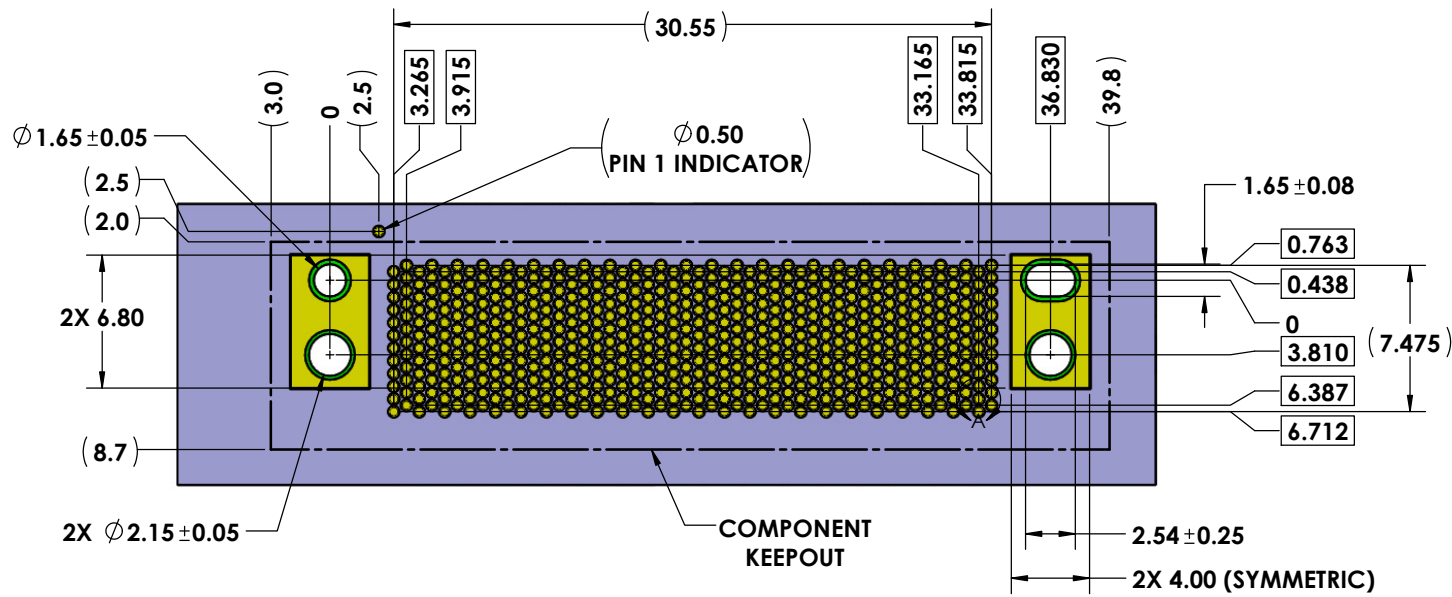


NOTES (UNLESS OTHERWISE SPECIFIED):

1. INTERPRET DRAWING PER ASME Y14.5M-1994.
 2. HALOGEN-FREE PER IPC-4101B.
 3. COMPLIANT WITH RoHS DIRECTIVE 2011/65/EU.
- 4 CENTER MARKS OF CONTACT POSITIONS ARE FOR COMPRESSED STATE

<p>4020 MOORPARK AVENUE #108 SAN JOSE, CA 95117 USA TEL: 408-530-9393 FAX: 408-530-9383</p>	DIMENSIONS ARE IN MM [INCH] .X ±0.13 .XX ±0.08 .XXX ±0.025 ANGLE: NO DEC ± 2 DEGREE .X ± .XX ±	MATERIAL: SEE NOTES FINISH: DRAWN BY: TAN NGUYEN 03-01-2023 CHECKED BY: FRED HOOPER 03-01-2023 ENGR APPR: MFG APPR: QA APPR:	TITLE: SPH2 INTERPOSER 576 POS LGA-LGA DWG NUMBER: SPH2-LC576A SCALE: 4:1 SHEET 2 OF 4
	THIRD ANGLE	SIZE: B+	REV: 1

REVISION				
REV	ECN	DESCRIPTION	DATE	DESIGN BY
1	0000	INITIAL RELEASE	03-01-2023	TAN N

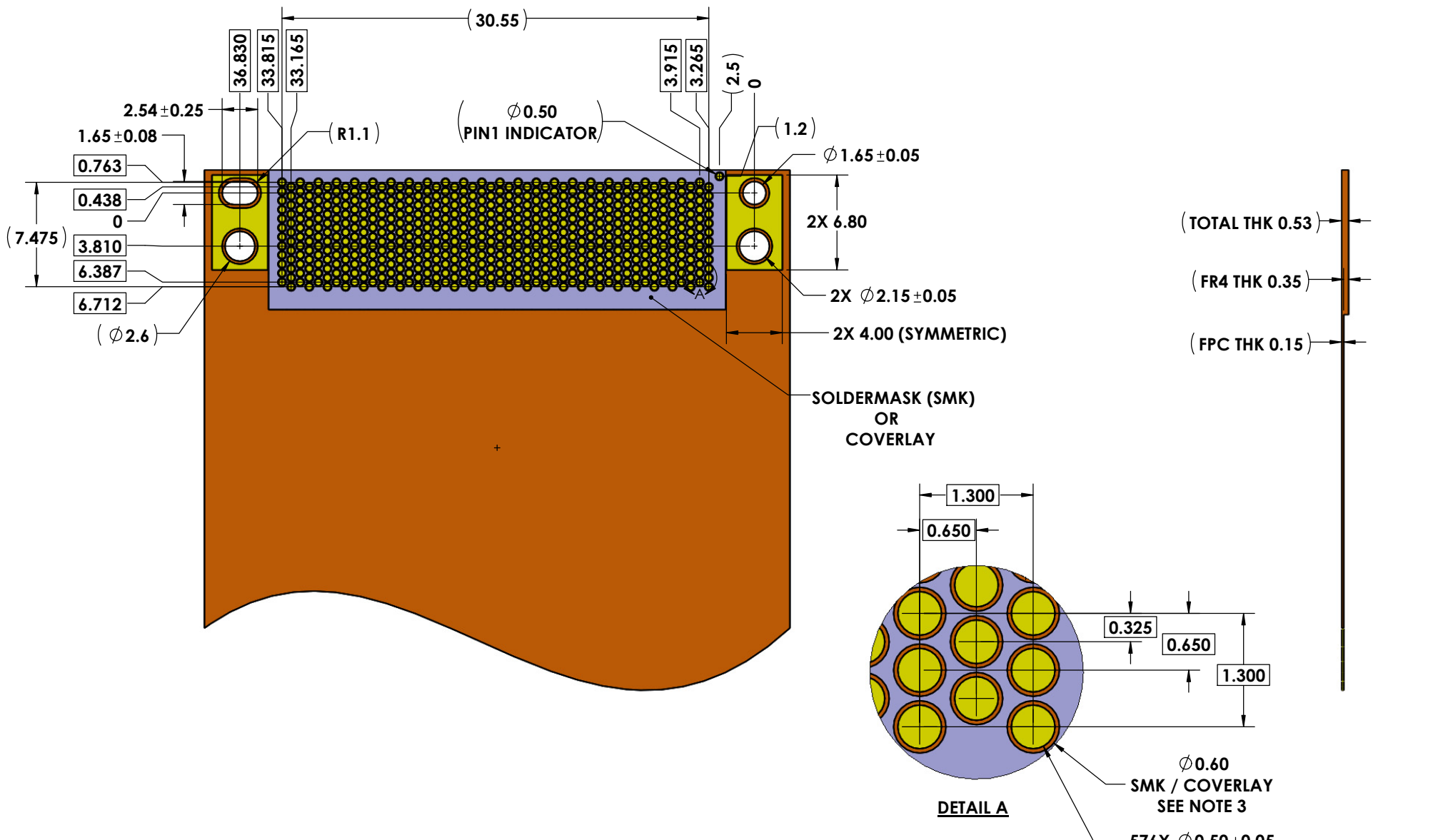


NOTES:

1. IT IS ACCEPTABLE TO ROTATE THE POSITION OF THE VIAS AS NEEDED.
2. IF THE VIA NEEDS TO BE LOCATED WITHIN THE 0.50MM PAD DIAMETER, IT MUST BE FILLED, PLATED, AND PLANARIZED WITH 25UM MAX DIMPLE.
3. SOLDERMASK APPLICATION IN THE ARRAY AREA IS OPTIONAL. IF APPLIED, IT SHALL NOT PROTRUDE MORE THAN 0.03MM ABOVE THE SURFACE OF THE MATING PADS.

<p>necconix 4020 MOORPARK AVENUE #108 SAN JOSE, CA 95117 USA TEL: 408-530-9393 FAX: 408-530-9383</p>	DIMENSIONS ARE IN MM [INCH]	MATERIAL: SEE NOTES	TITLE: RECOMMENDED PCB LAYOUT SPH2-LC576A
	FINISH:	DRAWN BY: TAN NGUYEN 03-01-2023	SIZE: B+
	ANGLE: NO DEC ±	CHECKED BY: FRED HOOPER 03-01-2023	DWG NUMBER: SPH2-LC576A-PCB
	THIRD ANGLE	ENGR APPR:	REV: 1
	MFG APPR:	QA APPR:	SCALE: 4:1 SHEET 3 OF 4

REVISION				
REV	ECN	DESCRIPTION	DATE	DESIGN BY
1	0000	INITIAL RELEASE	03-01-2023	TAN N



- NOTES:**
1. IT IS ACCEPTABLE TO ROTATE THE POSITION OF THE VIAS AS NEEDED.
 2. IF THE VIA NEEDS TO BE LOCATED WITHIN THE 0.50MM PAD DIAMETER, IT MUST BE FILLED, PLATED, AND PLANARIZED WITH 25UM MAX DIMPLE.
 3. SOLDERMASK APPLICATION IN THE ARRAY AREA IS OPTIONAL. IF APPLIED, IT SHALL NOT PROTRUDE MORE THAN 0.03MM ABOVE THE SURFACE OF THE MATING PADS.

<p>necconix</p> <p>4020 MOORPARK AVENUE #108 SAN JOSE, CA 95117 USA TEL: 408-530-9393 FAX: 408-530-9383</p>	DIMENSIONS ARE IN MM [INCH]	MATERIAL: SEE NOTES	TITLE: RECOMMENDED FPC LAYOUT SPH2-LC576A
	FINISH:	DRAWN BY: TAN NGUYEN 03-01-2023	SIZE: B+
	CHECKED BY: FRED HOOPER 03-01-2023	ENGR APPR:	DWG NUMBER: SPH2-LC576A-FPC
	ANGLE: NO DEC ± .X ± .XX ± .XXX ± THIRD ANGLE	MFG APPR:	REV: 1
QA APPR:			SCALE: 4:1 SHEET 4 OF 4