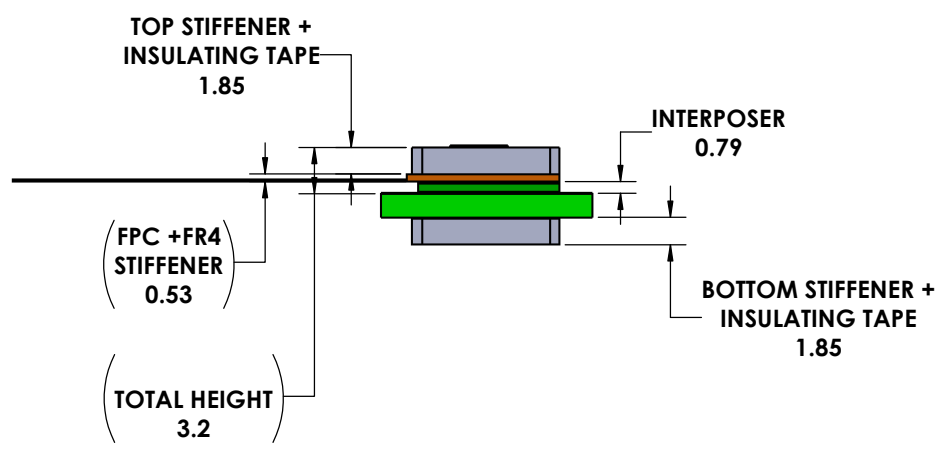
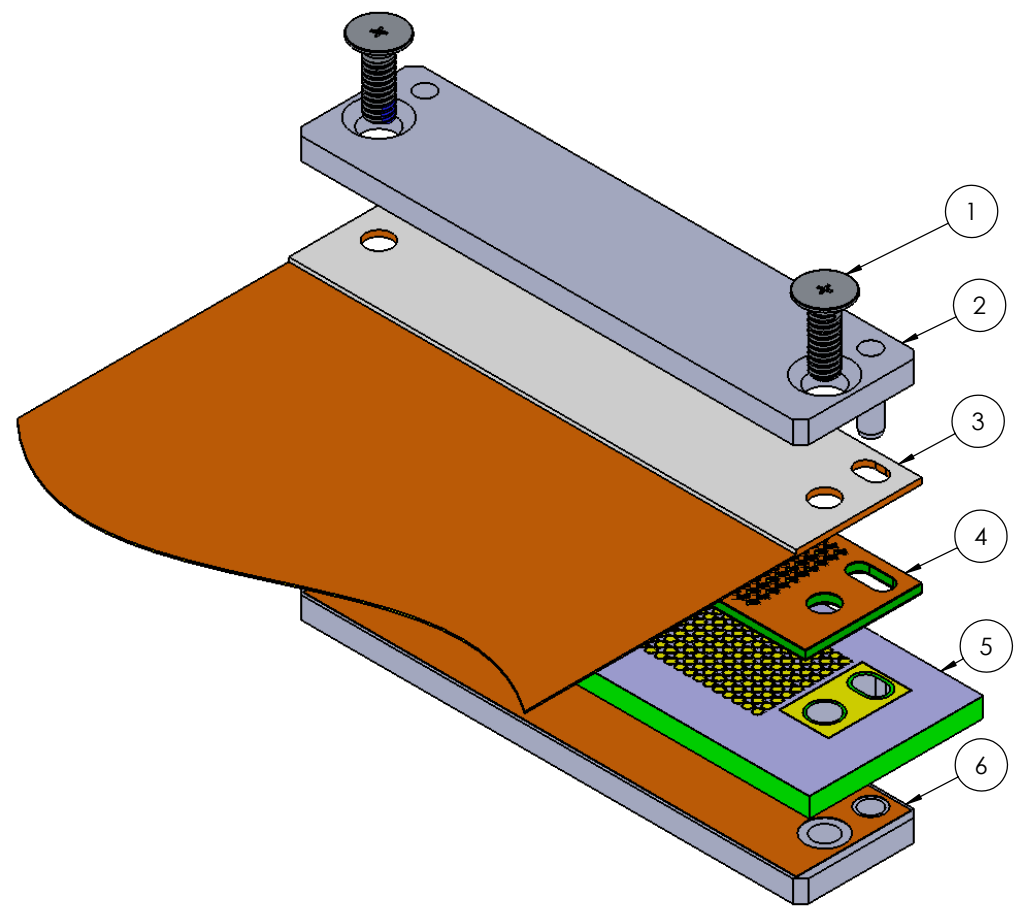
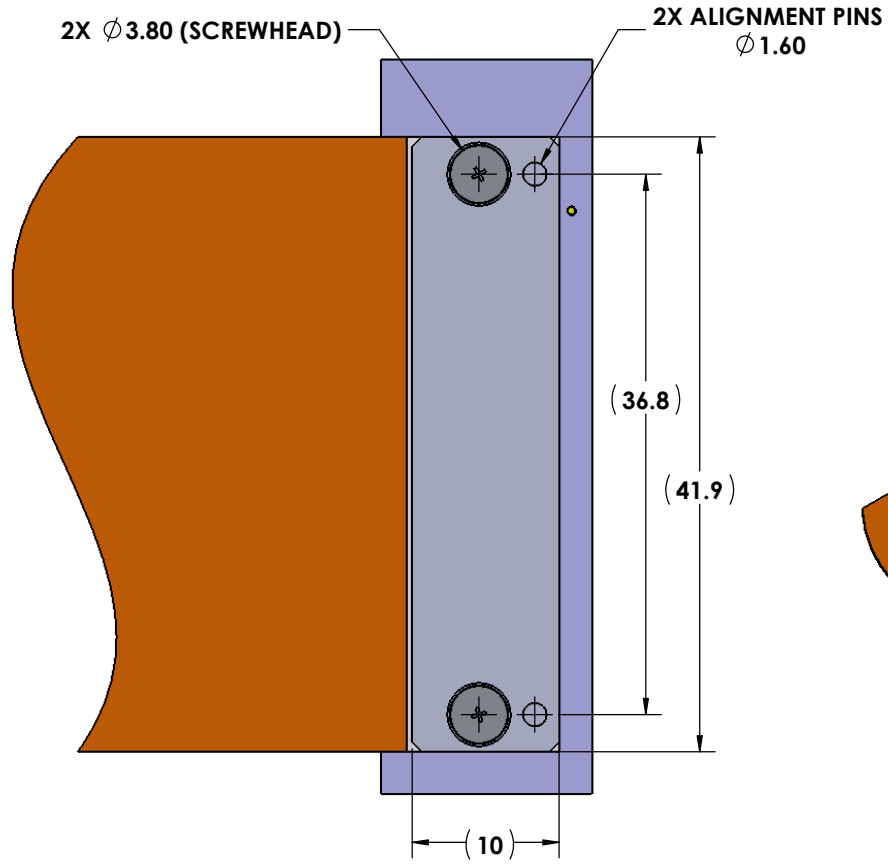


- PROPRIETARY INFORMATION -
NO USE OR REPRODUCTION MAY BE MADE OF
THIS DOCUMENT WITHOUT EXPRESS WRITTEN
PERMISSION OF NEOCONIX.

REVISION				
REV	ECN	DESCRIPTION	DATE	DESIGN BY
1	0000	INITIAL RELEASE	03-01-2023	TAN N

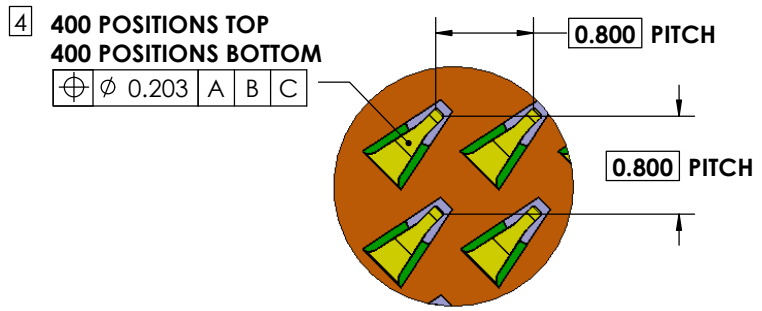


ITEM	DESCRIPTION	NEOCONIX P/N	QTY PER ASSY
1	M2 FLATHEAD SCREW	VARIOUS *	2
2	TOP STIFFENER	B01-000841-LXXX*	1
3	FPC	CUSTOM UPON REQUEST	1
4	INTERPOSER	SPH2-LC400A	1
5	PCB	N/A - CUSTOMER SUPPLIED	1
6	BOTTOM STIFFENER	B01-000627	1

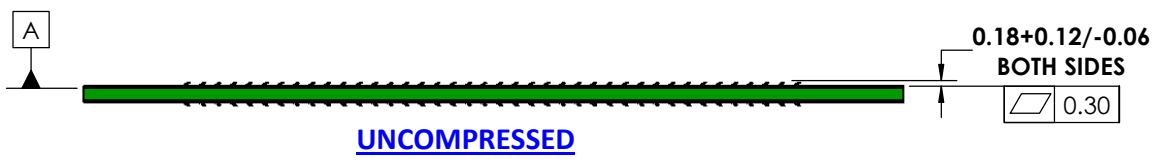
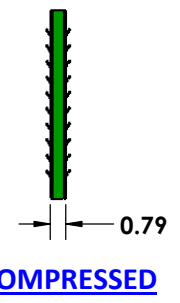
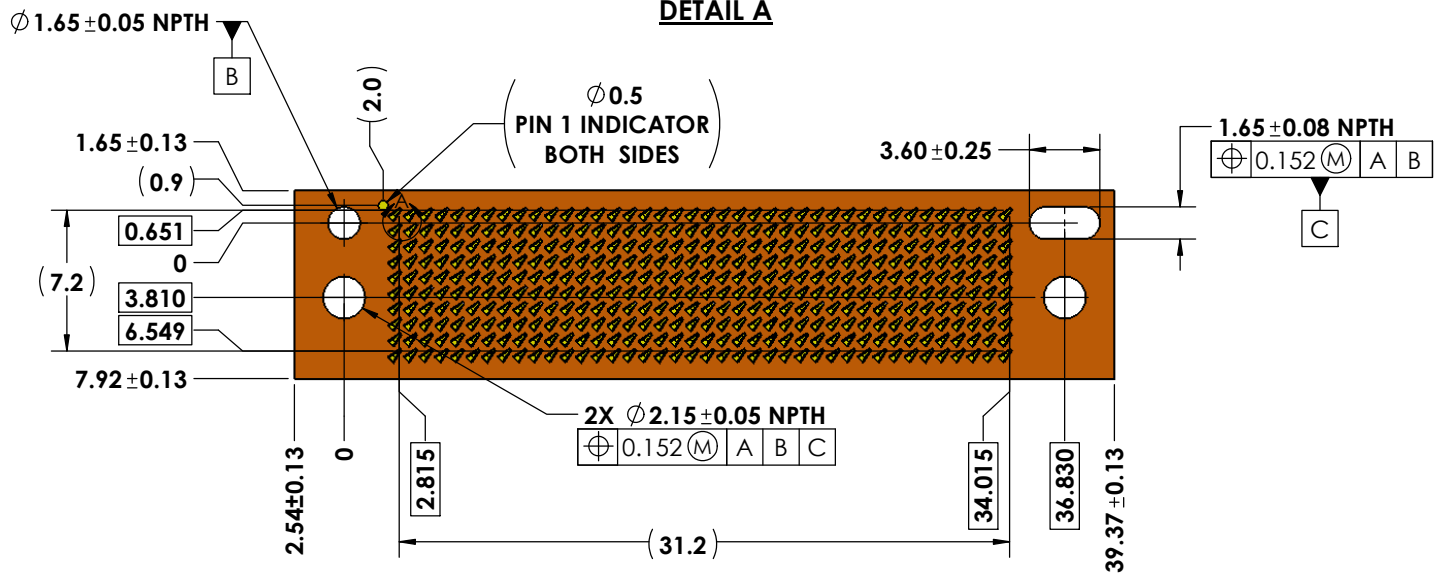
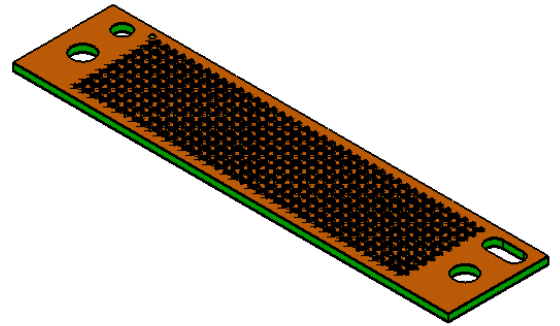
* SEE **AS-000034** FOR VARIOUS PART NUMBER
OPTIONS BASED ON ASSEMBLY THICKNESS STACKUP.
ALL ITEMS ORDERED SEPARATELY.

<p>4020 MOORPARK AVENUE #108 SAN JOSE, CA 95117 USA TEL: 408-530-9393 FAX: 408-530-9383</p>	DIMENSIONS ARE IN MM [INCH]	MATERIAL: SEE NOTES	TITLE: SPH2 ASSEMBLY 400 POSITIONS LGA-LGA
	FINISH:	DRAWN BY: TAN NGUYEN 03-01-2023	SIZE: B+
	CHECKED BY: FRED HOOPER 03-01-2023	ENGR APPR:	DWG NUMBER: SPH2-LC400A-ASY
	ANGLE: NO DEC \pm .X \pm .XX \pm .XXX \pm .XXX \pm	MFG APPR:	REV: 1
THIRD ANGLE	QA APPR:	SCALE: 3:1	SHEET 1 OF 4

REVISION				
REV	ECN	DESCRIPTION	DATE	DESIGN BY
1	0000	INITIAL RELEASE	03-01-2023	TAN N



DETAIL A

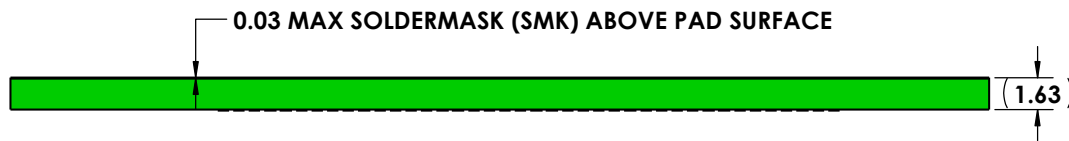
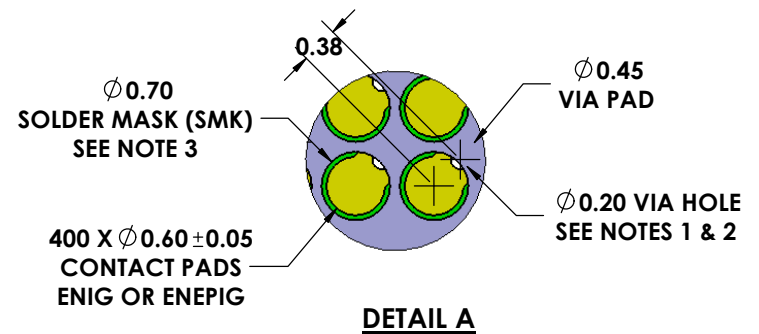
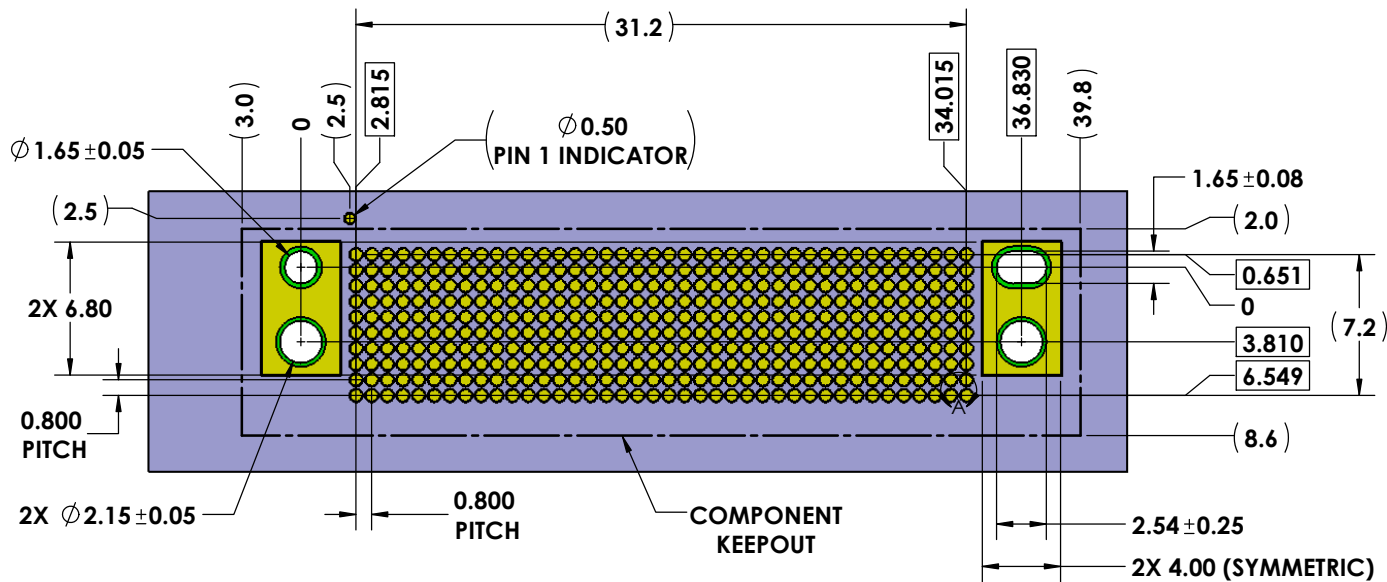


NOTES (UNLESS OTHERWISE SPECIFIED):

1. INTERPRET DRAWING PER ASME Y14.5M-1994.
 2. HALOGEN-FREE PER IPC-4101B.
 3. COMPLIANT WITH RoHS DIRECTIVE 2011/65/EU.
- 4 CENTER MARKS OF CONTACT POSITIONS ARE FOR COMPRESSED STATE

<p>4020 MOORPARK AVENUE #108 SAN JOSE, CA 95117 USA TEL: 408-530-9393 FAX: 408-530-9383</p>	DIMENSIONS ARE IN MM [INCH] .X ±0.13 .XX ±0.08 .XXX ±0.025 ANGLE: NO DEC ± 2 DEGREE .X ± .XX ±	MATERIAL: SEE NOTES FINISH:	TITLE: SPH2 INTERPOSER 400 POS LGA-LGA
	DRAWN BY: TAN NGUYEN CHECKED BY: FRED HOOPER	03-01-2023 03-01-2023	REV: 1
	ENGR APPR: MFG APPR: QA APPR:	SIZE: B+	DWG NUMBER: SPH2-LC400A
	THIRD ANGLE	SCALE: 4:1	SHEET 2 OF 4

REVISION				
REV	ECN	DESCRIPTION	DATE	DESIGN BY
1	0000	INITIAL RELEASE	03-01-2023	TAN N

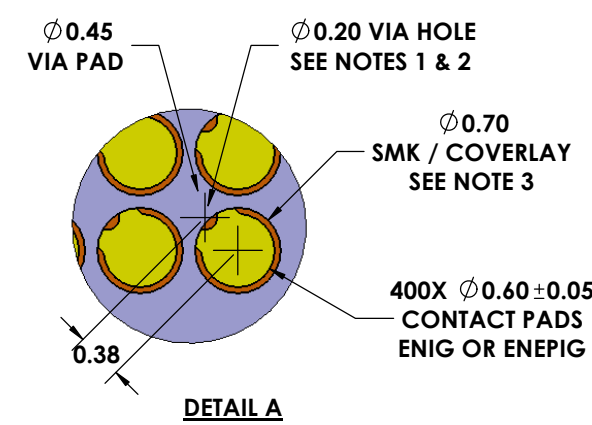
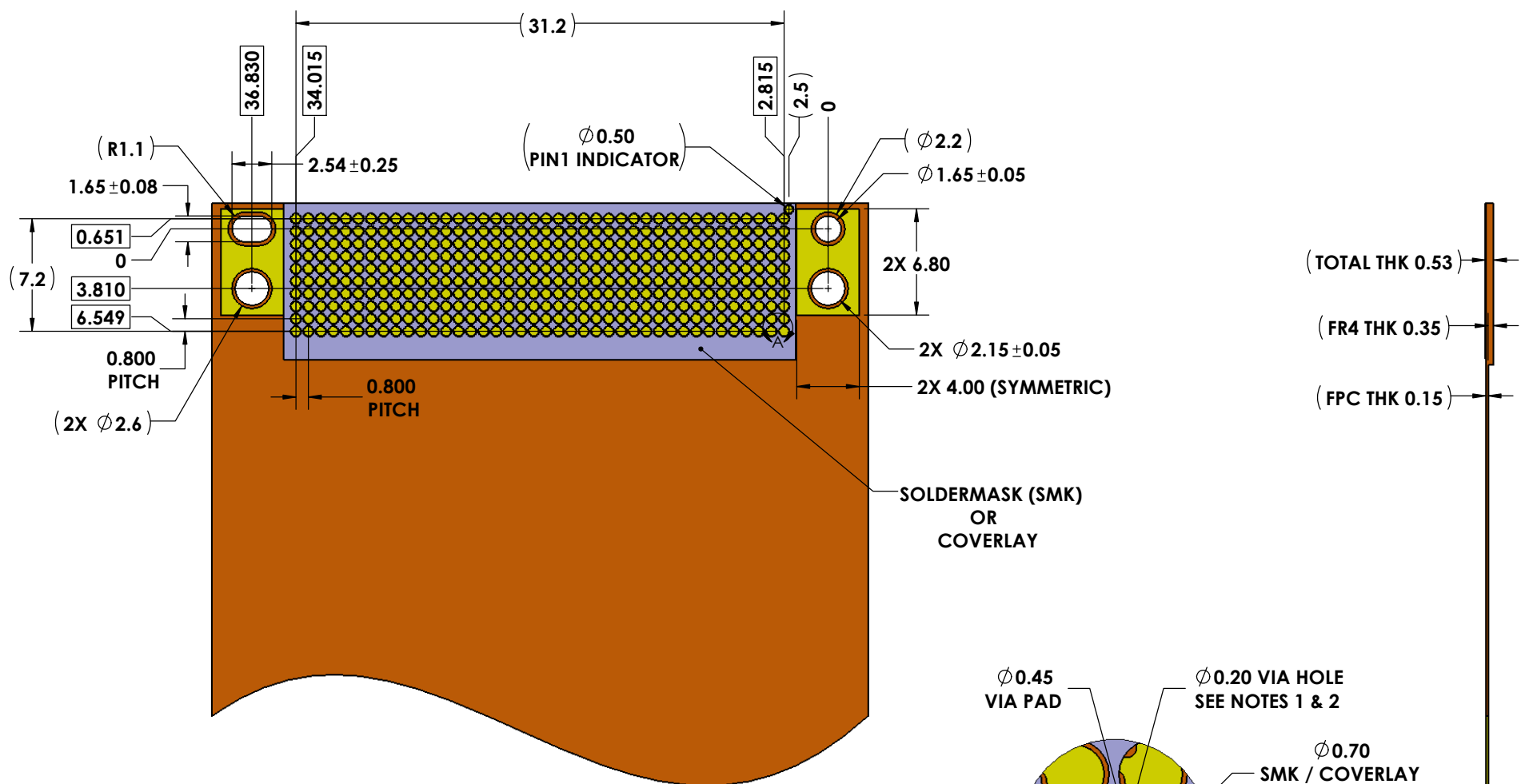


NOTES:

1. IT IS ACCEPTABLE TO ROTATE THE POSITION OF THE VIAS AS NEEDED.
2. IF THE VIA NEEDS TO BE LOCATED WITHIN THE 0.60MM PAD DIAMETER, IT MUST BE FILLED, PLATED, AND PLANARIZED WITH 25UM MAX DIMPLE.
3. SOLDERMASK APPLICATION IN THE ARRAY AREA IS OPTIONAL. IF APPLIED, IT SHALL NOT PROTRUDE MORE THAN 0.03MM ABOVE THE SURFACE OF THE MATING PADS.

 4020 MOORPARK AVENUE #108 SAN JOSE, CA 95117 USA TEL: 408-530-9393 FAX: 408-530-9383	DIMENSIONS ARE IN MM [INCH]		MATERIAL: SEE NOTES		TITLE: RECOMMENDED PCB LAYOUT SPH2-LC400A	
	.XX ±	.XXX ±	FINISH: <input checked="" type="checkbox"/>		DRAWN BY: TAN NGUYEN 03-01-2023	
	.XXX ±	.XXXX ±	DRAWN BY: TAN NGUYEN 03-01-2023		CHECKED BY: FRED HOOPER 03-01-2023	
	ANGLE: NO DEC ±	.X ±	ENGR APPR:		MFG APPR:	
THIRD ANGLE		QA APPR:		SIZE: B+	DWG NUMBER: SPH2-LC400A-PCB	REV: 1
				SCALE: 4:1		SHEET 3 OF 4

REVISION				
REV	ECN	DESCRIPTION	DATE	DESIGN BY
1	0000	INITIAL RELEASE	03-01-2023	TAN N



- NOTES:**
- IT IS ACCEPTABLE TO ROTATE THE POSITION OF THE VIAS AS NEEDED.
 - IF THE VIA NEEDS TO BE LOCATED WITHIN THE 0.60MM PAD DIAMETER, IT MUST BE FILLED, PLATED, AND PLANARIZED WITH 25UM MAX DIMPLE.
 - SOLDERMASK APPLICATION IN THE ARRAY AREA IS OPTIONAL. IF APPLIED, IT SHALL NOT PROTRUDE MORE THAN 0.03MM ABOVE THE SURFACE OF THE MATING PADS.

<p>4020 MOORPARK AVENUE #108 SAN JOSE, CA 95117 USA TEL: 408-530-9393 FAX: 408-530-9383</p>	DIMENSIONS ARE IN MM [INCH]		MATERIAL: SEE NOTES		TITLE: RECOMMENDED FPC LAYOUT SPH2-LC400A	
	FINISH: ✓		DRAWN BY: TAN NGUYEN 03-01-2023		SIZE: B+	
	DRAWN BY: TAN NGUYEN 03-01-2023		CHECKED BY: FRED HOOPER 03-01-2023		DWG NUMBER: SPH2-LC400A-FPC	
	ENGR APPR:		MFG APPR:		REV: 1	
<p>THIRD ANGLE</p>		QA APPR:		SCALE: 4:1		
				SHEET 4 OF 4		