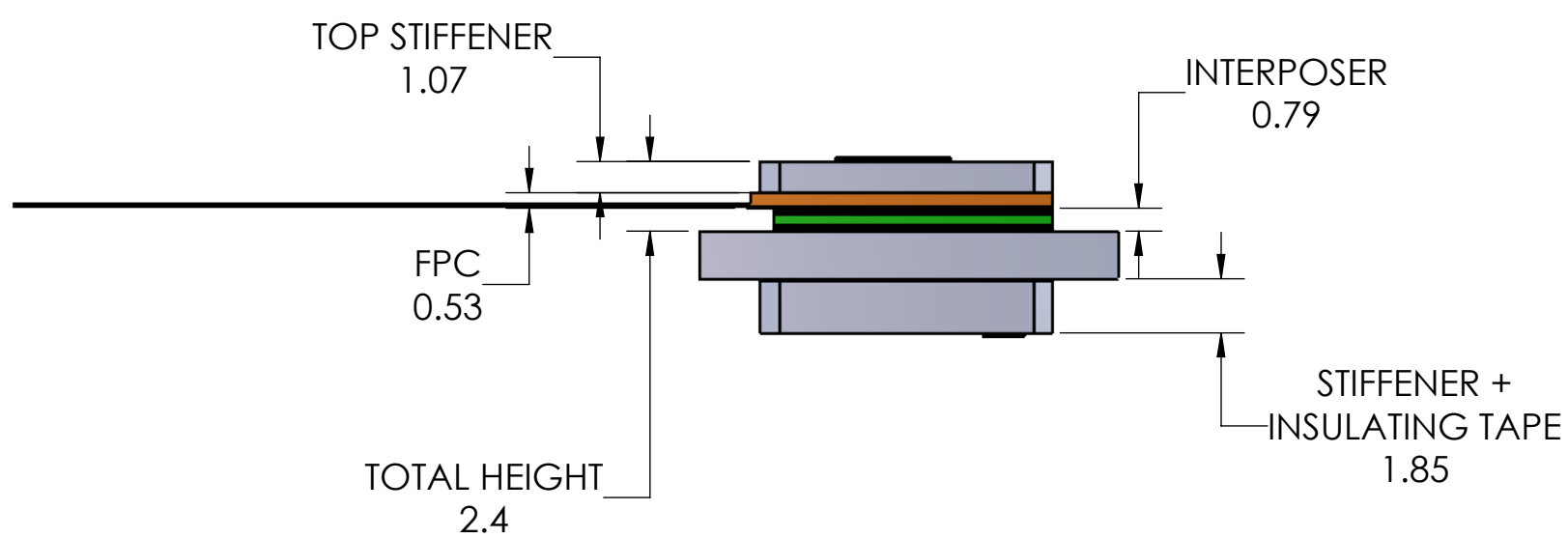
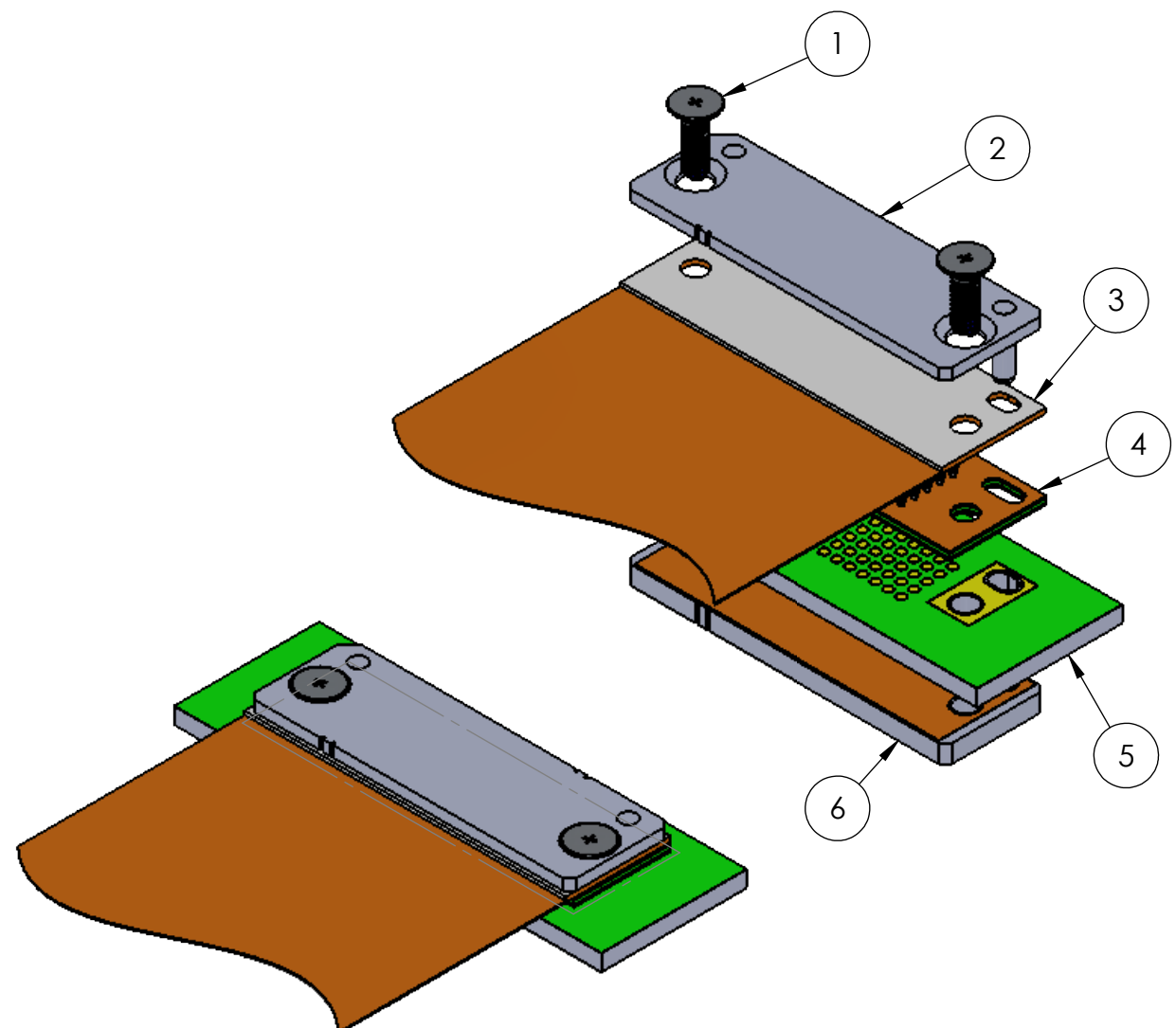
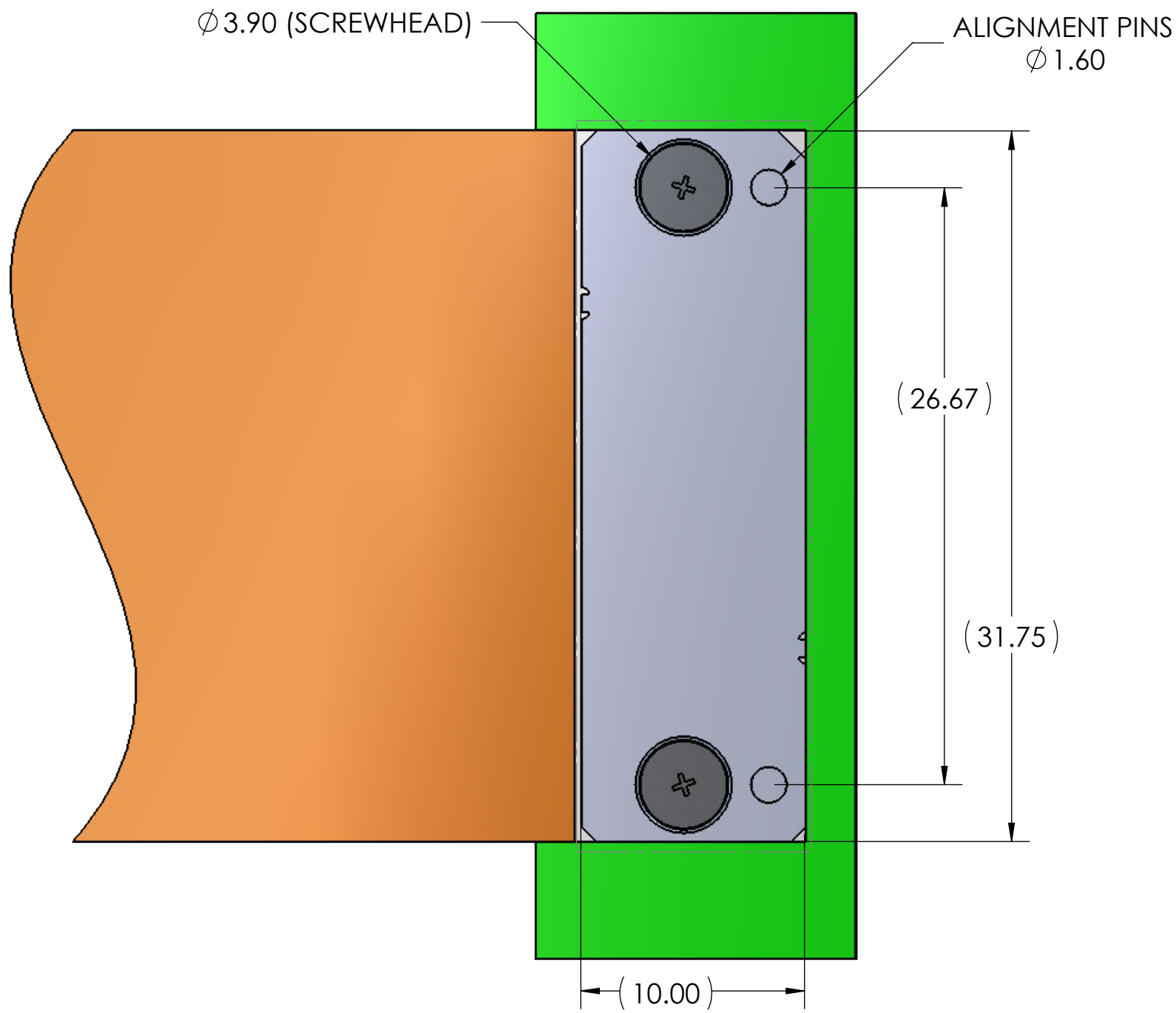


- PROPRIETARY INFORMATION -
NO USE OR REPRODUCTION MAY BE MADE OF
THIS DOCUMENT WITHOUT EXPRESS WRITTEN
PERMISSION OF NEOCONIX.

REVISIONS				
REV	ECN	DESCRIPTION	DATE	APPROVED
A	1249	PRODUCTION RELEASE	08-29-2019	WES TAO
B	1285	INCREASE MOUNTING HOLES: STIFFENER BREAK TABS	03-01-2021	WES TAO



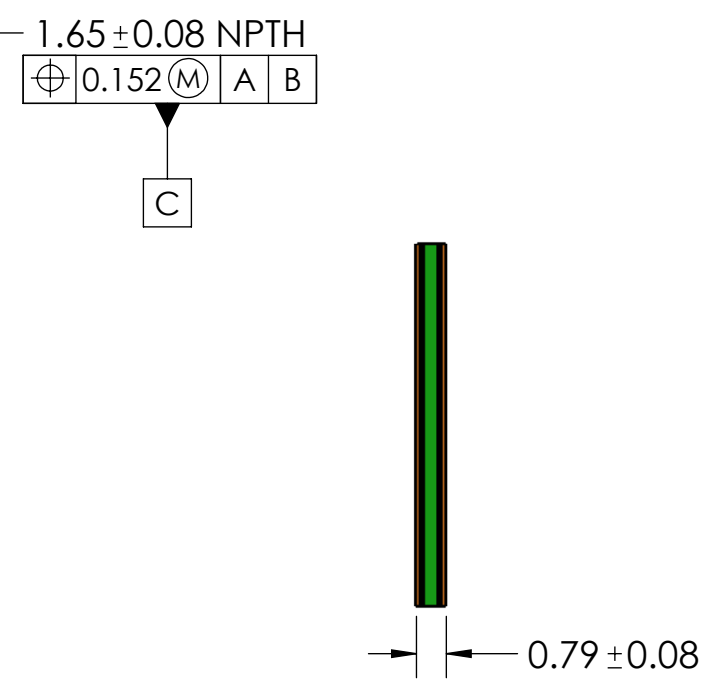
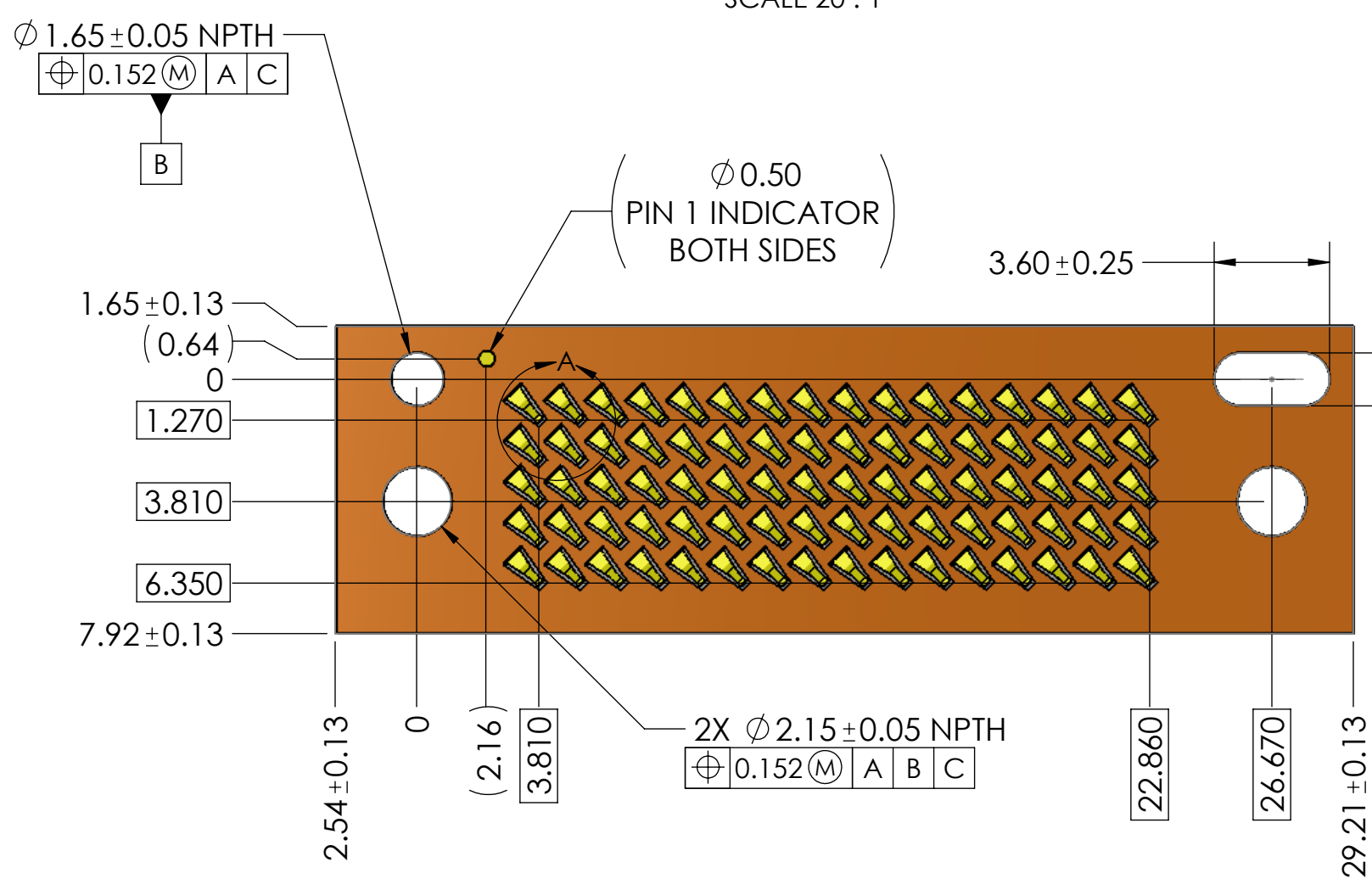
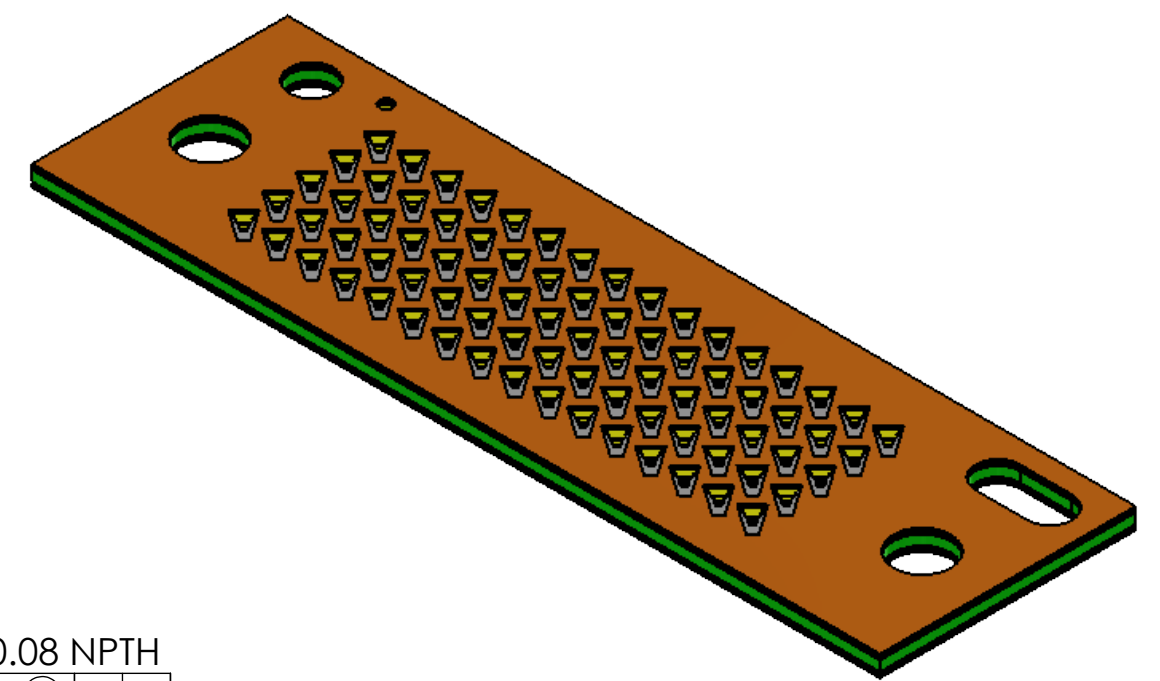
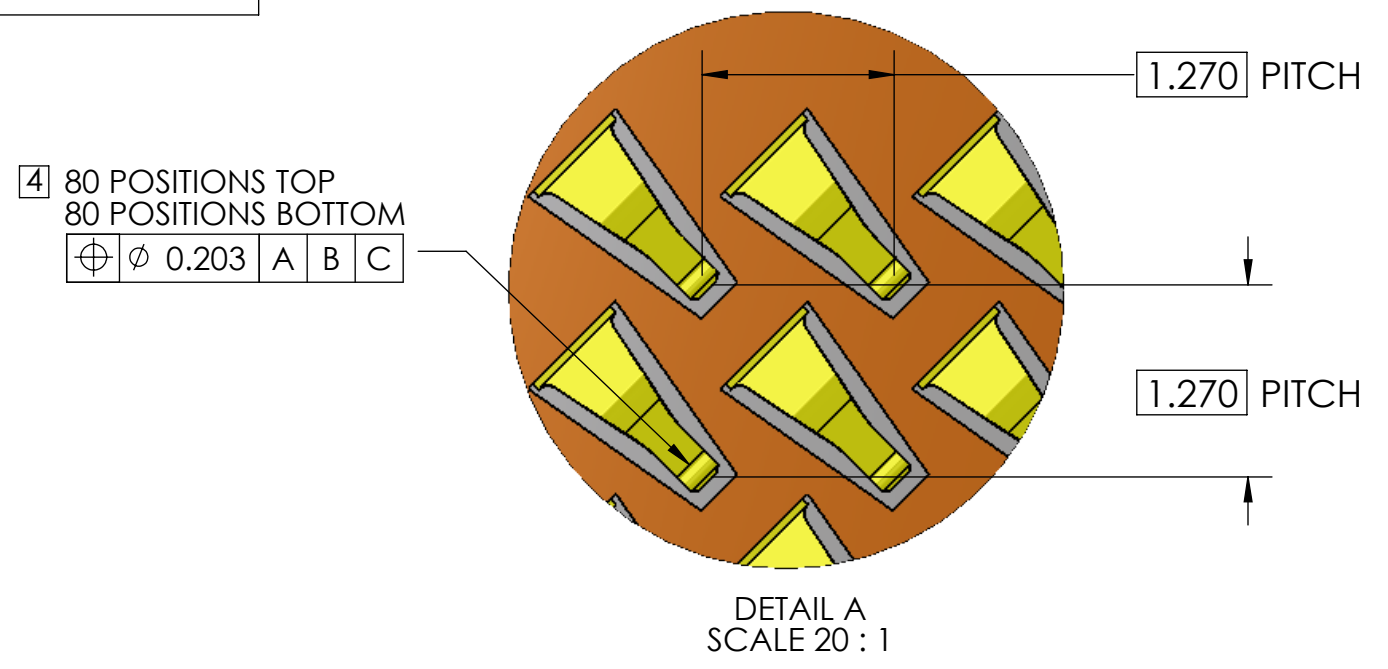
ITEM	DESCRIPTION	NEOCONIX P/N	QTY PER ASSY
1	M2 FLATHEAD SCREW	VARIOUS *	2
2	TOP STIFFENER	B01-000625-Lxxx *	1
3	FPC	CUSTOM	1
4	INTERPOSER	SPH1-F080A	1
5	PCB	CUSTOM	1
6	BOTTOM STIFFENER	B01-000629	1

* SEE AS-000017 FOR VARIOUS PART NUMBER
OPTIONS BASED ON ASSEMBLY THICKNESS STACKUP.
ALL ITEMS ORDERED SEPARATELY.

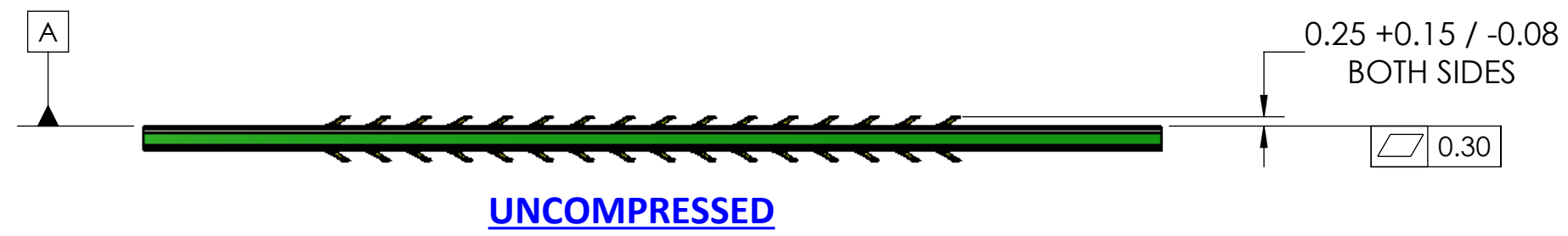
<p>4020 MOORPARK AVENUE #108 SAN JOSE, CA 95117 USA TEL: 408-530-9393 FAX: 408-530-9383</p>	<p>DIMENSIONS ARE IN MM [INCH]</p> <p>.X ± .XX ± .XXX ± ANGLE: NO DEC ± .X ± .XX ±</p> <p>THIRD ANGLE</p>	<p>MATERIAL: SEE NOTES</p> <p>FINISH:</p> <p>DRAWN BY: W.B.LONG 08-01-2019</p> <p>CHECKED BY:</p> <p>ENGR APPR:</p> <p>MFG APPR:</p> <p>QA APPR:</p>	<p>TITLE: SPH1 ASSEMBLY 80 POSITIONS LGA-LGA</p> <p>SIZE: B+</p> <p>DWG NUMBER: SPH1-F080A-ASY</p> <p>SCALE: 4:1</p>	<p>REV: B</p> <p>SHEET 1 OF 4</p>
---	---	--	--	-----------------------------------

- PROPRIETARY INFORMATION -
NO USE OR REPRODUCTION MAY BE MADE OF
THIS DOCUMENT WITHOUT EXPRESS WRITTEN
PERMISSION OF NEOCONIX.

REVISIONS				
REV	ECN	DESCRIPTION	DATE	APPROVED
A	1249	PRODUCTION RELEASE	08-29-2019	WES TAO
B	1285	INCREASE MOUNTING HOLE	03-01-2021	WES TAO



COMPRESSED



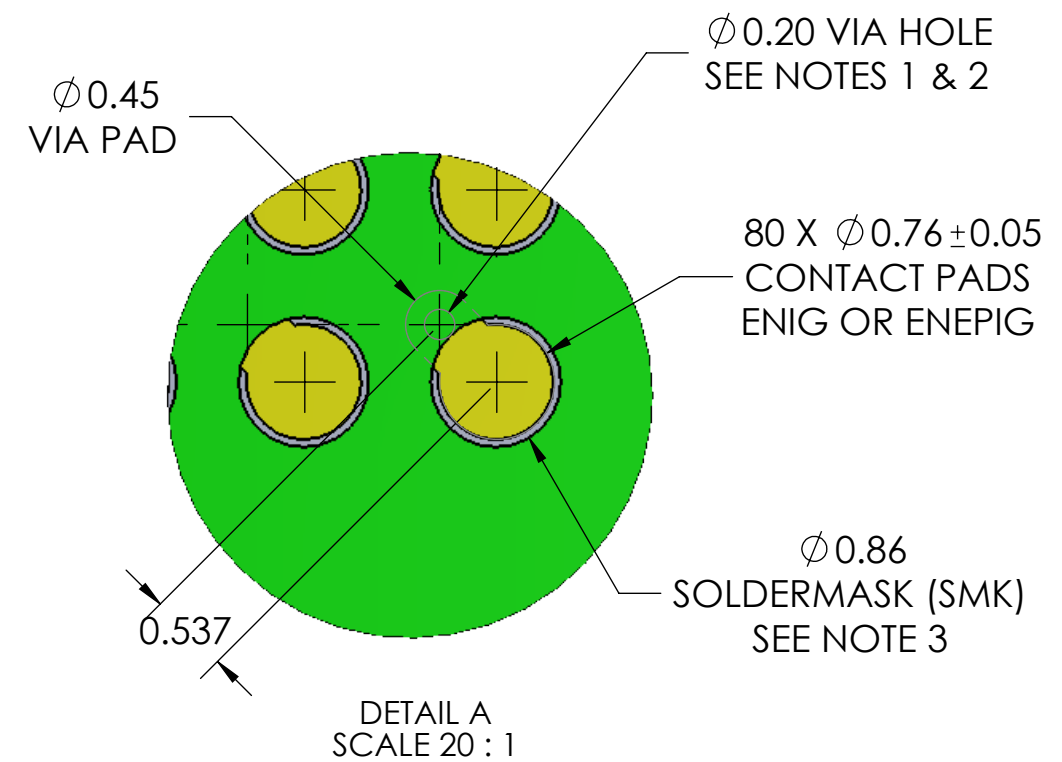
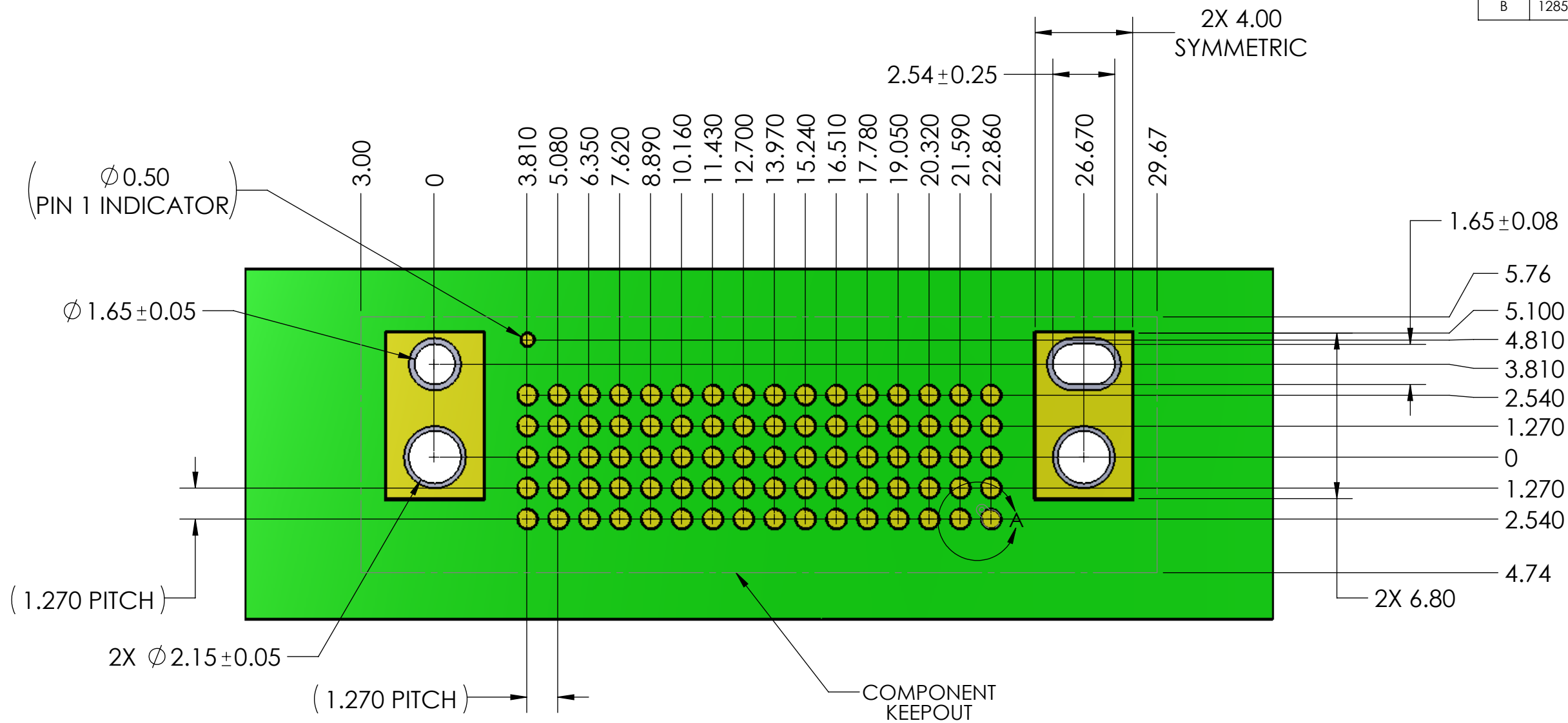
NOTES (UNLESS OTHERWISE SPECIFIED):

1. INTERPRET DRAWING PER ASME Y14.5M-1994.
 2. HALOGEN-FREE PER IPC-4101B.
 3. COMPLIANT WITH RoHS DIRECTIVE 2011/65/EU.
- 4 CENTER MARKS OF CONTACT POSITIONS ARE FOR COMPRESSED STATE

<p>4020 MOORPARK AVENUE #108 SAN JOSE, CA 95117 USA TEL: 408-530-9393 FAX: 408-530-9383</p>	DIMENSIONS ARE IN MM .X ± 0.13 .XX ± 0.08 XXX ± 0.025 ANGLE: NO DEC ± 2 DEGREE .X ± .XX ±		MATERIAL: SEE NOTES FINISH: DRAWN BY: W.B.LONG 08-01-2019 CHECKED BY: ENGR APPR: MFG APPR: QA APPR:		TITLE: SPH1 INTERPOSER 80 POSITIONS LGA-LGA	
	<p>THIRD ANGLE</p>		SIZE B+		DWG NUMBER: SPH1-F080A	
					SCALE: 5:1	
					SHEET 2 OF 4	

- PROPRIETARY INFORMATION -
NO USE OR REPRODUCTION MAY BE MADE OF
THIS DOCUMENT WITHOUT EXPRESS WRITTEN
PERMISSION OF NEOCONIX.

REVISIONS				
REV	ECN	DESCRIPTION	DATE	APPROVED
A	1249	PRODUCTION RELEASE	08-29-2019	WES TAO
B	1285	INCREASE MOUNTING HOLE	03-01-2021	WES TAO



NOTES:

1. IT IS ACCEPTABLE TO ROTATE THE POSITION OF THE VIAS AS NEEDED.
2. IF THE VIA NEEDS TO BE LOCATED WITHIN THE 0.76MM PAD DIAMETER, IT MUST BE FILLED, PLATED, AND PLANARIZED WITH 25UM MAX DIMPLE.
3. SOLDERMASK APPLICATION IN THE ARRAY AREA IS OPTIONAL. IF APPLIED, IT SHALL NOT PROTRUDE MORE THAN 0.03MM ABOVE THE SURFACE OF THE MATING PADS.

neconix
4020 MOORPARK AVENUE #108
SAN JOSE, CA 95117 USA
TEL: 408-530-9393 FAX: 408-530-9383

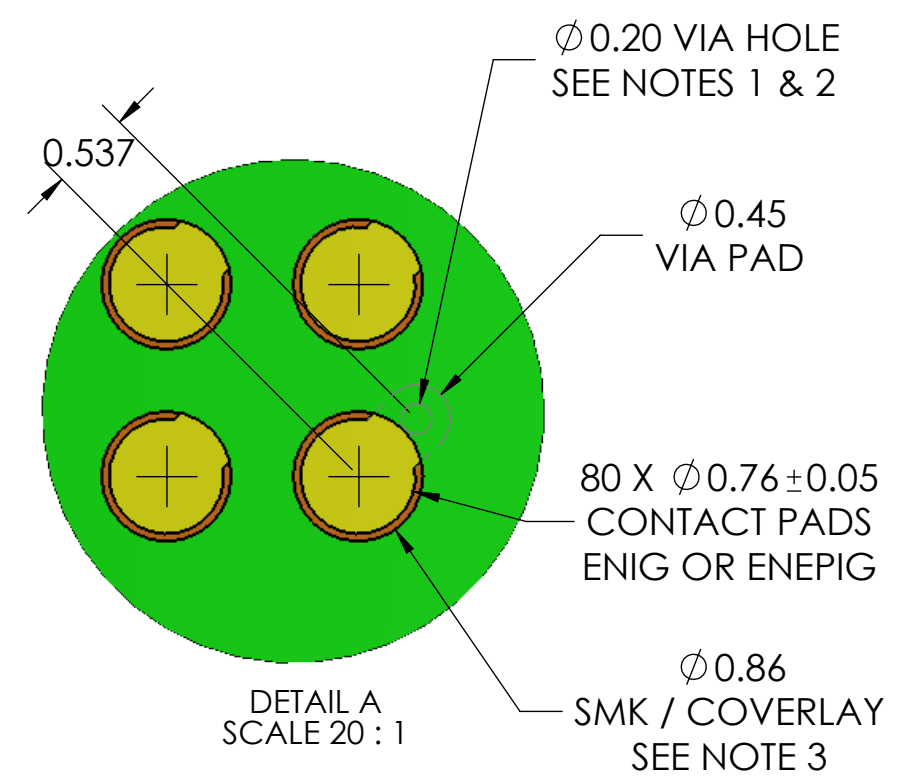
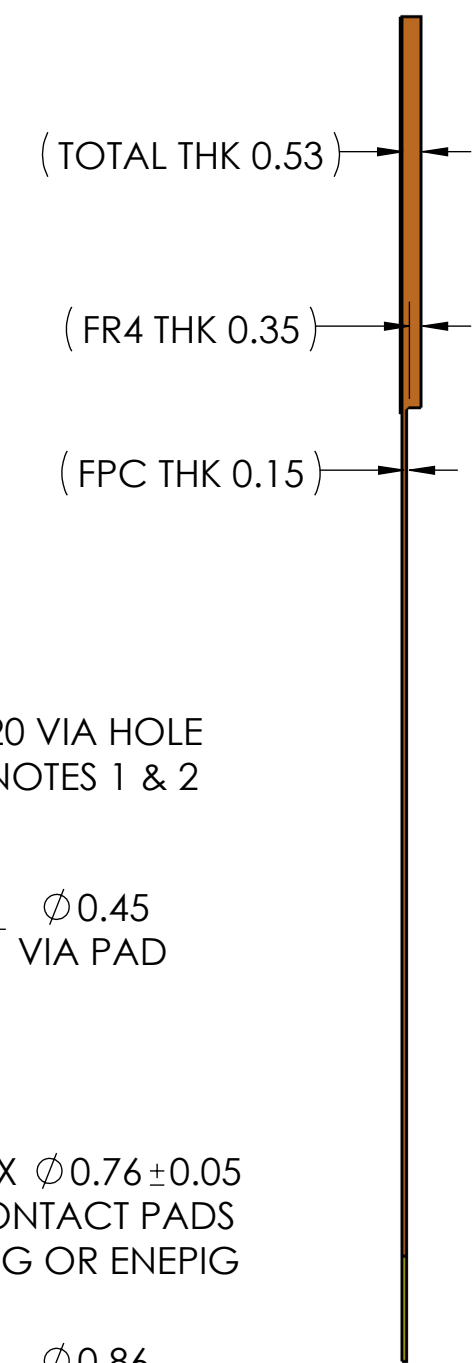
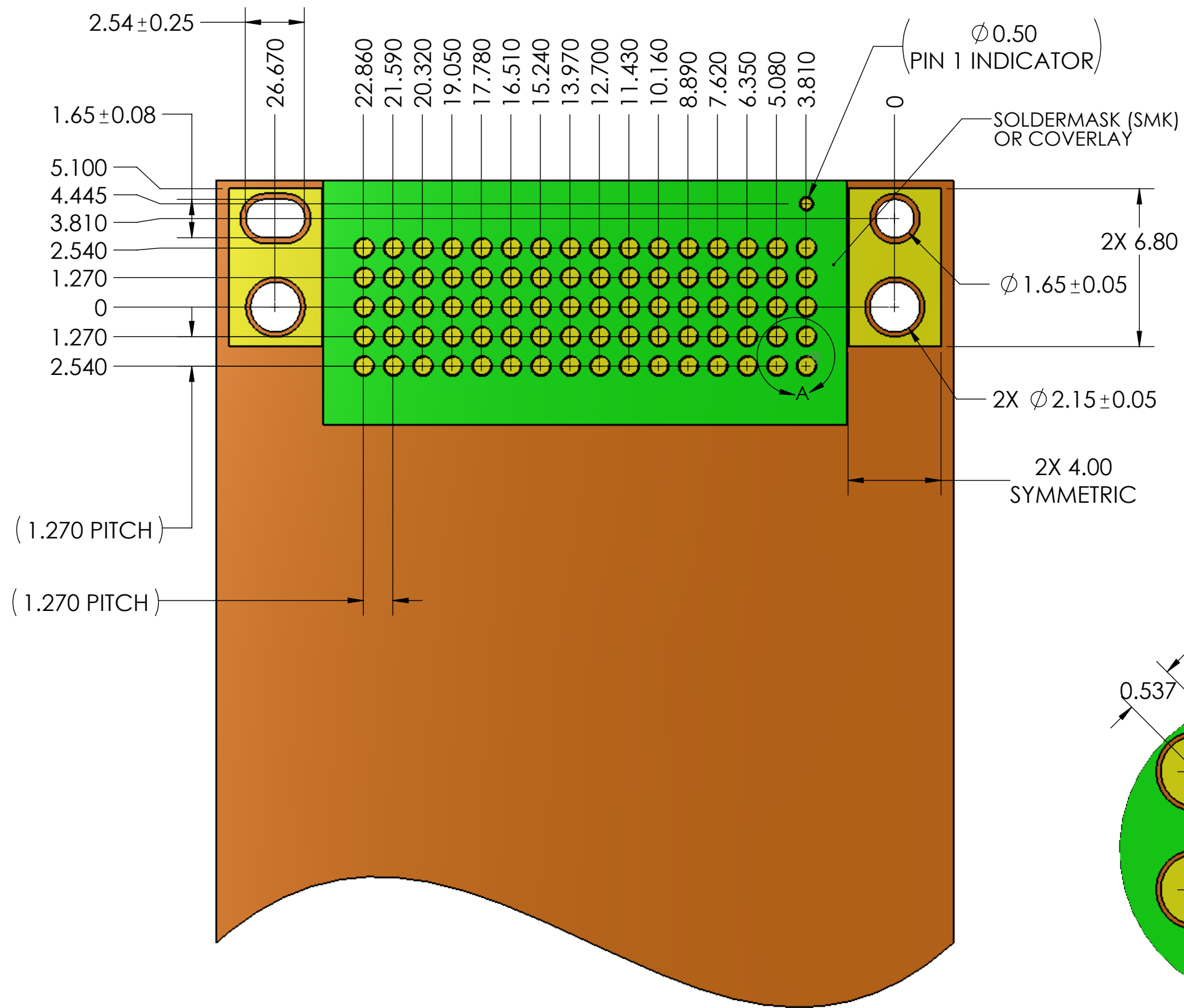
DIMENSIONS ARE IN MM
X ± 0.13
.XX ± 0.08
.XXX ± 0.025
ANGLE: NO DEC ± 1
X ± 0.5
XX ± 0.25
THIRD ANGLE

MATERIAL: SEE NOTES
FINISH:
DRAWN BY: W.B.LONG 08-01-2019
CHECKED BY:
ENGR APPR:
MFG APPR:
QA APPR:

TITLE: RECOMMENDED PCB LAYOUT
SPH1-F080A
DWG NUMBER: SPH1-F080A-PCB
REV: B
SCALE: 5:1 SHEET 3 OF 4

- PROPRIETARY INFORMATION -
NO USE OR REPRODUCTION MAY BE MADE OF
THIS DOCUMENT WITHOUT EXPRESS WRITTEN
PERMISSION OF NEOCONIX.

REVISIONS				
REV	ECN	DESCRIPTION	DATE	APPROVED
A	1249	PRODUCTION RELEASE	08-29-2019	WES TAO
B	1285	INCREASE MOUNTING HOLE	03-01-2021	WES TAO



- NOTES:
- IT IS ACCEPTABLE TO ROTATE THE POSITION OF THE VIAS AS NEEDED.
 - IF THE VIA NEEDS TO BE LOCATED WITHIN THE 0.76MM PAD DIAMETER, IT MUST BE FILLED, PLATED, AND PLANARIZED WITH 25UM MAX DIMPLE.
 - SOLDERMASK APPLICATION IN THE ARRAY AREA IS OPTIONAL. IF APPLIED, IT SHALL NOT PROTRUDE MORE THAN 0.03MM ABOVE THE SURFACE OF THE MATING PADS.

<p>4020 MOORPARK AVENUE #108 SAN JOSE, CA 95117 USA TEL: 408-530-9393 FAX: 408-530-9383</p>	DIMENSIONS ARE IN MM .X ± 0.13 .XX ± 0.08 .XXX ± 0.025		MATERIAL: SEE NOTES FINISH:		TITLE: RECOMMENDED FPC LAYOUT SPH1-F080A		
	ANGLE: NO DEC ± 1 .X ± 0.5 .XX ± 0.25		DRAWN BY: W.B.LONG 08-01-2019	CHECKED BY:	SIZE: B+	DWG NUMBER: SPH1-F080A-FPC	
	THIRD ANGLE		ENGR APPR:	MFG APPR:	QA APPR:	REV: B	SCALE: 5:1
					SHEET 4 OF 4		