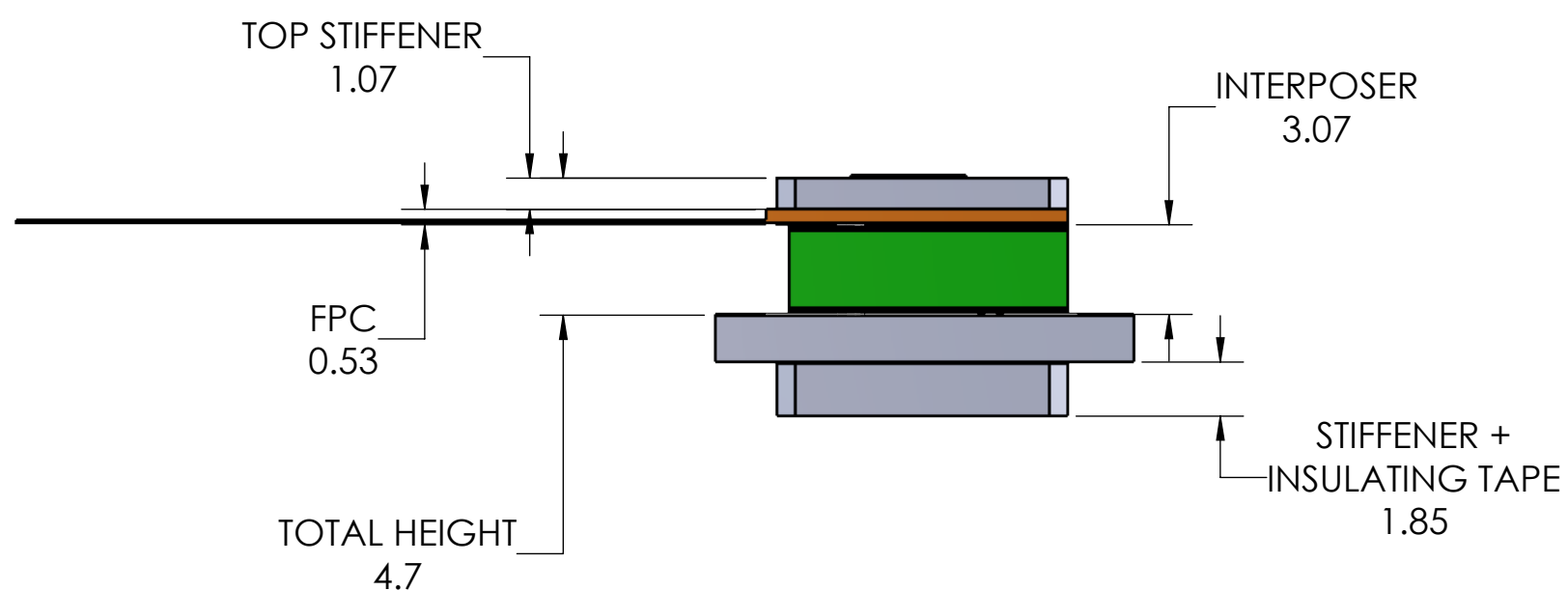
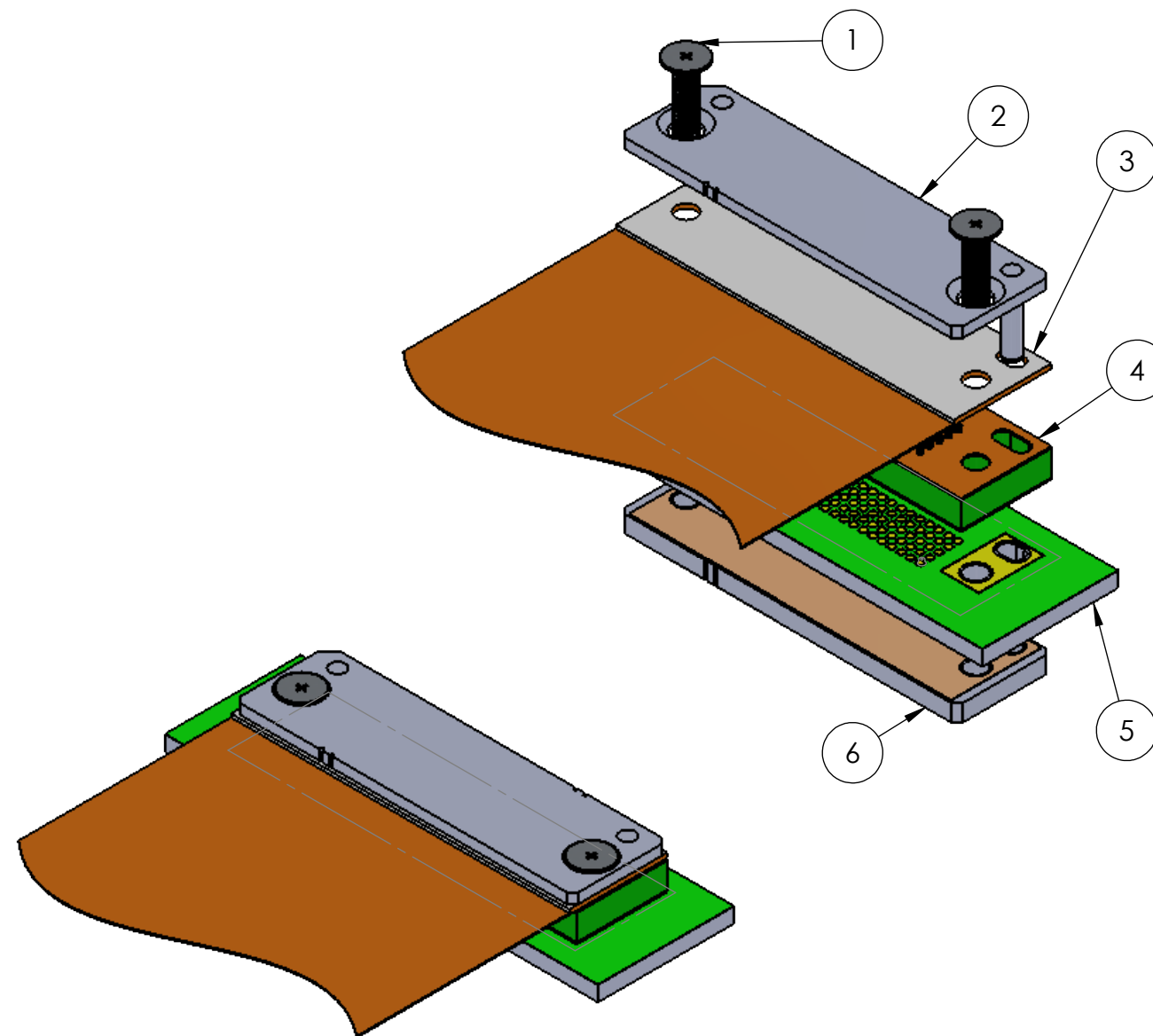
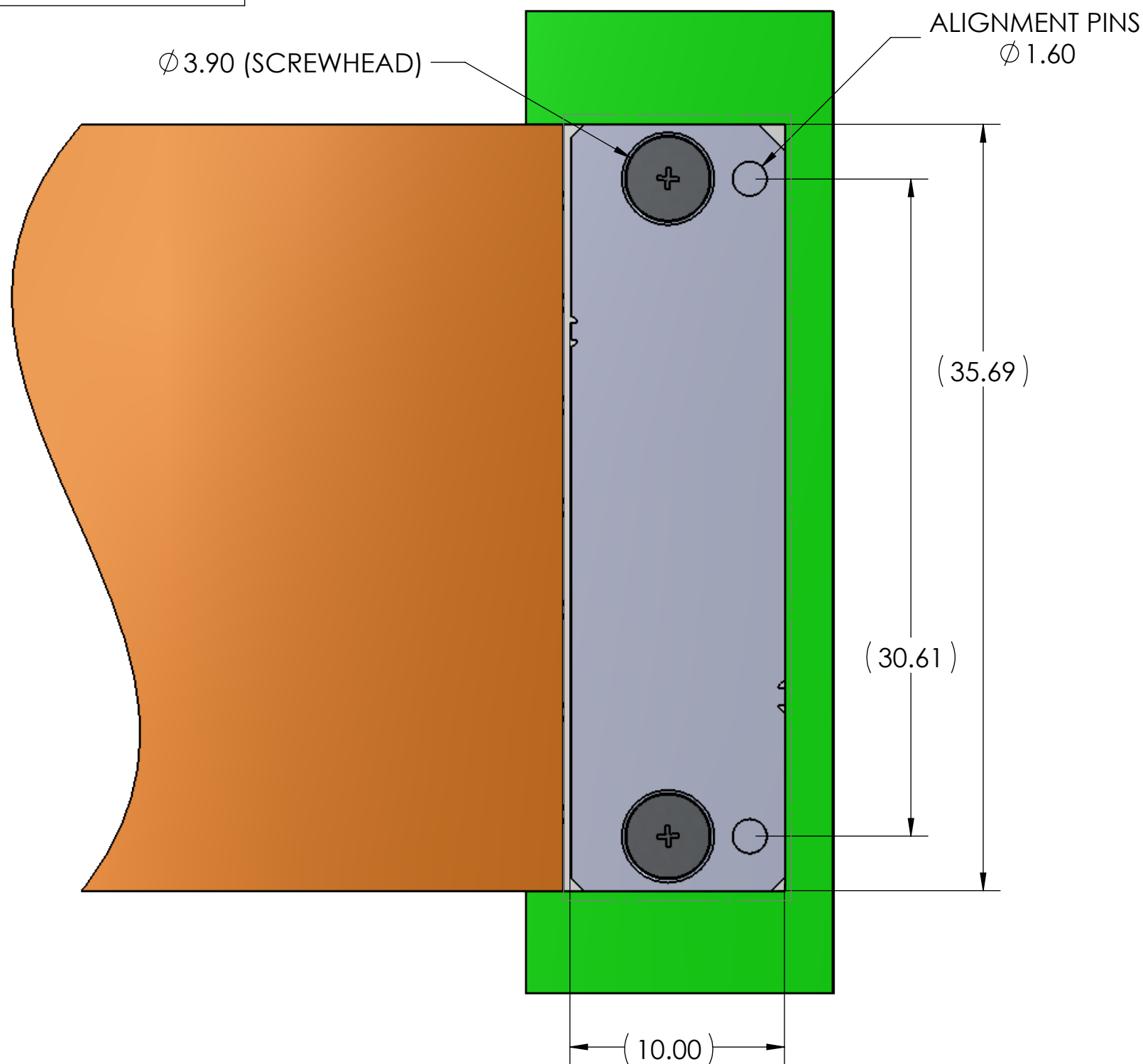


- PROPRIETARY INFORMATION -
NO USE OR REPRODUCTION MAY BE MADE OF
THIS DOCUMENT WITHOUT EXPRESS WRITTEN
PERMISSION OF NEOCONIX.

REVISIONS				
REV	ECN	DESCRIPTION	DATE	APPROVED
A	1249	PRODUCTION RELEASE	08-29-2019	WES TAO
B	1285	INCREASE MOUNTING HOLE: ADD BREAK TABS	03-01-2021	WES TAO



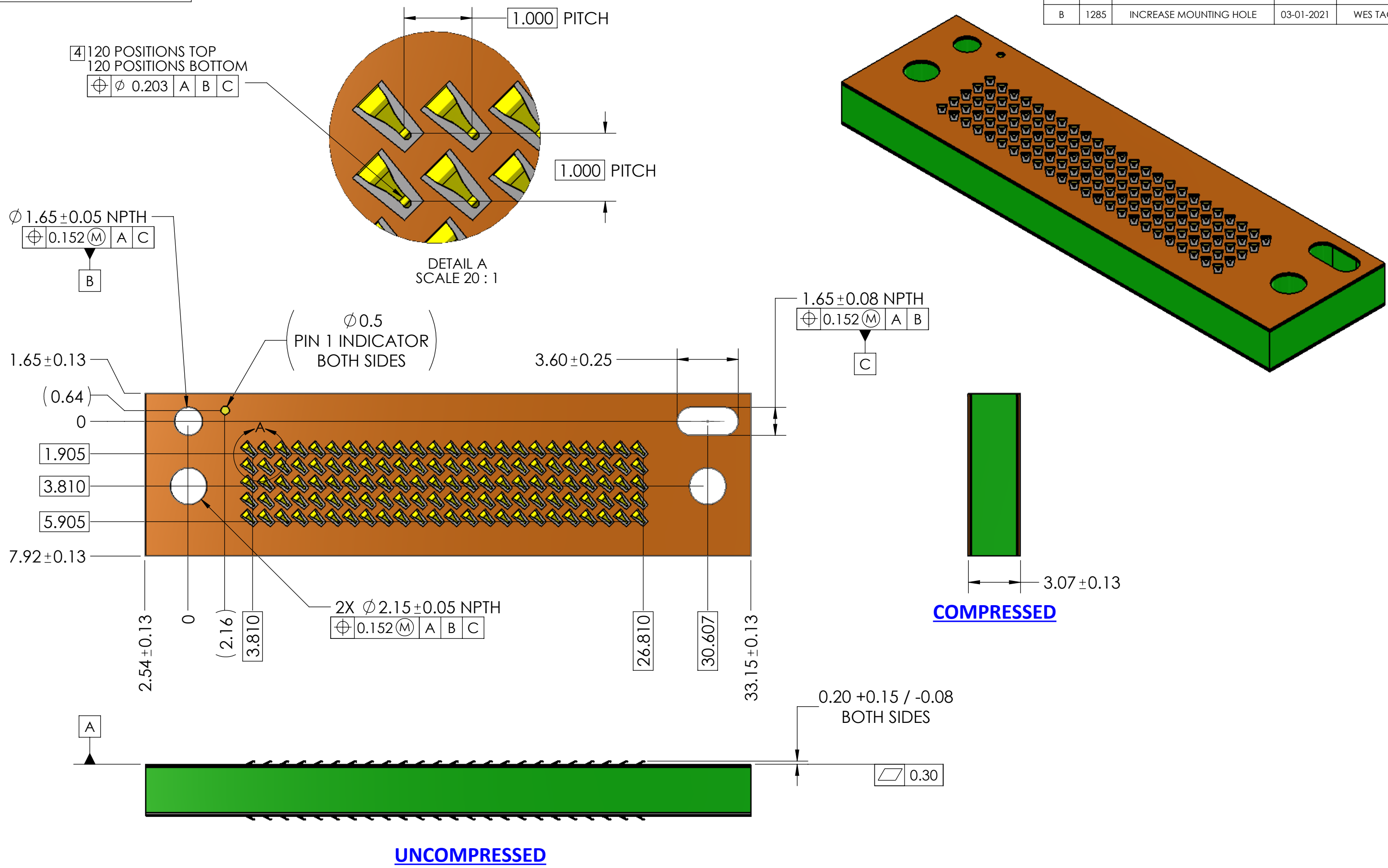
ITEM	DESCRIPTION	NEOCONIX P/N	QTY PER ASSY
1	M2 FLATHEAD SCREW	VARIOUS *	2
2	TOP STIFFENER	B01-000624-Lxxx *	1
3	FPC	CUSTOM	1
4	INTERPOSER	SPH1-D120B	1
5	PCB	CUSTOM	1
6	BOTTOM STIFFENER	B01-000628	1

* SEE AS-000017 FOR VARIOUS PART NUMBER
OPTIONS BASED ON ASSEMBLY THICKNESS STACKUP.
ALL ITEMS ORDERED SEPARATELY.

<p>4020 MOORPARK AVENUE #108 SAN JOSE, CA 95117 USA TEL: 408-530-9393 FAX: 408-530-9383</p>	DIMENSIONS ARE IN MM [INCH] .X ± .XX ± .XXX ± ANGLE: NO DEC ± .X ± .XX ±	MATERIAL: SEE NOTES FINISH: <input checked="" type="checkbox"/>	TITLE: SPH1 ASSEMBLY 120 POSITIONS LGA-LGA
	DRAWN BY: W.B.LONG 08-01-2019 CHECKED BY: ENGR APPR: MFG APPR: QA APPR:	SIZE: B+ DWG NUMBER: SPH1-D120B-ASY	REV: B
	THIRD ANGLE	SCALE: 4:1	SHEET 1 OF 4

- PROPRIETARY INFORMATION -
NO USE OR REPRODUCTION MAY BE MADE OF
THIS DOCUMENT WITHOUT EXPRESS WRITTEN
PERMISSION OF NEOCONIX.

REVISIONS				
REV	ECN	DESCRIPTION	DATE	APPROVED
A	1249	PRODUCTION RELEASE	08-29-2019	WES TAO
B	1285	INCREASE MOUNTING HOLE	03-01-2021	WES TAO

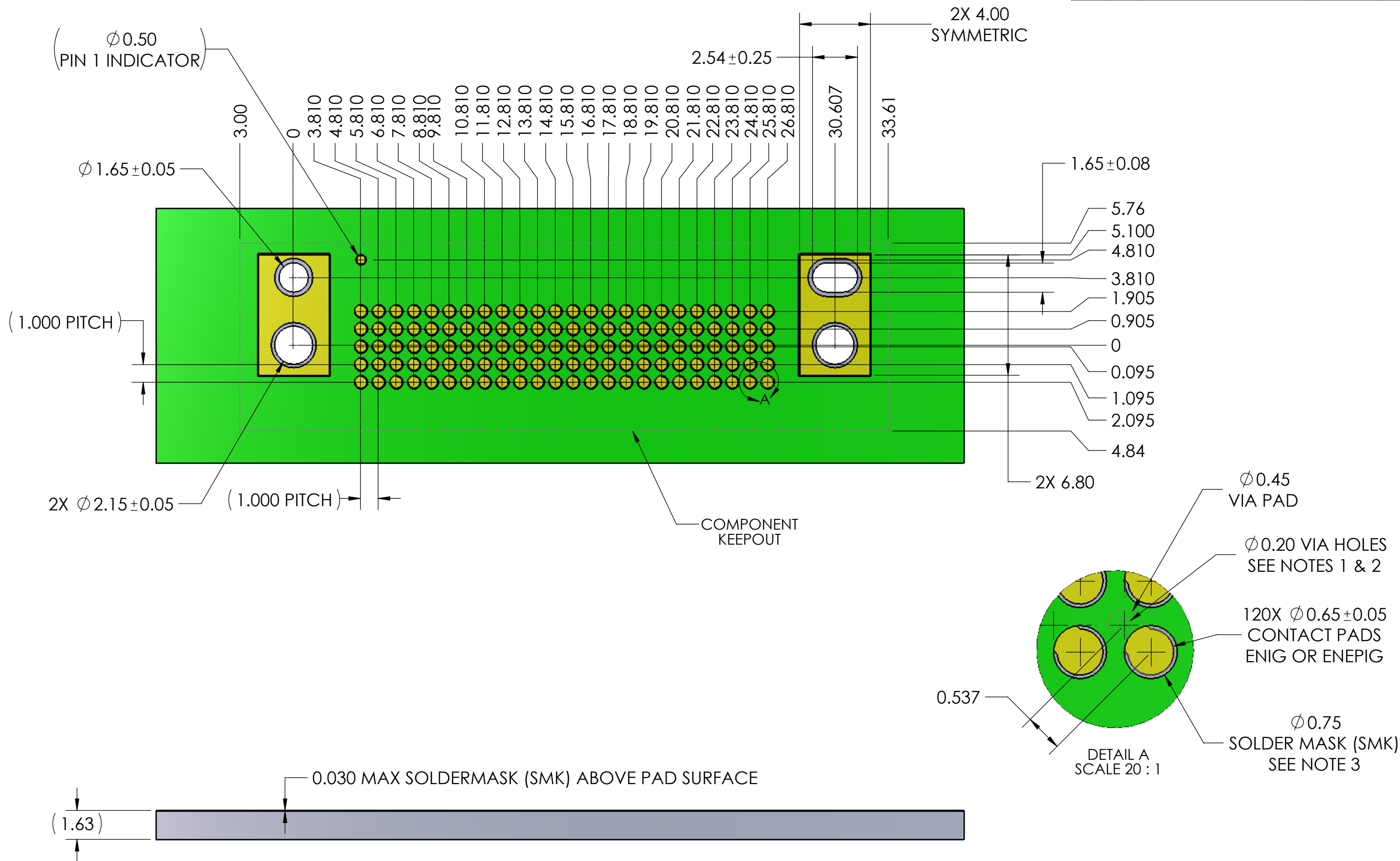


- NOTES (UNLESS OTHERWISE SPECIFIED):
1. INTERPRET DRAWING PER ASME Y14.5M-1994.
 2. HALOGEN-FREE PER IPC-4101B.
 3. COMPLIANT WITH RoHS DIRECTIVE 2011/65/EU.
 4. CENTER MARKS OF CONTACT POSITIONS ARE FOR COMPRESSED STATE

<p>4020 MOORPARK AVENUE #108 SAN JOSE, CA 95117 USA TEL: 408-530-9393 FAX: 408-530-9383</p>	DIMENSIONS ARE IN MM .X ± 0.13 .XX ± 0.08 .XXX ± 0.025 ANGLE: NO DEC ± 2 DEGREE .X ± .XX ±		MATERIAL: SEE NOTES FINISH: DRAWN BY: W.B.LONG 08-01-2019 CHECKED BY: ENGR APPR: MFG APPR: QA APPR:		TITLE: SPH1 INTERPOSER 120 POS LGA - LGA	
	THIRD ANGLE		SIZE B+		DWG NUMBER: SPH1-D120B	
					REV B	
					SCALE: 5:1 SHEET 2 OF 4	

- PROPRIETARY INFORMATION -
NO USE OR REPRODUCTION MAY BE MADE OF
THIS DOCUMENT WITHOUT EXPRESS WRITTEN
PERMISSION OF NEOCONIX.

REVISIONS				
REV	ECN	DESCRIPTION	DATE	APPROVED
A	1249	PRODUCTION RELEASE	08-29-2019	WES TAO
B	1285	INCREASE MOUNTING HOLE	03-01-2021	WES TAO



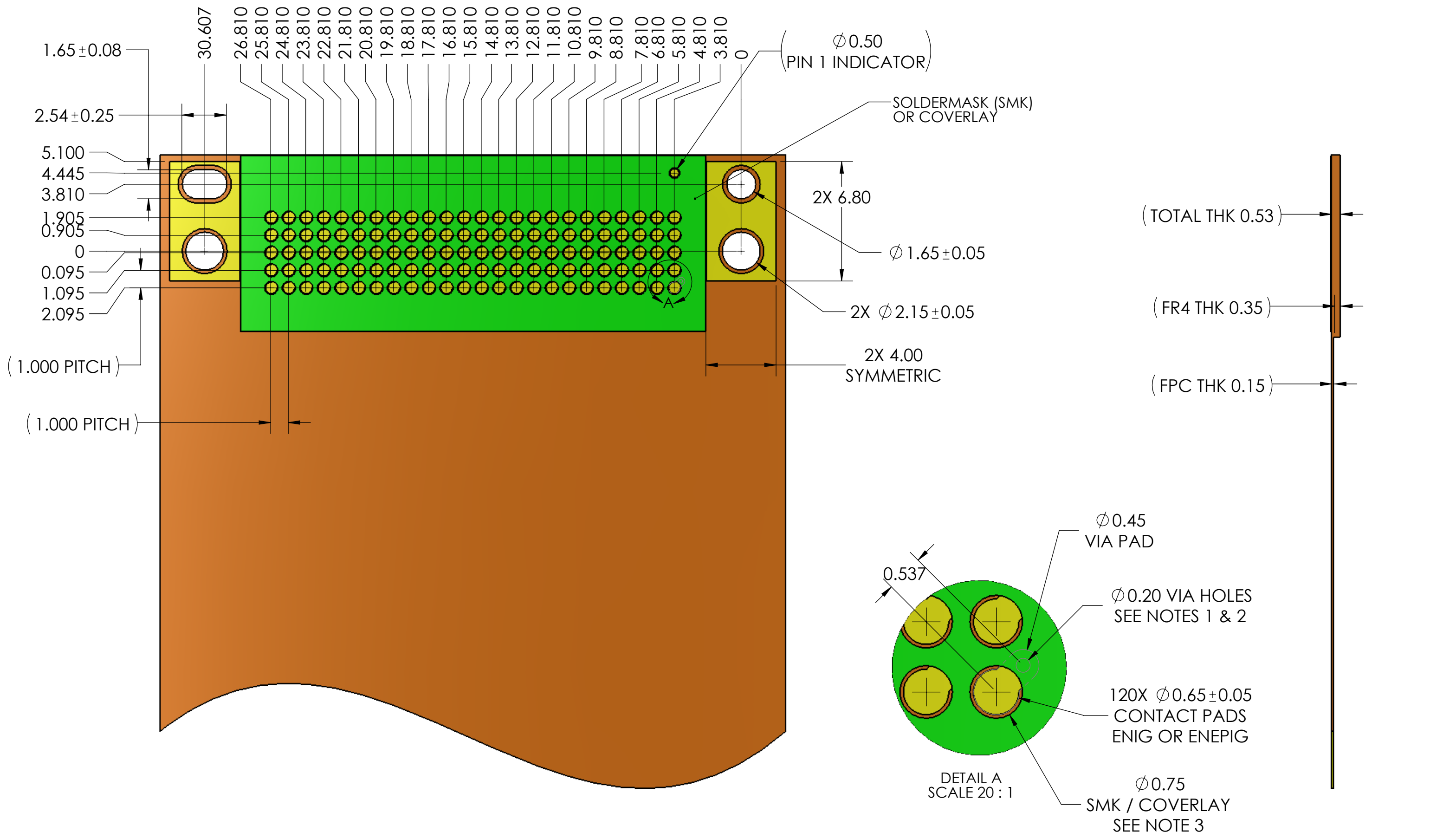
NOTES:

- IT IS ACCEPTABLE TO ROTATE THE POSITION OF THE VIAS AS NEEDED.
- IF THE VIA NEEDS TO BE LOCATED WITHIN THE 0.76MM PAD DIAMETER, IT MUST BE FILLED, PLATED, AND PLANARIZED WITH 25UM MAX DIMPLE.
- SOLDERMASK APPLICATION IN THE ARRAY AREA IS OPTIONAL. IF APPLIED, IT SHALL NOT PROTRUDE MORE THAN 0.03MM ABOVE THE SURFACE OF THE MATING PADS.

		DIMENSIONS ARE IN MM .X ± 0.13 .XX ± 0.08 .XXX ± 0.025		MATERIAL: FINISH:		TITLE: RECOMMENDED PCB LAYOUT SPH1-D120B-PCB	
4020 MOORPARK AVENUE #108 SAN JOSE, CA 95117 USA TEL: 408-530-9393 FAX: 408-530-9383		ANGLE: NO DEC ± 1 .X ± 0.5 .XX ± 0.25		DRAWN BY: W.B.LONG 08-01-2019 CHECKED BY: ENGR APPR: MFG APPR: QA APPR:		SIZE: B+ DWG NUMBER: SPH1-D120B-PCB REV: B	
				SCALE: 5:1		SHEET 3 OF 4	

- PROPRIETARY INFORMATION -
NO USE OR REPRODUCTION MAY BE MADE OF
THIS DOCUMENT WITHOUT EXPRESS WRITTEN
PERMISSION OF NEOCONIX.

REVISIONS				
REV	ECN	DESCRIPTION	DATE	APPROVED
A	1249	PRODUCTION RELEASE	08-29-2019	WES TAO
B	1285	INCREASE MOUNTING HOLE	03-01-2021	WES TAO



- NOTES:
- IT IS ACCEPTABLE TO ROTATE THE POSITION OF THE VIAS AS NEEDED.
 - IF THE VIA NEEDS TO BE LOCATED WITHIN THE 0.76MM PAD DIAMETER, IT MUST BE FILLED, PLATED, AND PLANARIZED WITH 25UM MAX DIMPLE.
 - SOLDERMASK APPLICATION IN THE ARRAY AREA IS OPTIONAL. IF APPLIED, IT SHALL NOT PROTRUDE MORE THAN 0.03MM ABOVE THE SURFACE OF THE MATING PADS.

<p>4020 MOORPARK AVENUE #108 SAN JOSE, CA 95117 USA TEL: 408-530-9393 FAX: 408-530-9383</p>	DIMENSIONS ARE IN MM .X ± 0.13 .XX ± 0.08 .XXX ± 0.025 ANGLE: NO DEC ± 1 .X ± 0.5 .XX ± 0.25		MATERIAL: SEE NOTES FINISH: DRAWN BY: W.B.LONG 08-01-2019 CHECKED BY: ENGR APPR: MFG APPR: QA APPR:		TITLE: RECOMMENDED FPC LAYOUT SPH1-D120B DWG NUMBER: SPH1-D120B-FPC SCALE: 5:1	
	THIRD ANGLE		SIZE: B+		REV: B	
					SHEET 4 OF 4	