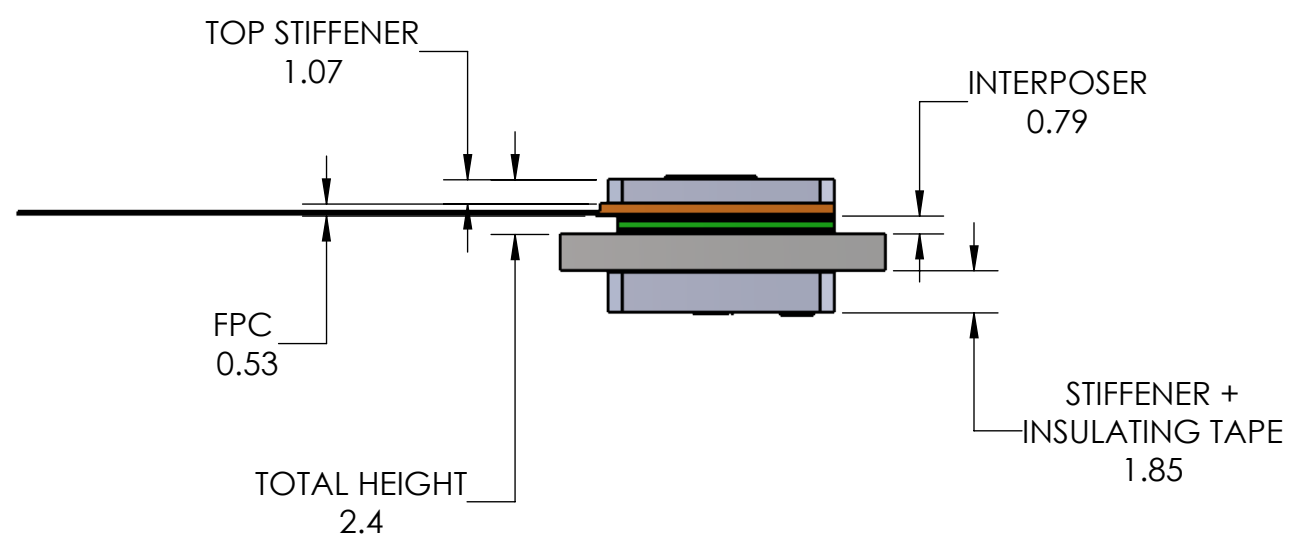
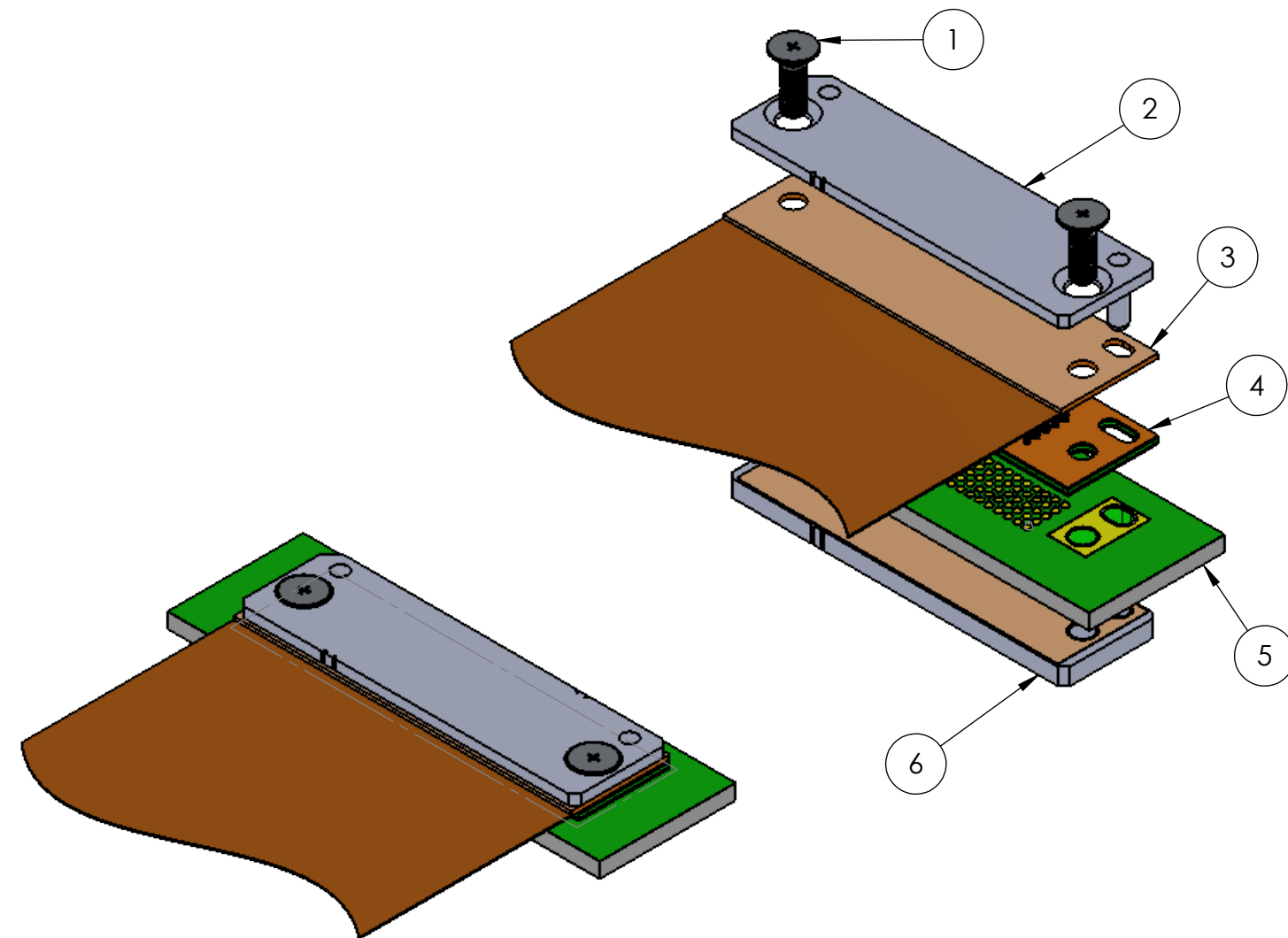
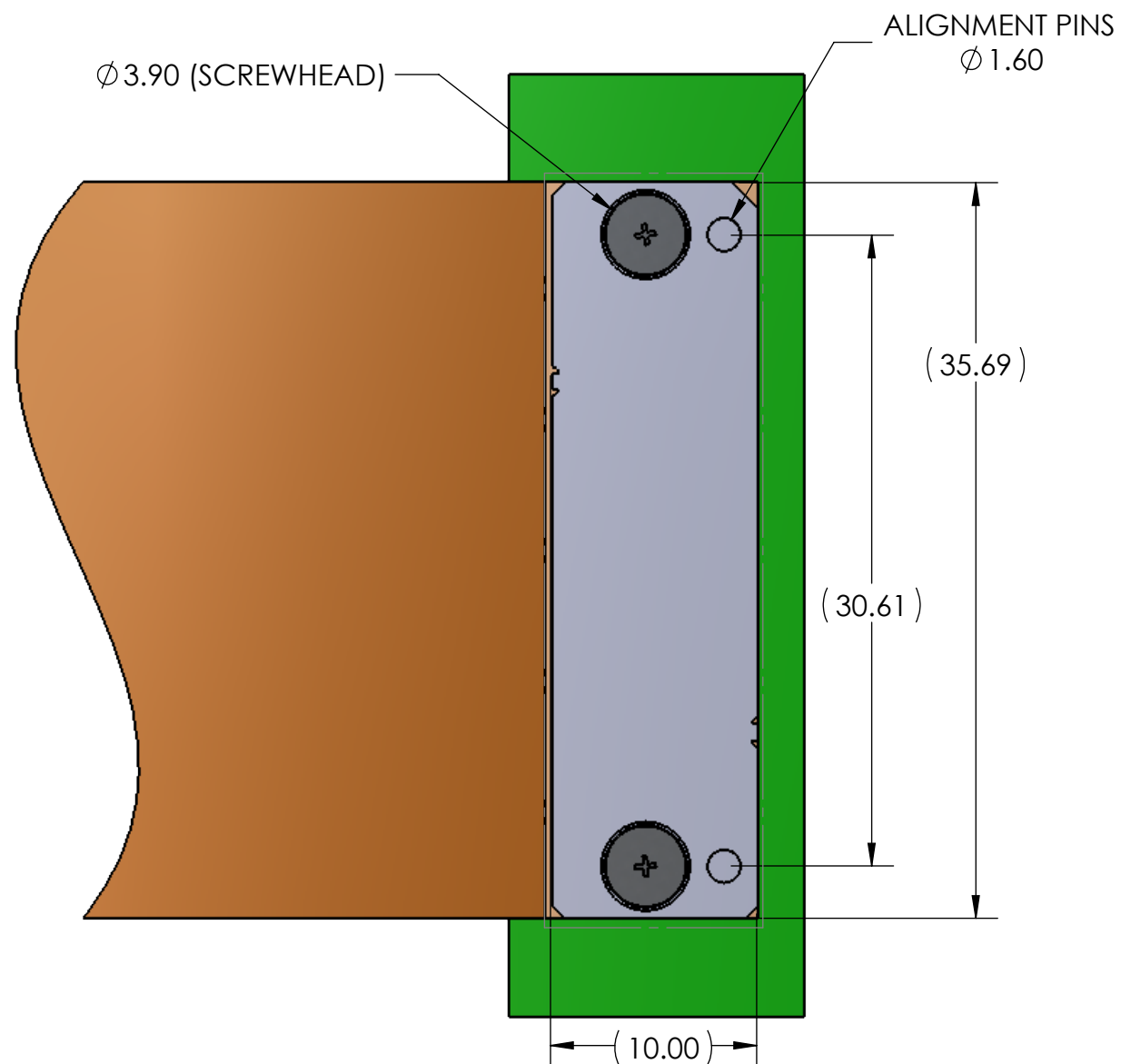


- PROPRIETARY INFORMATION -
NO USE OR REPRODUCTION MAY BE MADE OF
THIS DOCUMENT WITHOUT EXPRESS WRITTEN
PERMISSION OF NEOCONIX.

REVISIONS				
REV	ECN	DESCRIPTION	DATE	APPROVED
A	1249	PRODUCTION RELEASE	08-29-2019	WES TAO
B	1285	STIFFENERS AND MOUNTING HOLES	03-01-2021	WES TAO



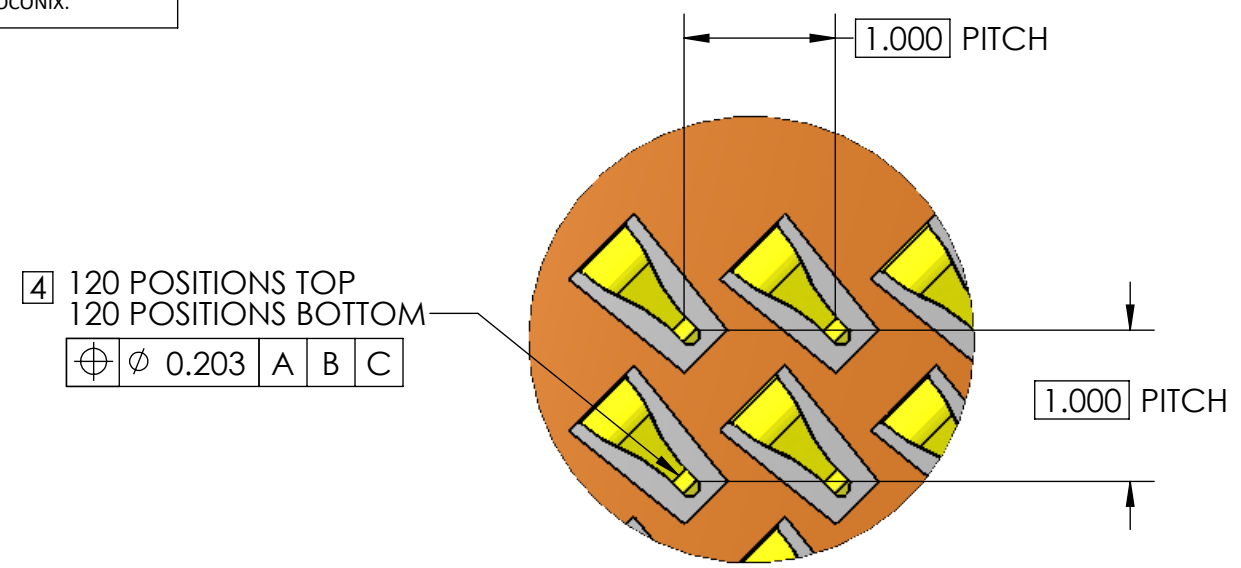
ITEM	DESCRIPTION	NEOCONIX P/N	QTY PER ASSY
1	M2 FLATHEAD SCREW	VARIOUS *	2
2	TOP STIFFENER	B01-000624-Lxxx *	1
3	FPC	CUSTOM	1
4	INTERPOSER	SPH1-D120A	1
5	PCB	CUSTOM	1
6	BOTTOM STIFFENER	B01-000628	1

* SEE AS-000017 FOR VARIOUS PART NUMBER
OPTIONS BASED ON ASSEMBLY THICKNESS STACKUP.
ALL ITEMS ORDERED SEPARATELY.

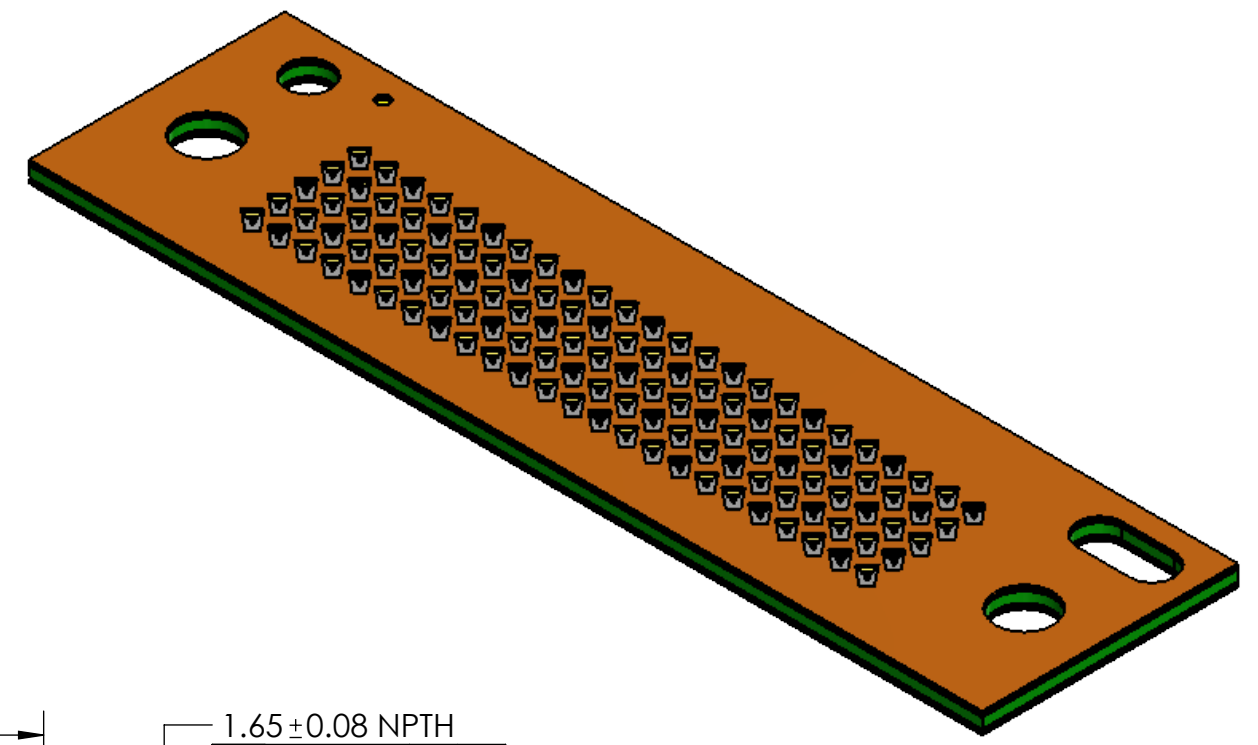
<p>4020 MOORPARK AVENUE #108 SAN JOSE, CA 95117 USA TEL: 408-530-9393 FAX: 408-530-9383</p>	<p>DIMENSIONS ARE IN MM [INCH]</p> <p>.X ± .XX ± .XXX ±</p> <p>ANGLE: NO DEC ± .X ± .XX ±</p> <p>THIRD ANGLE</p>	MATERIAL: SEE NOTES		TITLE: SPH1 ASSEMBLY 120 POSITIONS LGA-LGA		
		FINISH:		SIZE	DWG NUMBER:	REV
		DRAWN BY: W.B.LONG 08-01-2019		B+	SPH1-D120A-ASY	B
		CHECKED BY:		SCALE: 2:1		SHEET 1 OF 4
ENGR APPR:		MFG APPR:				
QA APPR:						

- PROPRIETARY INFORMATION -
NO USE OR REPRODUCTION MAY BE MADE OF
THIS DOCUMENT WITHOUT EXPRESS WRITTEN
PERMISSION OF NEOCONIX.

REVISIONS				
REV	ECN	DESCRIPTION	DATE	APPROVED
A	1249	PRODUCTION RELEASE	08-29-2019	WES TAO
B	1285	INCREASE MOUNTING HOLE	03-01-2021	WES TAO

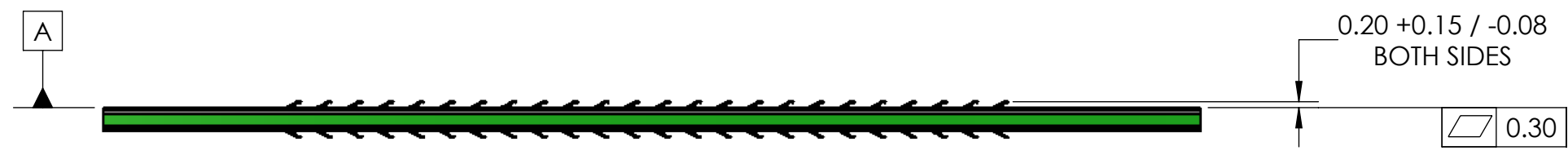
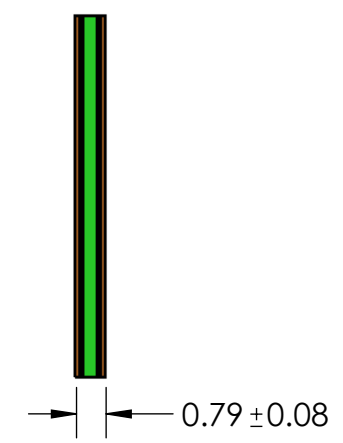
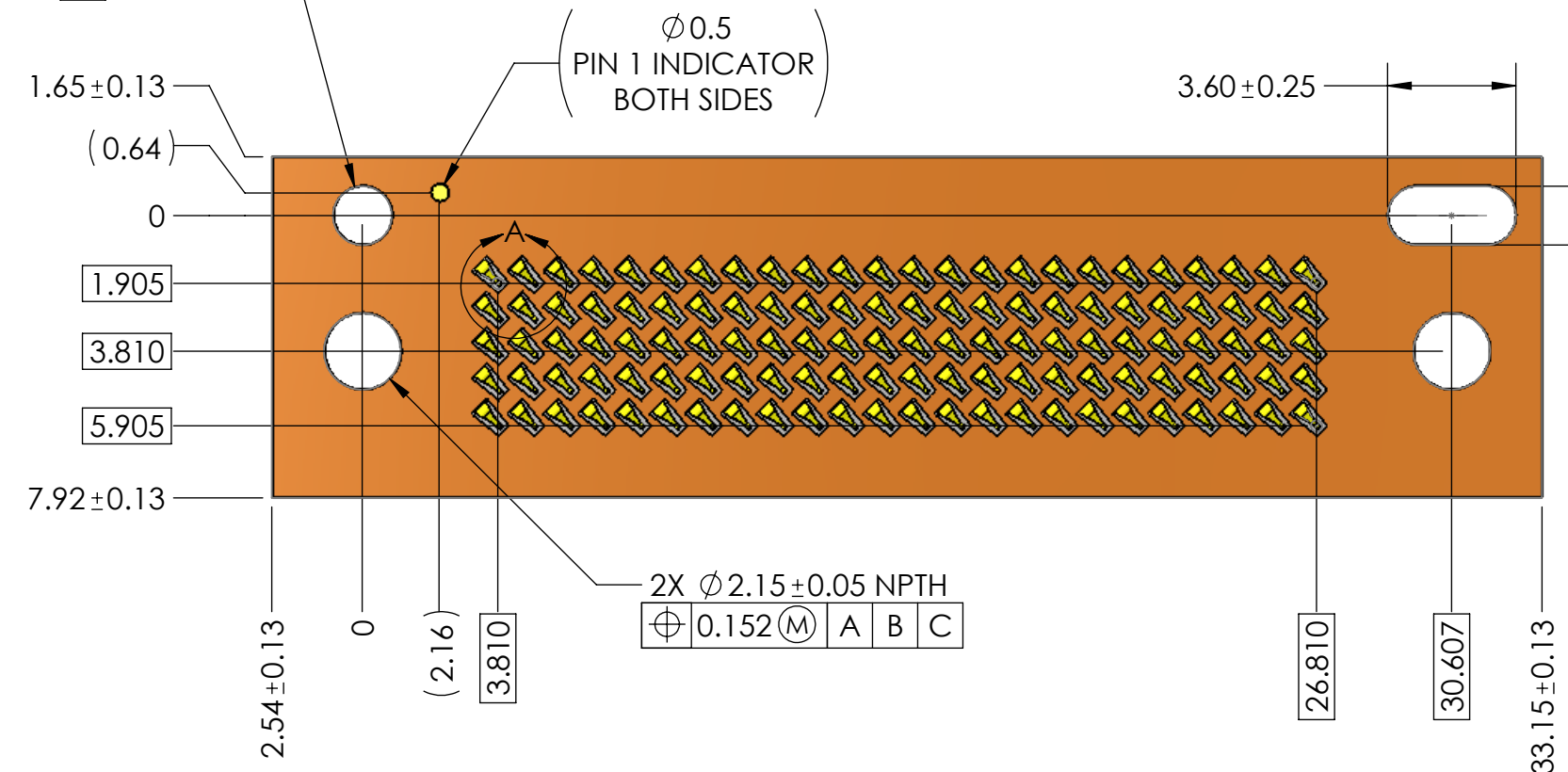


DETAIL A
SCALE 20 : 1



$\phi 1.65 \pm 0.05$ NPTH
 $\oplus 0.152$ (M) A C

B



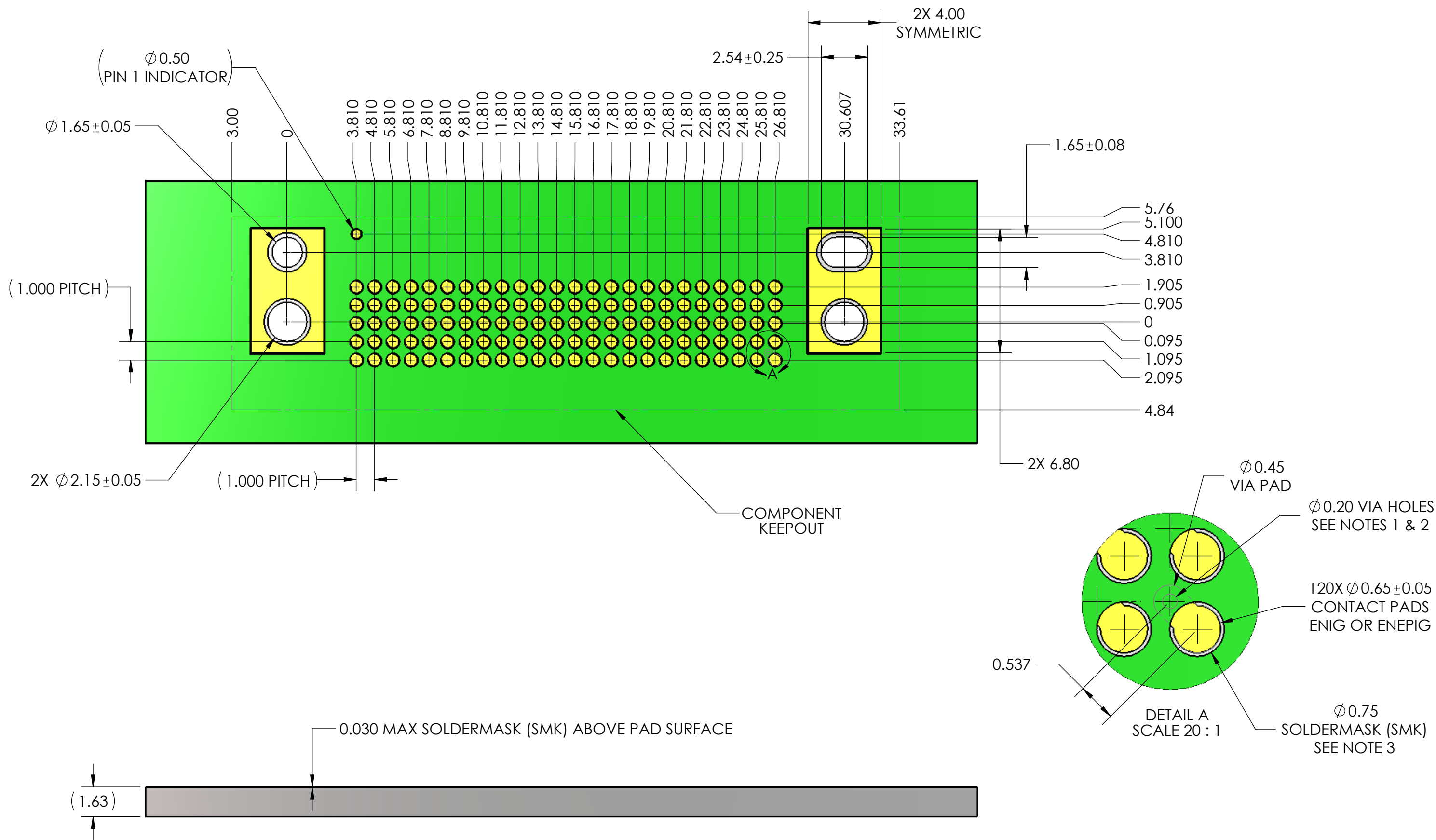
NOTES (UNLESS OTHERWISE SPECIFIED):

1. INTERPRET DRAWING PER ASME Y14.5M-1994.
 2. HALOGEN-FREE PER IPC-4101B.
 3. COMPLIANT WITH RoHS DIRECTIVE 2011/65/EU.
- 4 CENTER MARKS OF CONTACT POSITIONS ARE FOR COMPRESSED STATE

<p>4020 MOORPARK AVENUE #108 SAN JOSE, CA 95117 USA TEL: 408-530-9393 FAX: 408-530-9383</p>	DIMENSIONS ARE IN MM .X ± 0.13 .XX ± 0.08 .XXX ± 0.025 ANGLE: NO DEC ± 2 DEGREE .X \pm .XX \pm		MATERIAL: SEE NOTES FINISH: DRAWN BY: W.B.LONG 08-01-2019 CHECKED BY: ENGR APPR: MFG APPR: QA APPR:		TITLE: SPH1 INTERPOSER 120 POS LGA-LGA	
	THIRD ANGLE		SIZE: B+		DWG NUMBER: SPH1-D120A	
					REV: B	
			SCALE: 5:1		SHEET 2 OF 4	

- PROPRIETARY INFORMATION -
NO USE OR REPRODUCTION MAY BE MADE OF
THIS DOCUMENT WITHOUT EXPRESS WRITTEN
PERMISSION OF NEOCONIX.

REVISIONS				
REV	ECN	DESCRIPTION	DATE	APPROVED
A	1249	PRODUCTION RELEASE	08-29-2019	WES TAO
B	1285	INCREASE MOUNTING HOLE	03-01-2021	WES TAO



- NOTES:
- IT IS ACCEPTABLE TO ROTATE THE POSITION OF THE VIAS AS NEEDED.
 - IF THE VIA NEEDS TO BE LOCATED WITHIN THE 0.60MM PAD DIAMETER, IT MUST BE FILLED, PLATED, AND PLANARIZED WITH 25UM MAX DIMPLE.
 - SOLDERMASK APPLICATION IN THE ARRAY AREA IS OPTIONAL. IF APPLIED, IT SHALL NOT PROTRUDE MORE THAN 0.03MM ABOVE THE SURFACE OF THE MATING PADS.

neconix
4020 MOORPARK AVENUE #108
SAN JOSE, CA 95117 USA
TEL: 408-530-9393 FAX: 408-530-9383

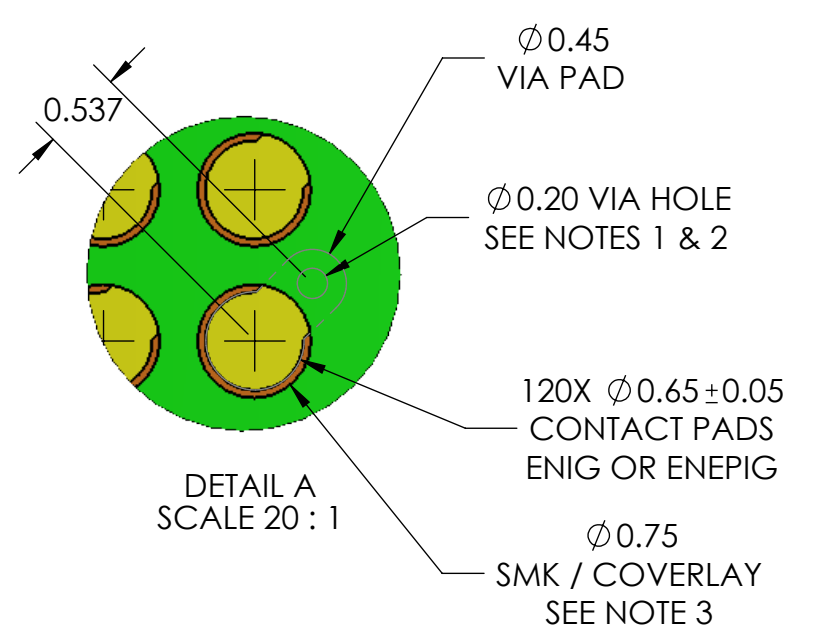
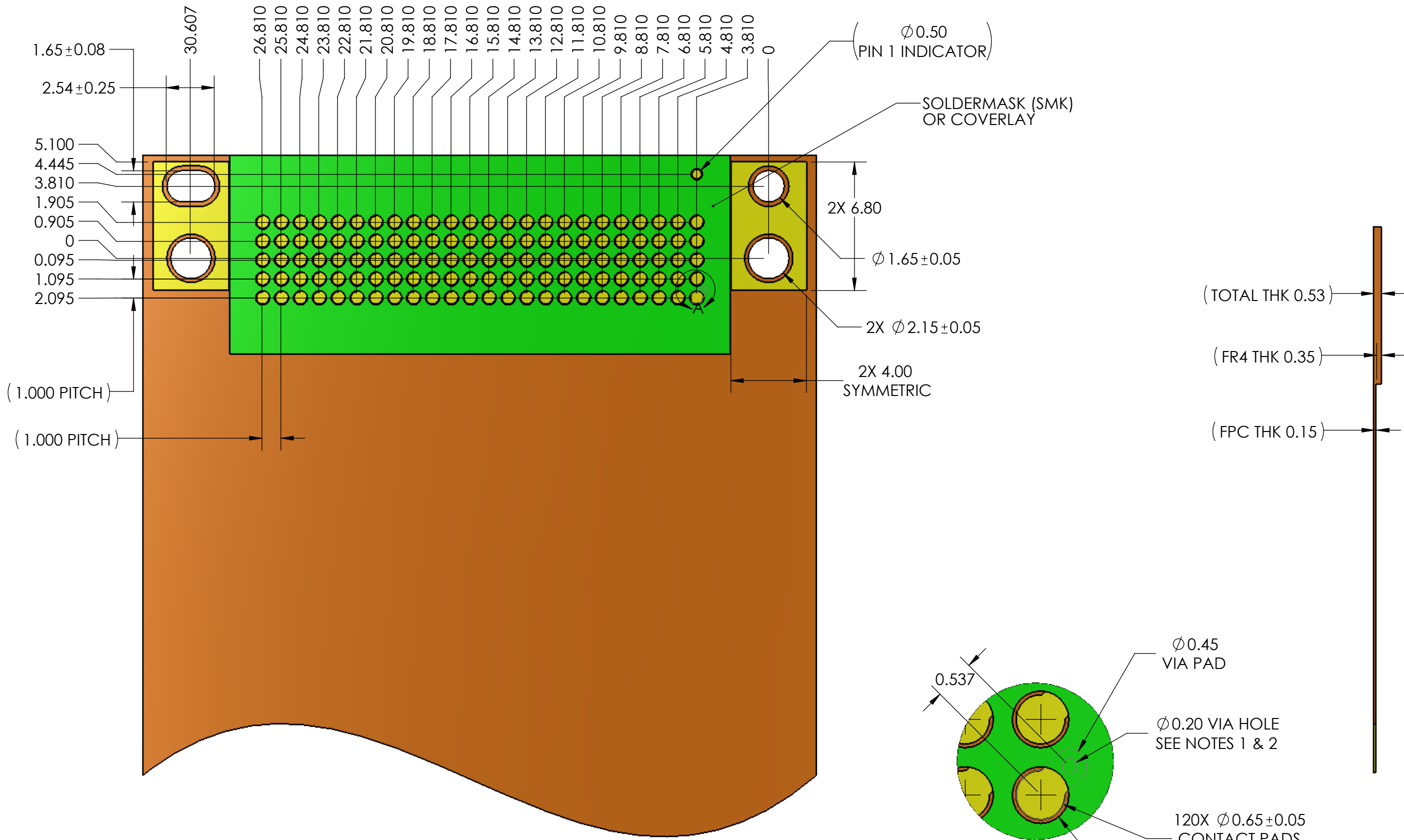
DIMENSIONS ARE IN MM
.X ± 0.13
.XX ± 0.08
.XXX ± 0.025
ANGLE: NO DEC ± 1
.X ± 0.5
.XX ± 0.25
THIRD ANGLE

MATERIAL: SEE NOTES
FINISH:
DRAWN BY: W.B.LONG 08-01-2019
CHECKED BY:
ENGR APPR:
MFG APPR:
QA APPR:

TITLE: RECOMMENDED PCB LAYOUT
SPH1-D120A
DWG NUMBER: SPH1-D120A-PCB
REV: B
SCALE: 5:1
SHEET 3 OF 4

- PROPRIETARY INFORMATION -
NO USE OR REPRODUCTION MAY BE MADE OF
THIS DOCUMENT WITHOUT EXPRESS WRITTEN
PERMISSION OF NEOCONIX.

REVISIONS				
REV	ECN	DESCRIPTION	DATE	APPROVED
A	1249	PRODUCTION RELEASE	08-29-2019	WES TAO
B	1285	INCREASE MOUNTING HOLE	03-01-2021	WES TAO



- NOTES:
- IT IS ACCEPTABLE TO ROTATE THE POSITION OF THE VIAS AS NEEDED.
 - IF THE VIA NEEDS TO BE LOCATED WITHIN THE 0.60MM PAD DIAMETER, IT MUST BE FILLED, PLATED, AND PLANARIZED WITH 25UM MAX DIMPLE.
 - SOLDERMASK APPLICATION IN THE ARRAY AREA IS OPTIONAL. IF APPLIED, IT SHALL NOT PROTRUDE MORE THAN 0.03MM ABOVE THE SURFACE OF THE MATING PADS.

<p>4020 MOORPARK AVENUE #108 SAN JOSE, CA 95117 USA TEL: 408-530-9393 FAX: 408-530-9383</p>	DIMENSIONS ARE IN MM .X ± 0.13 .XX ± 0.08 .XXX ± 0.025		MATERIAL: SEE NOTES FINISH:		TITLE: RECOMMENDED FPC LAYOUT SPH1-D120A		
	ANGLE: NO DEC ± 1 .X ± 0.5 .XX ± 0.25		DRAWN BY: W.B.LONG CHECKED BY: 08-01-2019	SIZE: B+	DWG NUMBER: SPH1-D120A-FPC	REV: B	
			ENGR APPR:	MFG APPR:	QA APPR:	SCALE: 5:1	SHEET 4 OF 4