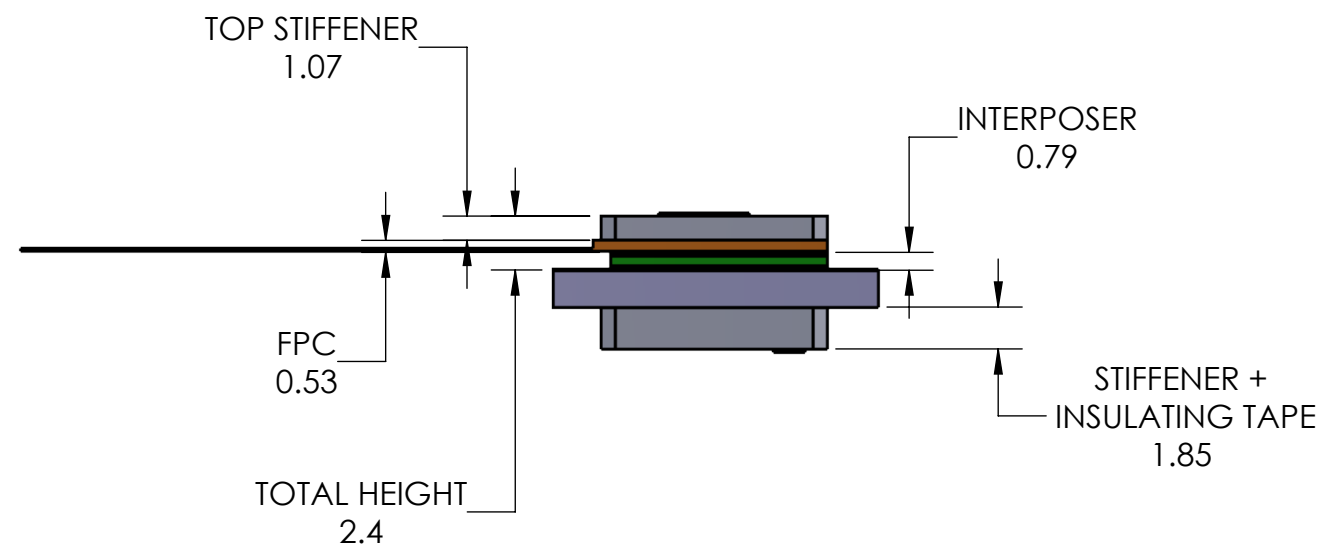
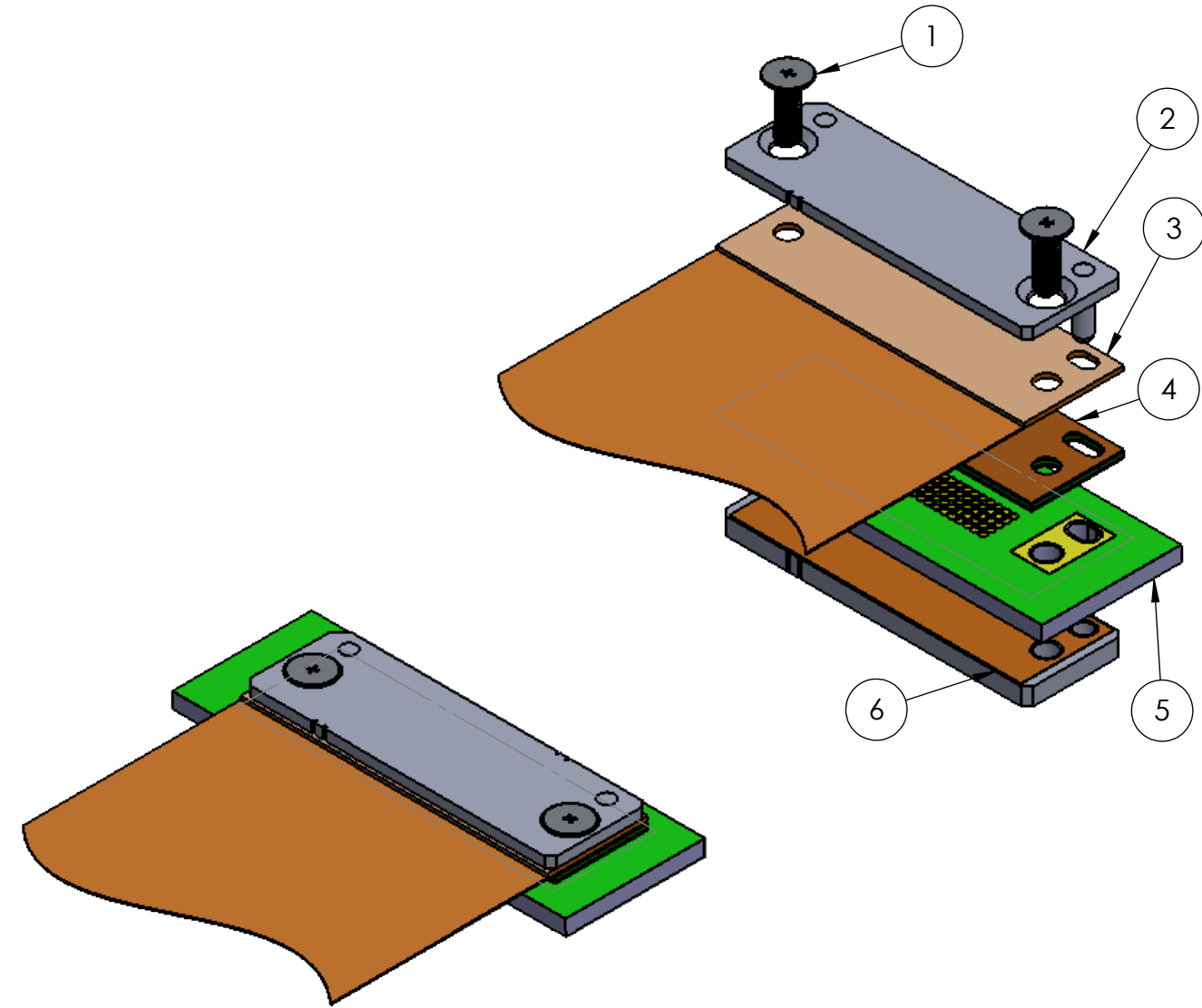
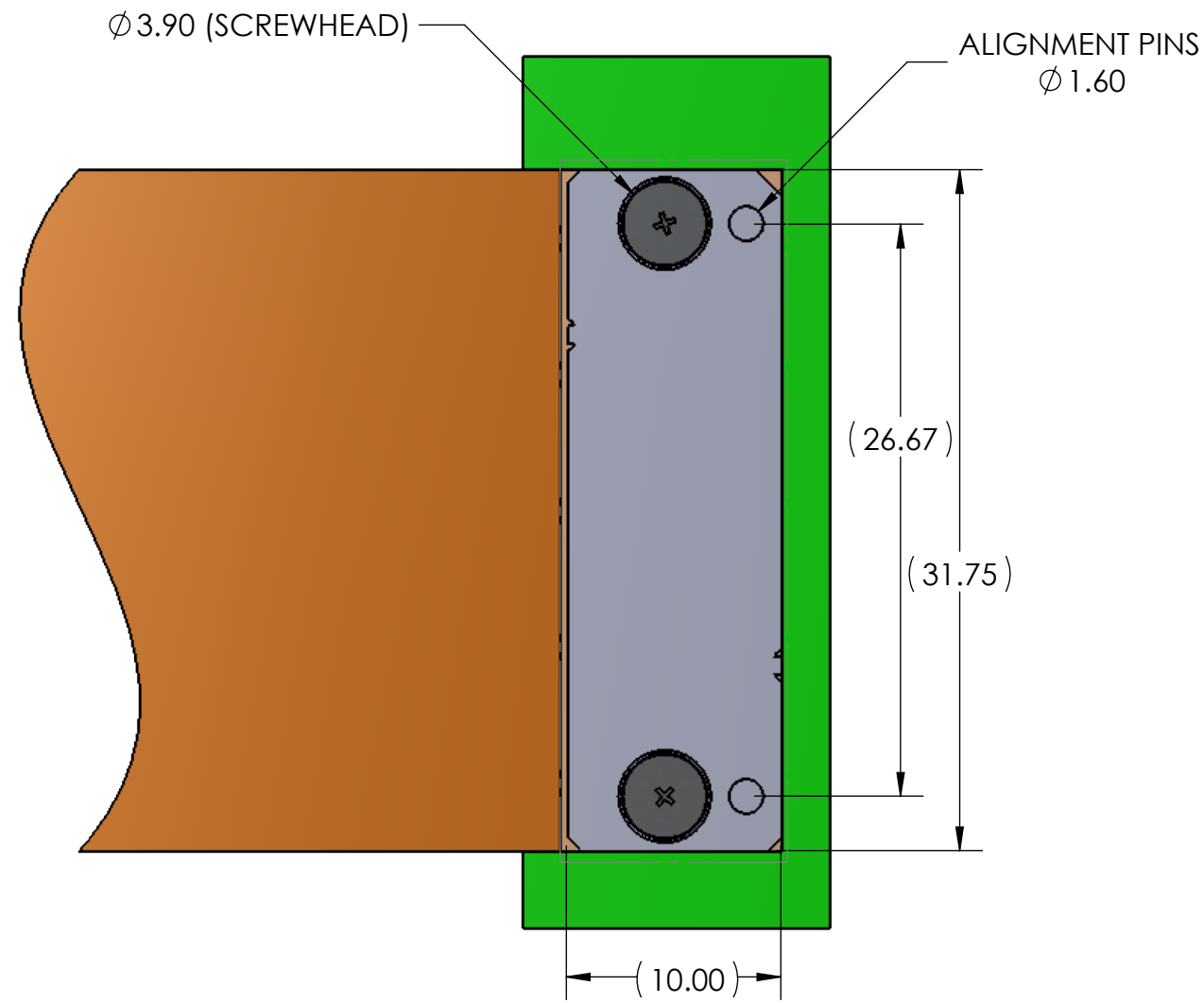


- PROPRIETARY INFORMATION -  
NO USE OR REPRODUCTION MAY BE MADE OF  
THIS DOCUMENT WITHOUT EXPRESS WRITTEN  
PERMISSION OF NEOCONIX.

REVISIONS				
REV	ECN	DESCRIPTION	DATE	APPROVED
A	1249	PRODUCTION RELEASE	08-29-2019	WES TAO
B	1285	MOUNTING HOLES: STIFFENERS	03-01-2021	WES TAO



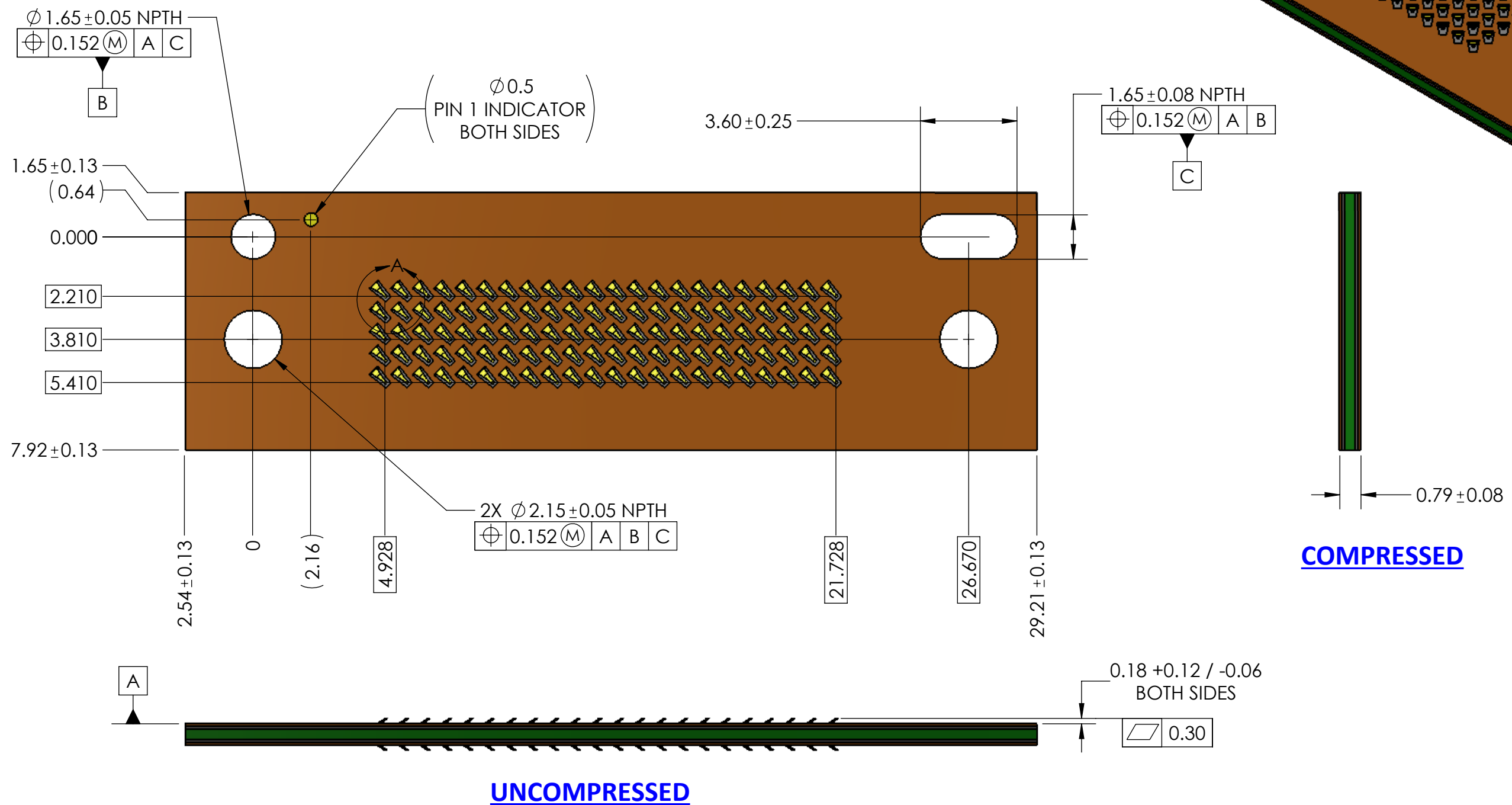
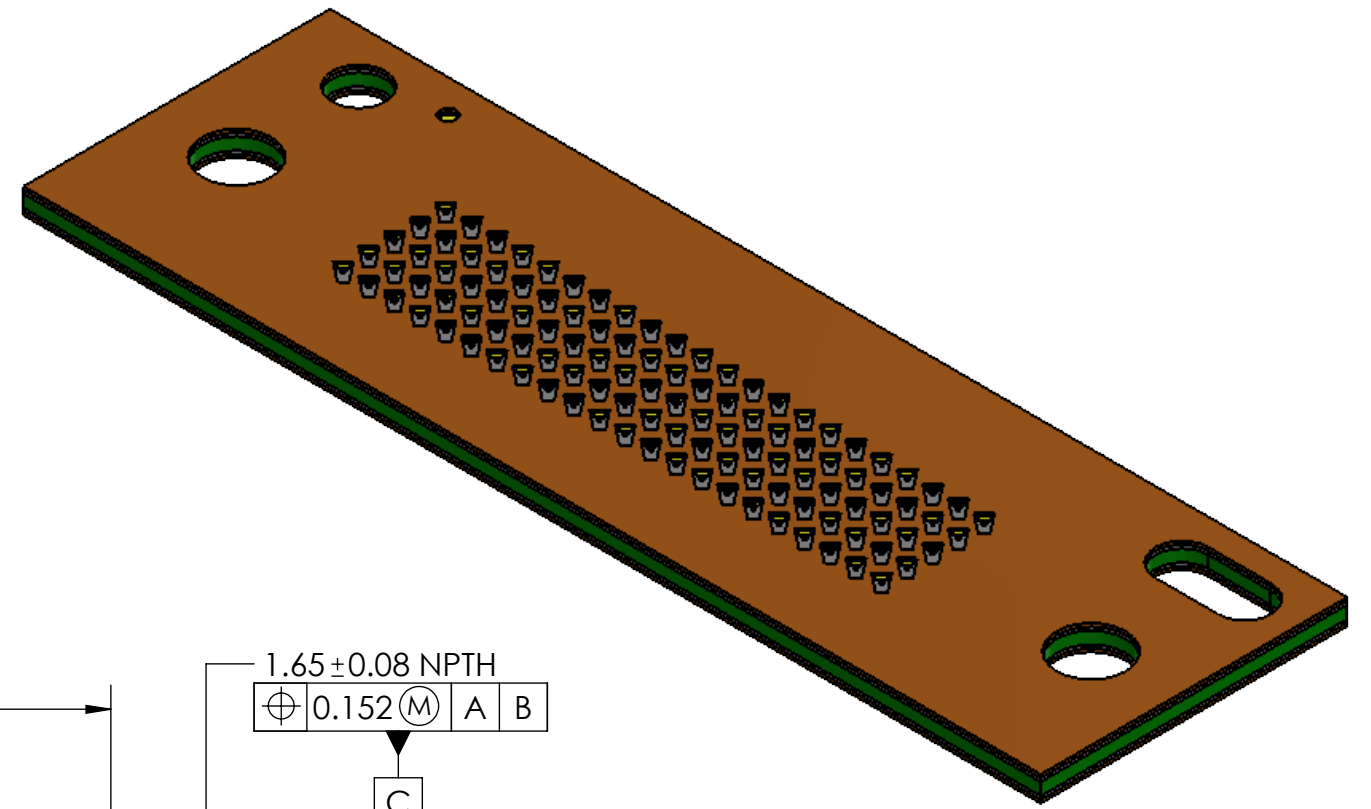
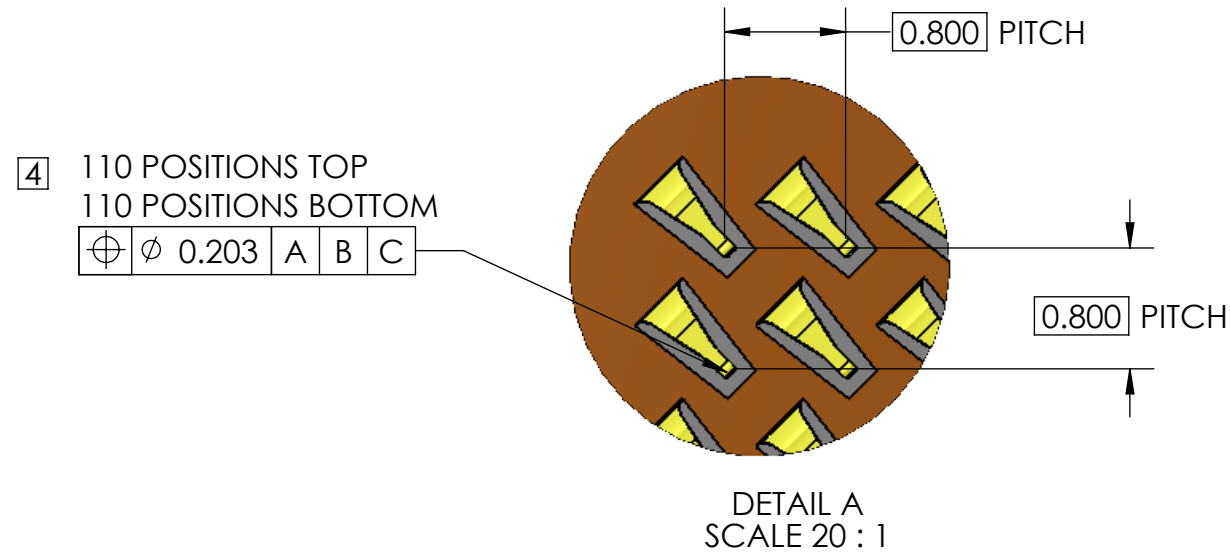
ITEM	DESCRIPTION	NEOCONIX P/N	QTY PER ASSY
1	M2 FLATHEAD SCREW	VARIOUS *	2
2	TOP STIFFENER	B01-000625-Lxxx *	1
3	FPC	CUSTOM	1
4	INTERPOSER	SPH1-C110A	1
5	PCB	CUSTOM	1
6	BOTTOM STIFFENER	B01-000629	1

\* SEE AS-000017 FOR VARIOUS PART NUMBER  
OPTIONS BASED ON ASSEMBLY THICKNESS STACKUP.  
ALL ITEMS ORDERED SEPARATELY.

<p>4020 MOORPARK AVENUE #108 SAN JOSE, CA 95117 USA TEL: 408-530-9393 FAX: 408-530-9383</p>	DIMENSIONS ARE IN MM [INCH] .X ± .XX ± .XXX ± ANGLE: NO DEC ± .X ± .XX ±	MATERIAL: SEE NOTES FINISH: <input checked="" type="checkbox"/>	TITLE: <b>SPH1 ASSEMBLY</b> <b>110 POSITIONS LGA-LGA</b>	
	DRAWN BY: W.B.LONG CHECKED BY: ENGR APPR: MFG APPR: QA APPR:	08-01-2019 SIZE: B+	DWG NUMBER: <b>SPH1-C110A-ASY</b>	REV: B
	THIRD ANGLE	SCALE: 2:1	SHEET 1 OF 4	

- PROPRIETARY INFORMATION -  
NO USE OR REPRODUCTION MAY BE MADE OF  
THIS DOCUMENT WITHOUT EXPRESS WRITTEN  
PERMISSION OF NEOCONIX.

REVISION				
REV	ECN	DESCRIPTION	DATE	APPROVED
A	1249	PRODUCTION RELEASE	08-29-2019	WES TAO
B	1285	INCREASED MOUNTING HOLE	03-01-2021	WES TAO



NOTES (UNLESS OTHERWISE SPECIFIED):

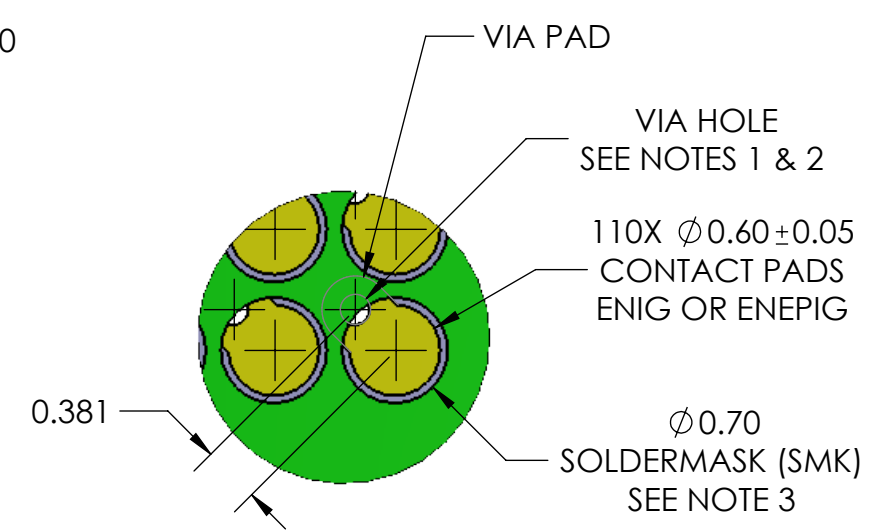
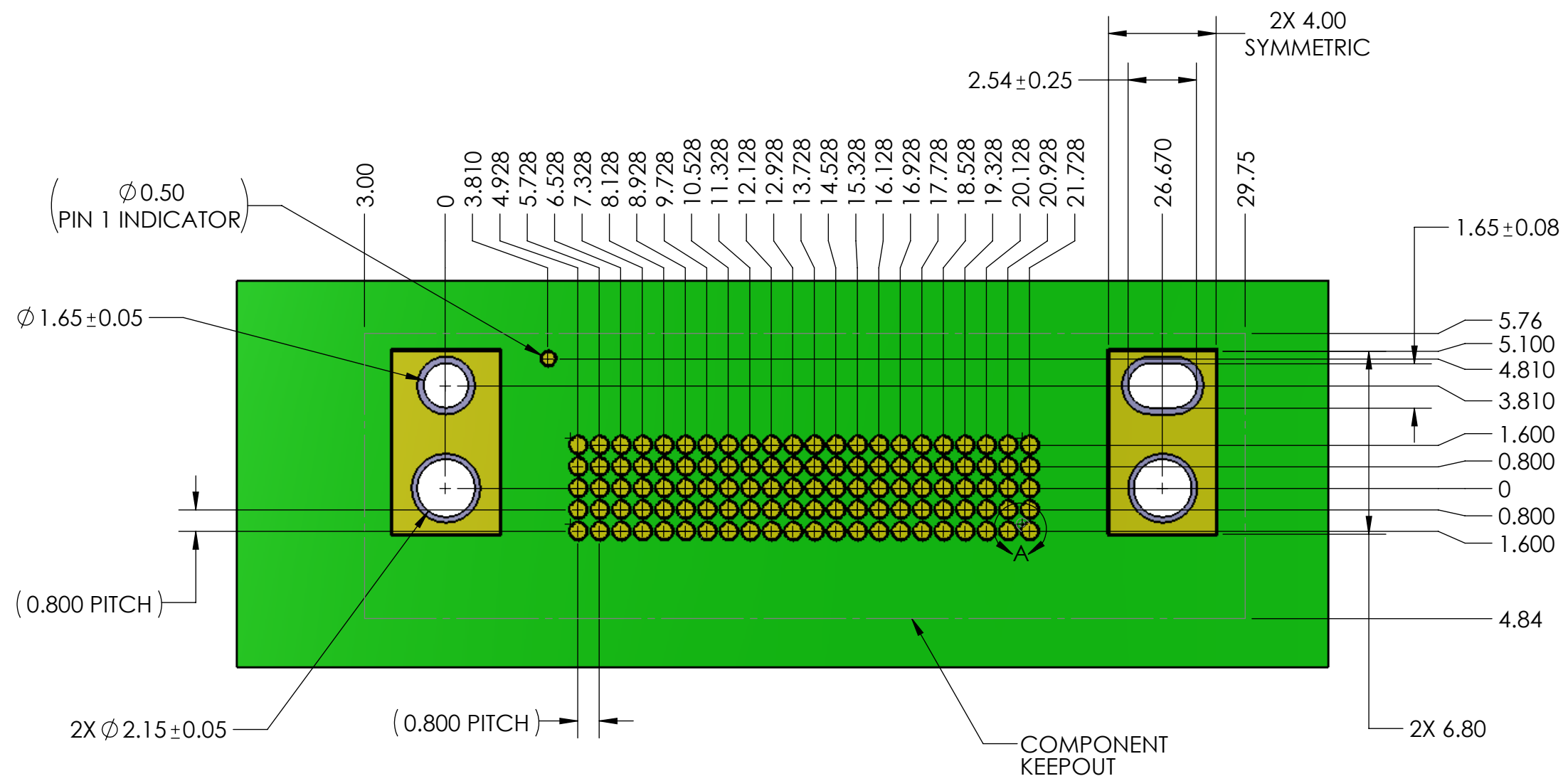
1. INTERPRET DRAWING PER ASME Y14.5M-1994.
2. HALOGEN-FREE PER IPC-4101B.
3. COMPLIANT WITH RoHS DIRECTIVE 2011/65/EU.

4 CENTER MARKS OF CONTACT POSITIONS ARE FOR COMPRESSED STATE

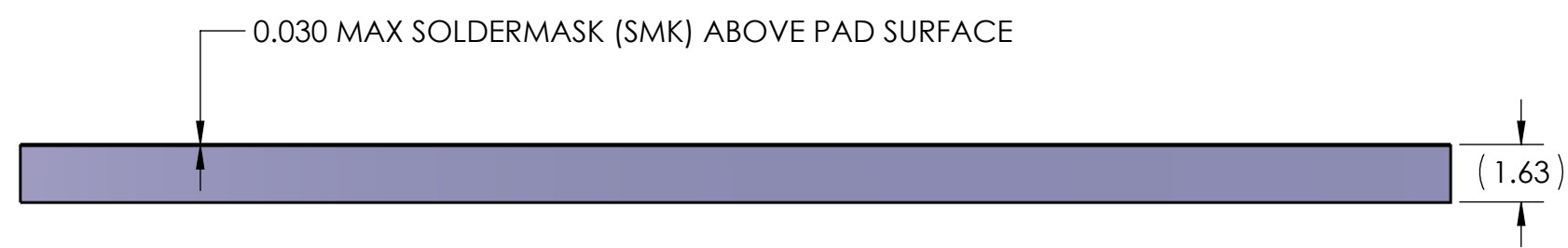
<p>4020 MOORPARK AVENUE #108 SAN JOSE, CA 95117 USA TEL: 408-530-9393 FAX: 408-530-9383</p>	DIMENSIONS ARE IN MM .X $\pm 0.13$ .XX $\pm 0.08$ .XXX $\pm 0.025$		MATERIAL: SEE NOTES FINISH:		TITLE: <b>SPH1 INTERPOSER 110 POS LGA - LGA</b>	
	ANGLE: NO DEC $\pm 2$ DEGREE .X $\pm$ .XX $\pm$		DRAWN BY: W.B.LONG 08-01-2019 CHECKED BY:		SIZE: B+ DWG NUMBER: SPH1-C110A REV: B	
			ENGR APPR: MFG APPR: QA APPR:		SCALE: 5:1 SHEET 2 OF 4	

- PROPRIETARY INFORMATION -  
NO USE OR REPRODUCTION MAY BE MADE OF  
THIS DOCUMENT WITHOUT EXPRESS WRITTEN  
PERMISSION OF NEOCONIX.

REVISIONS				
REV	ECN	DESCRIPTION	DATE	APPROVED
A	1249	PRODUCTION RELEASE	08-29-2019	WES TAO
B	1285	INCREASED MOUNTING HOLE	03-01-2021	WES TAO



DETAIL A  
SCALE 20 : 1

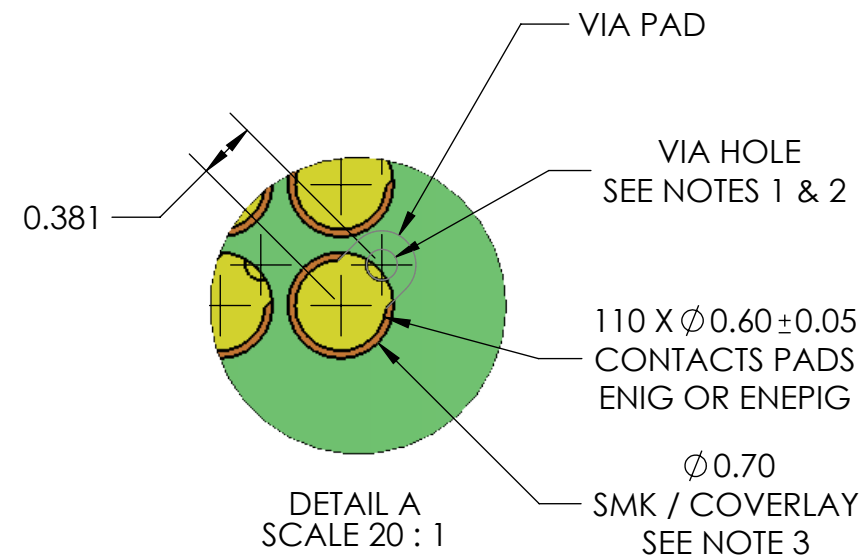
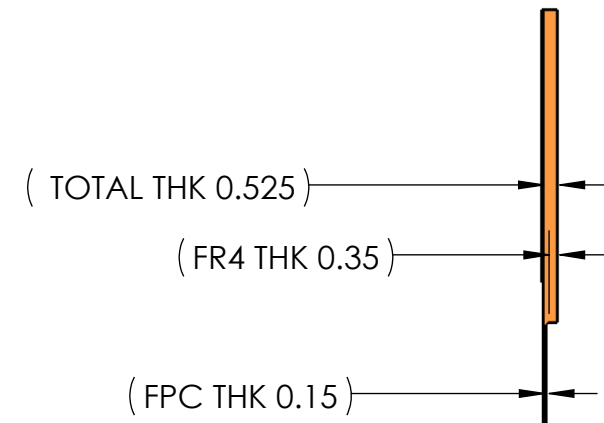
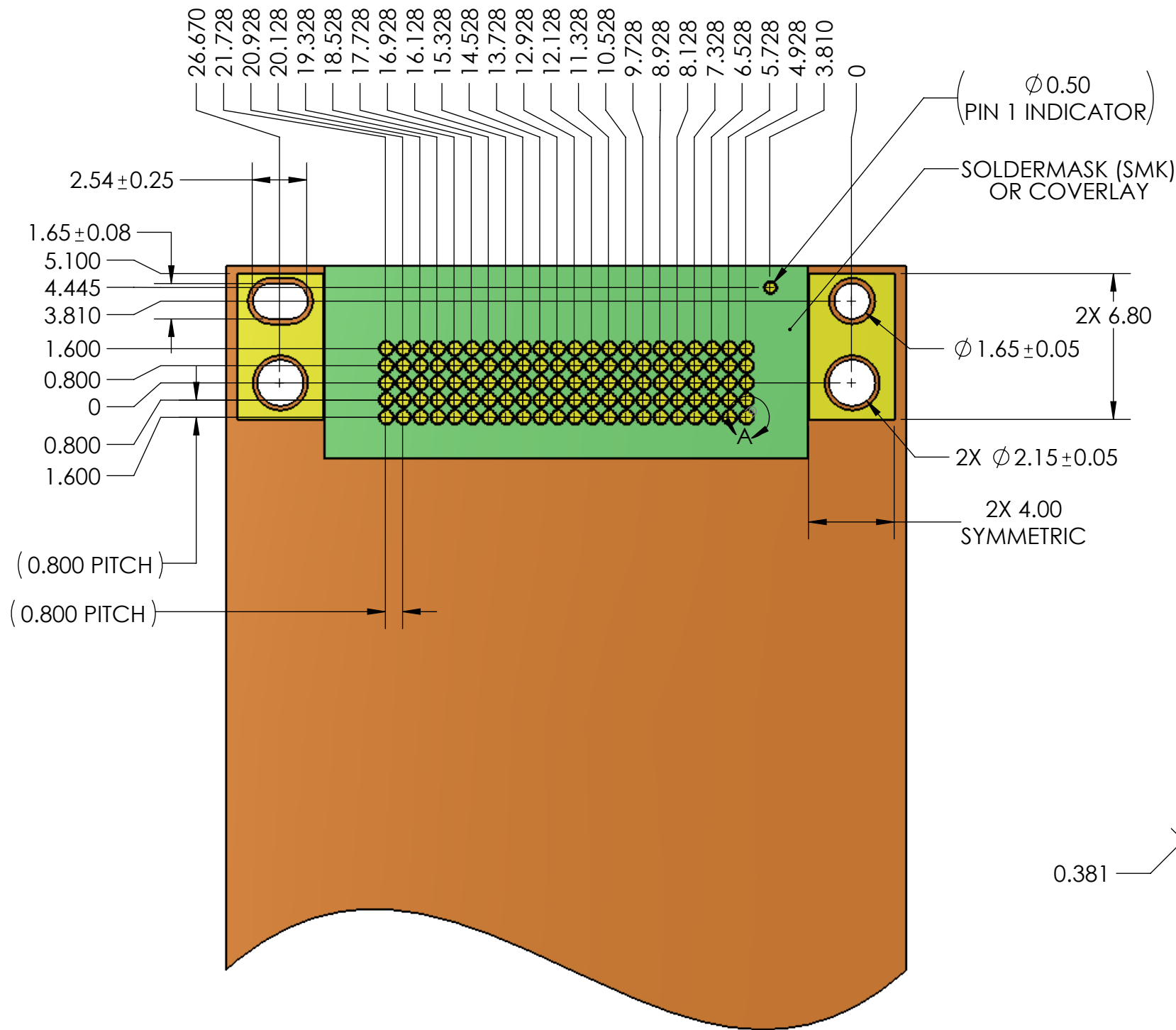


- NOTES:
- IT IS ACCEPTABLE TO ROTATE THE POSITION OF THE VIAS AS NEEDED.
  - IF THE VIA NEEDS TO BE LOCATED WITHIN THE 0.60MM PAD DIAMETER, IT MUST BE FILLED, PLATED, AND PLANARIZED WITH 25UM MAX DIMPLE.
  - SOLDERMASK APPLICATION IN THE ARRAY AREA IS OPTIONAL. IF APPLIED, IT SHALL NOT PROTRUDE MORE THAN 0.03MM ABOVE THE SURFACE OF THE MATING PADS.

<p>4020 MOORPARK AVENUE #108 SAN JOSE, CA 95117 USA TEL: 408-530-9393 FAX: 408-530-9383</p>	DIMENSIONS ARE IN MM .X ± 0.13 .XX ± 0.08 .XXX ± 0.025		MATERIAL: SEE NOTES FINISH:		TITLE: RECOMMENDED PCB LAYOUT SPH1-C110A	
	ANGLE: NO DEC ± 1 .X ± 0.5 .XX ± 0.25		DRAWN BY: W.B.LONG 08-01-2019		DWG NUMBER: SPH1-C110A-PCB	
	THIRD ANGLE		CHECKED BY:		REV B	
			ENGR APPR: MFG APPR: QA APPR:		SCALE: 10:1 SHEET 3 OF 4	

- PROPRIETARY INFORMATION -  
NO USE OR REPRODUCTION MAY BE MADE OF  
THIS DOCUMENT WITHOUT EXPRESS WRITTEN  
PERMISSION OF NEOCONIX.

REVISIONS				
REV	ECN	DESCRIPTION	DATE	APPROVED
A	1249	PRODUCTION RELEASE	08-29-2019	WES TAO
B	1285	INCREASED MOUNTING HOLE	03-01-2021	WES TAO



NOTES:

- IT IS ACCEPTABLE TO ROTATE THE POSITION OF THE VIAS AS NEEDED.
- IF THE VIA NEEDS TO BE LOCATED WITHIN THE 0.60MM PAD DIAMETER, IT MUST BE FILLED, PLATED, AND PLANARIZED WITH 25UM MAX DIMPLE.
- SOLDERMASK APPLICATION IN THE ARRAY AREA IS OPTIONAL. IF APPLIED, IT SHALL NOT PROTRUDE MORE THAN 0.03MM ABOVE THE SURFACE OF THE MATING PADS.

<p>4020 MOORPARK AVENUE #108 SAN JOSE, CA 95117 USA TEL: 408-530-9393 FAX: 408-530-9383</p>	<p>DIMENSIONS ARE IN MM</p> <p>.X ± 0.13 .XX ± 0.08 .XXX ± 0.025</p> <p>ANGLE: NO DEC ± 1 X ± 0.5 XX ± 0.25</p> <p>THIRD ANGLE</p>	<p>MATERIAL: SEE NOTES</p> <p>FINISH:</p> <p>DRAWN BY: W.B.LONG 08-01-2019</p> <p>CHECKED BY:</p> <p>ENGR APPR:</p> <p>MFG APPR:</p> <p>QA APPR:</p>	<p>TITLE: RECOMMENDED FPC LAYOUT SPH1-C110A</p> <p>DWG NUMBER: SPH1-C110A-FPC</p> <p>SCALE: 4:1</p>
	<p>SIZE: B+</p>	<p>REV: B</p>	<p>SHEET 4 OF 4</p>
	<p>REVISIONS</p>		
	<p>DATE: 08-29-2019</p>		