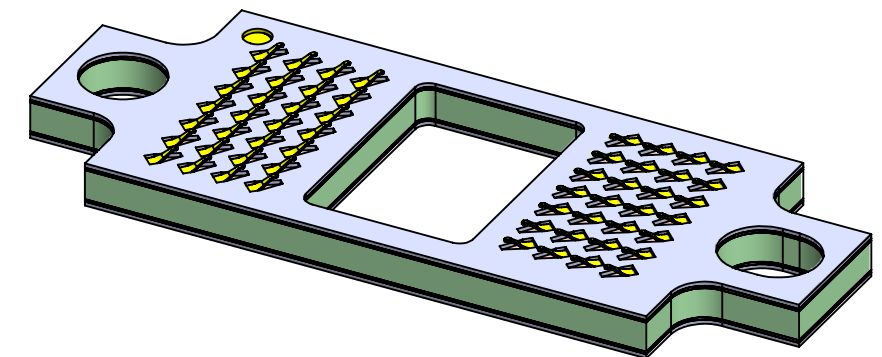
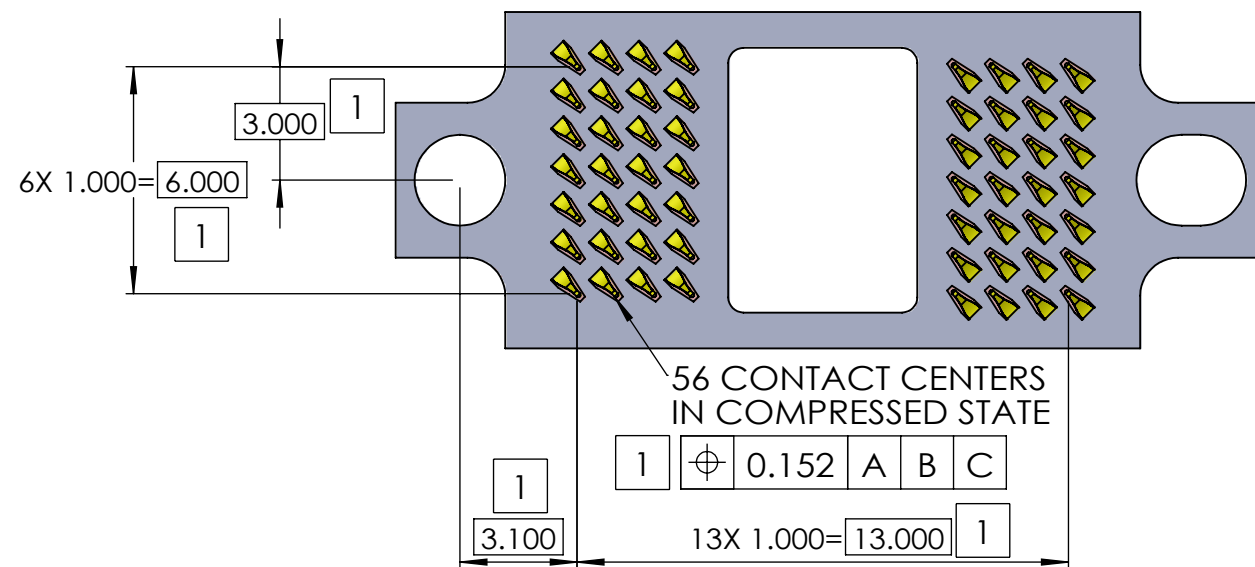
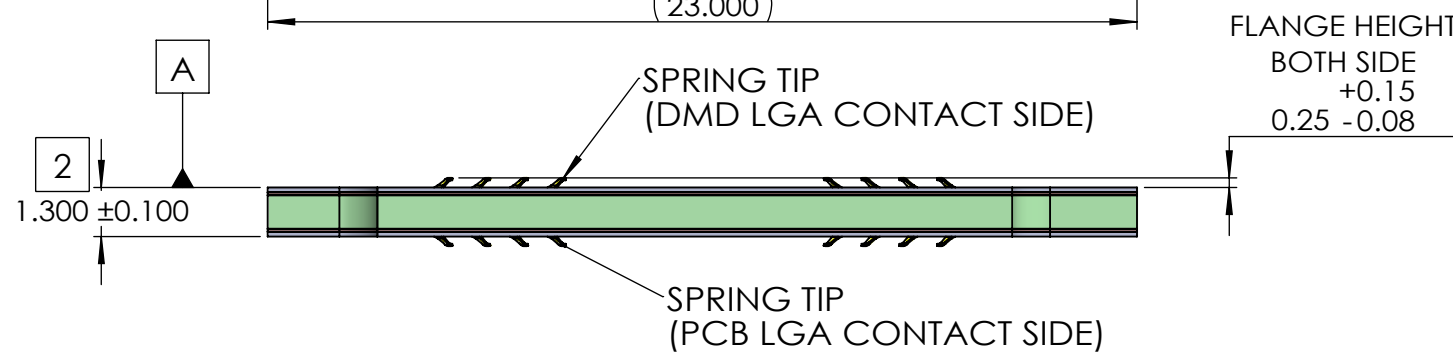
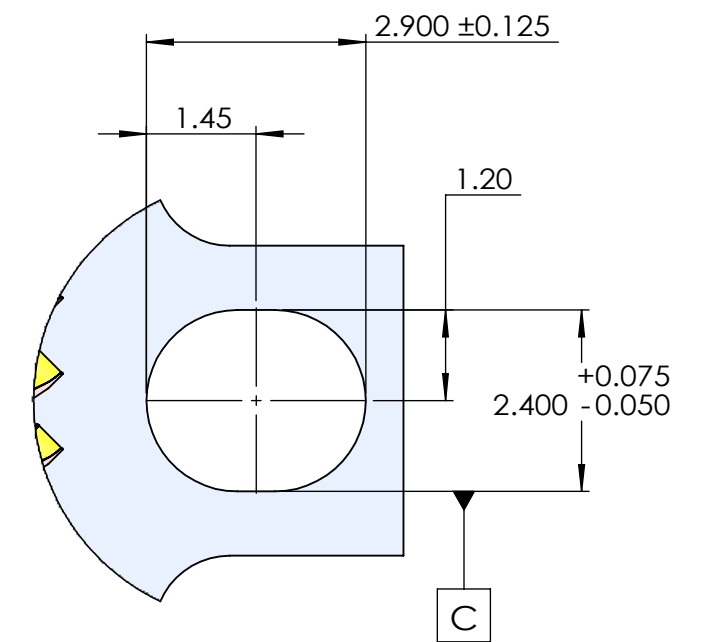
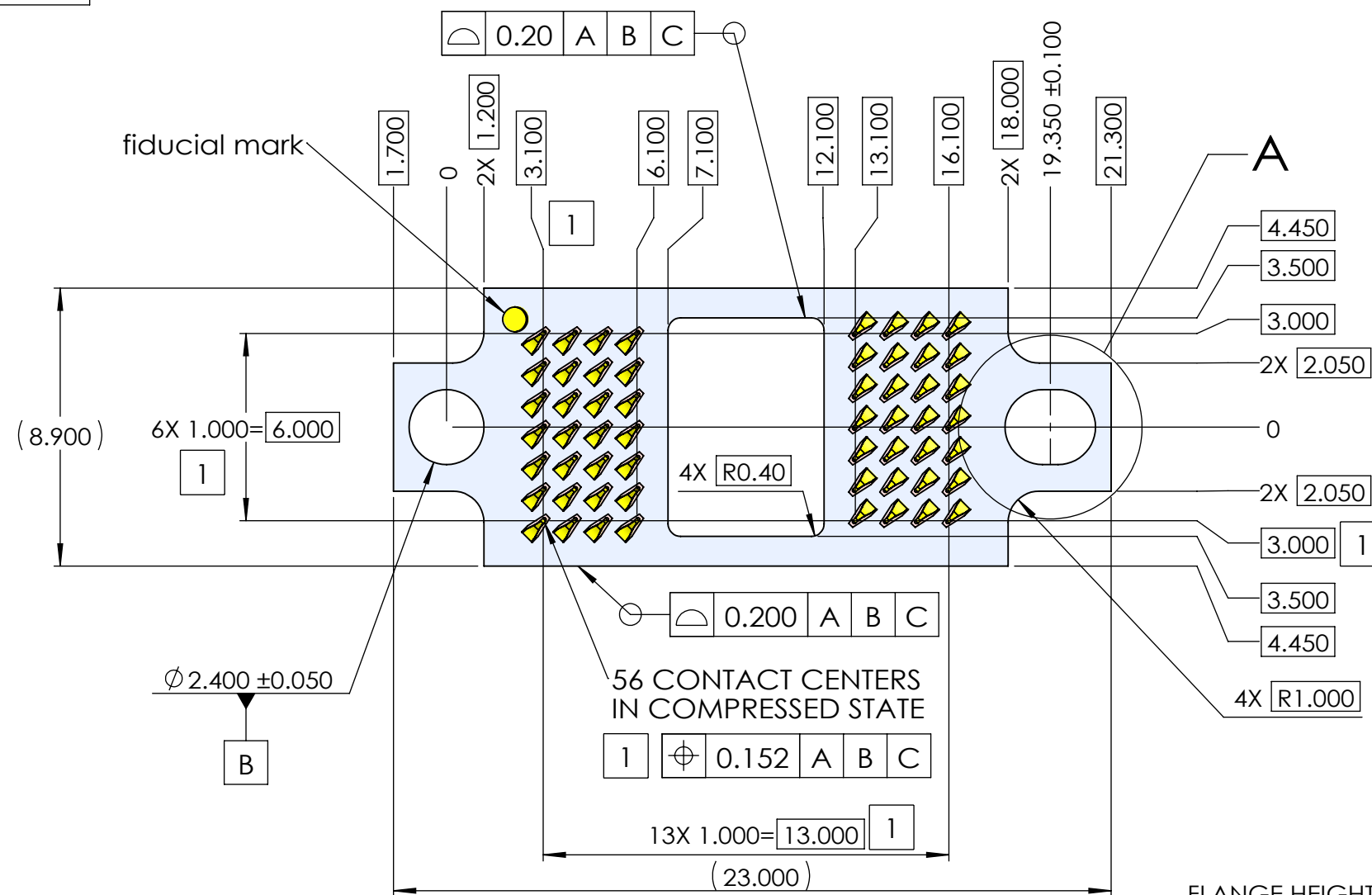


- PROPRIETARY INFORMATION -  
NO USE OR REPRODUCTION MAY BE MADE OF  
THIS DOCUMENT WITHOUT EXPRESS WRITTEN  
PERMISSION OF UNIMICRON.

| Revisions |       |                                |            |
|-----------|-------|--------------------------------|------------|
| REV       | ECN # | Description                    | Date       |
| 8         |       | Modifying FPC tolerances       | 02/27-2020 |
| 9         |       | Modifying slot hole tolerances | 03/30-2020 |
| A         |       | Add package page               | 08/21-2020 |

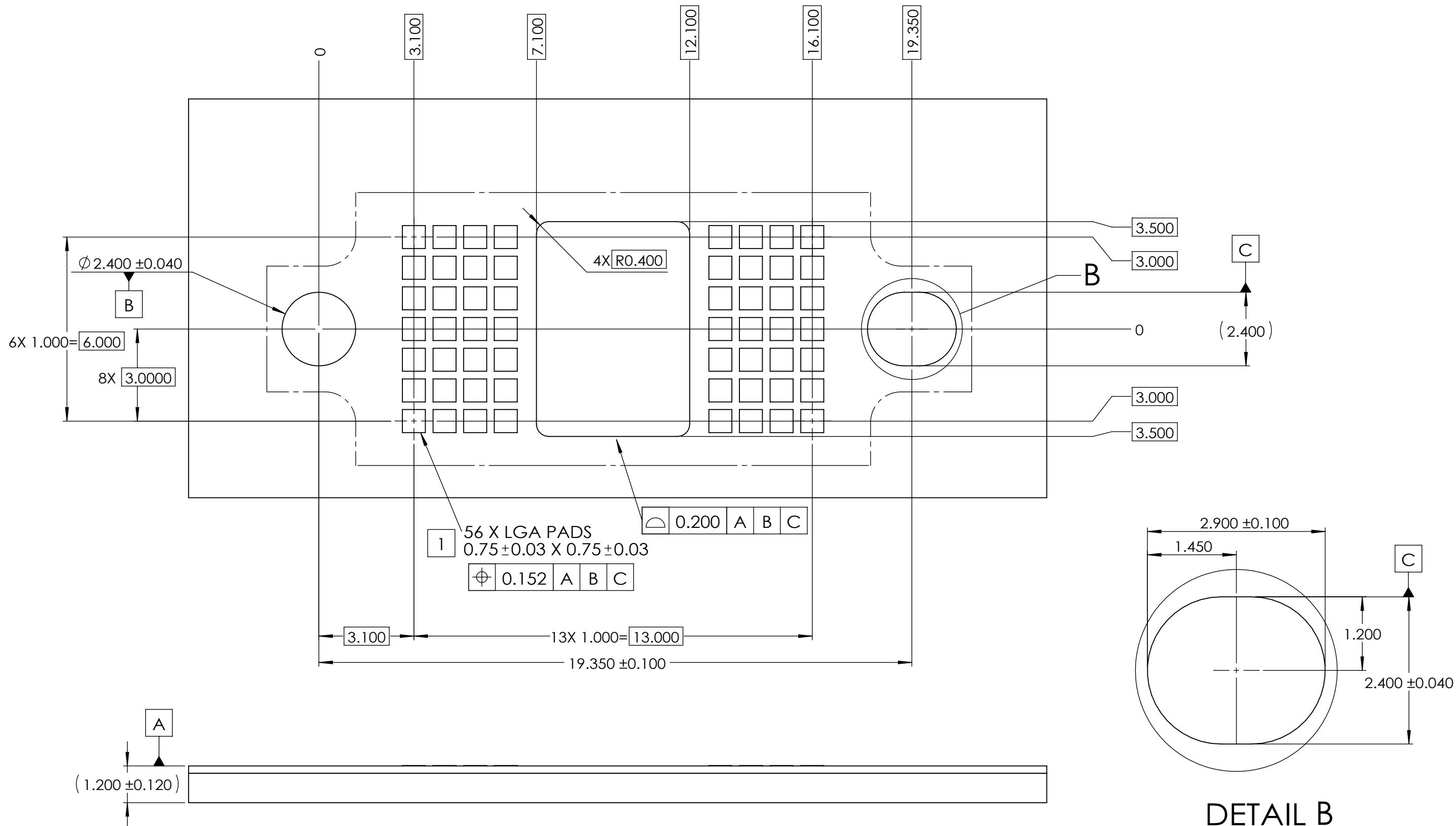


NOTES (UNLESS OTHERWISE SPECIFIED):

- 1 CENTER POSITION OF THE CONTACT AREA IN THE COMPRESSED STATE
- 2 HEIGHT WHEN CONTACTS ARE FULLY COMPRESSED BETWEEN DMD AND PCB

|  |  |  |  |  |   |  |
|--|--|--|--|--|---|--|
|  | DIMENSIONS ARE IN MM<br>.X ± 0.15<br>.XX ± 0.10<br>.XXX ± 0.05<br>ANGLE: NO DEC ± 1°<br>.X ± 0.5°<br>.XX ± 0.25° |  | MATERIAL:<br>FINISH: --<br>DRAWN BY: HM 08/21/2020<br>CHECKED BY: Gary Hsieh 08/21/2020<br>ENGR APPR: Gary Hsieh 08/21/2020<br>MFG APPR:<br>QA APPR: |  | TITLE:<br>56P INTERPOSER<br>SIZE: B+<br>DWG NUMBER: BDX0056DMMMSXAU00<br>SCALE: 5:1 |  |
|  | THIRD ANGLE  |  | SHEET 1 OF 3   |  | REV A   |  |
|  |  |  |  |  |   |  |
|  |  |  |  |  |   |  |

- PROPRIETARY INFORMATION -  
NO USE OR REPRODUCTION MAY BE MADE OF  
THIS DOCUMENT WITHOUT EXPRESS WRITTEN  
PERMISSION OF UNIMICRON.



## Recommended PCB PAD Layout

NOTES (UNLESS OTHERWISE SPECIFIED):

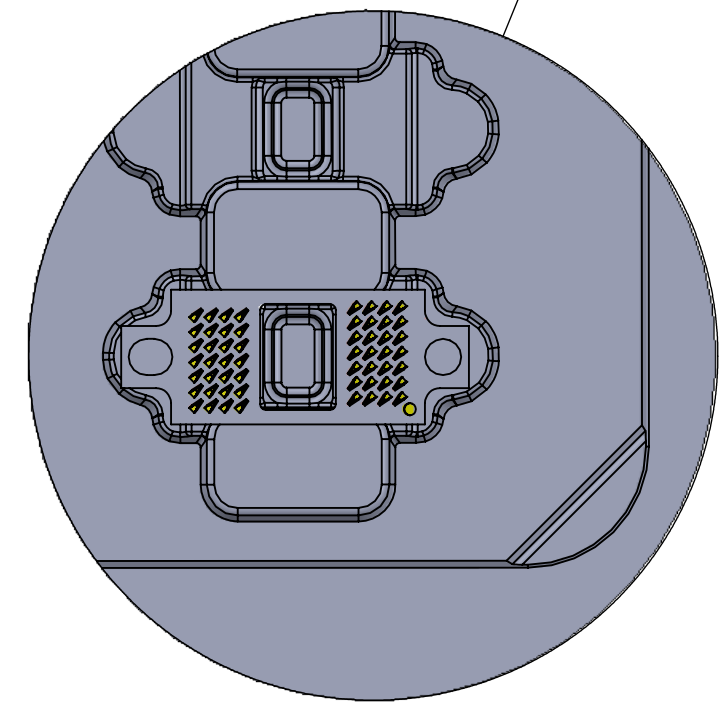
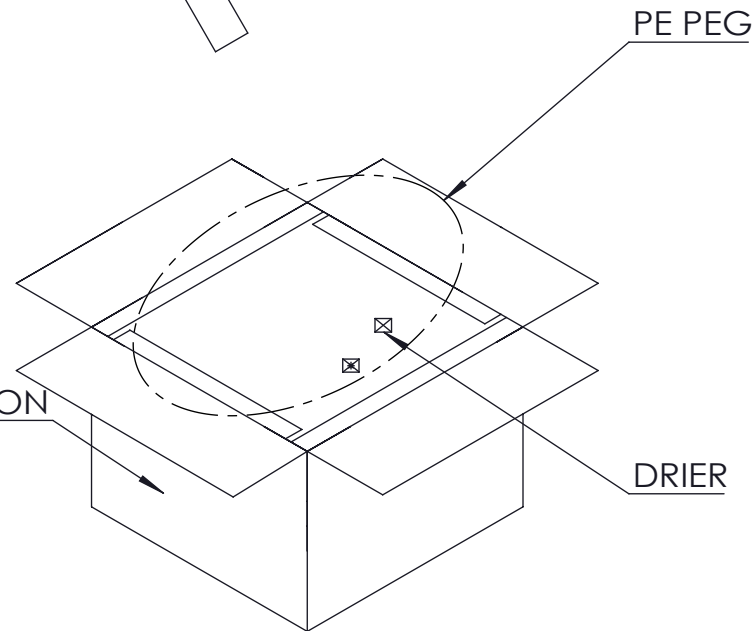
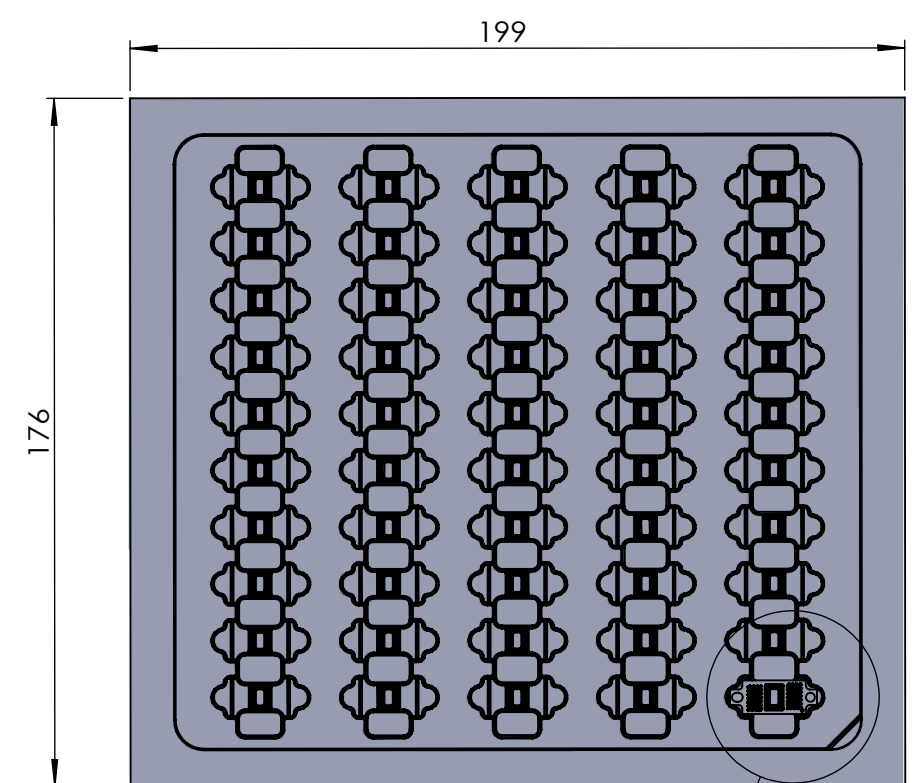
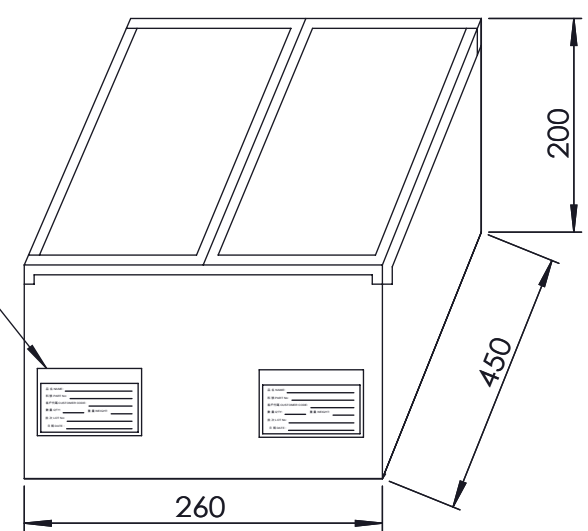
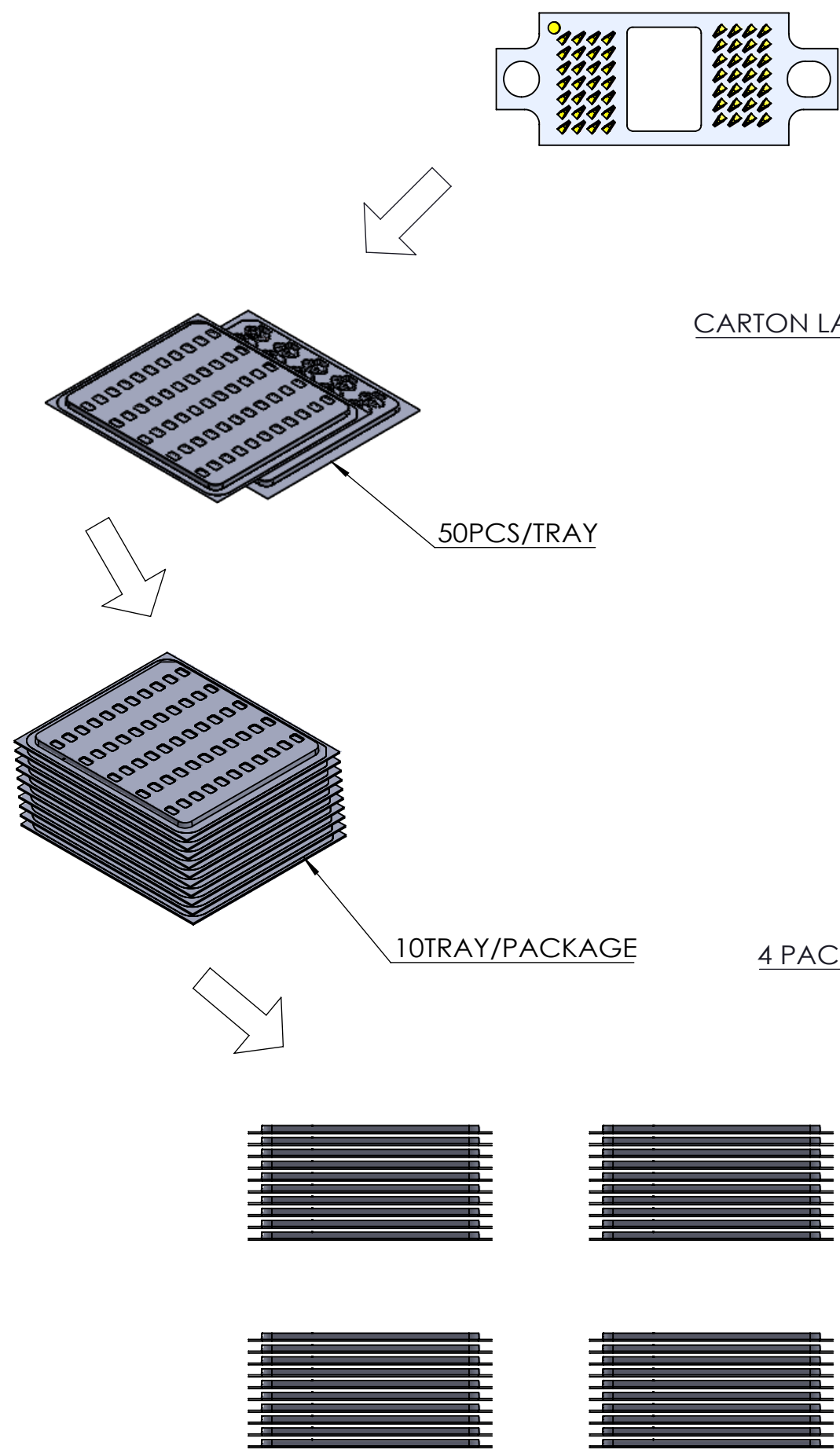
1 PADS TO BE ELECTROLESS

NICKEL / IMMERSION GOLD(ENIG)

PLATED.

|  |  |  |  |  |                              |  |
|--|--|--|--|--|------------------------------|--|
|  | DIMENSIONS ARE IN MM<br>.X ± 0.15<br>.XX ± 0.10<br>.XXX ± 0.05<br>ANGLE: NO DEC ± 1°<br>.X ± 0.5°<br>.XX ± 0.25° |  | MATERIAL:<br>FINISH: --<br>DRAWN BY: HM 08/21/2020<br>CHECKED BY: Gary Hsieh 08/21/2020<br>ENGR APPR: Gary Hsieh 08/21/2020<br>MFG APPR:<br>QA APPR: |  | TITLE:<br>56P INTERPOSER     |  |
|  | THIRD ANGLE  |  | SIZE: B+   |  | DWG NUMBER: BDX0056DMMSXAU00 |  |
|  |  |  |  |  | REV: A                       |  |
|  |  |  |  |  | SCALE: 5:1 SHEET 2 OF 3      |  |

- PROPRIETARY INFORMATION -  
NO USE OR REPRODUCTION MAY BE MADE OF  
THIS DOCUMENT WITHOUT EXPRESS WRITTEN  
PERMISSION OF NEOCONIX.



NOTE( UNLESS OTHERWISH SPECIFIED):  
1.COMPONENT LOAD PER TRAY : 50PCS  
40 TRAY/CARTON: 450mm X 260mm X 200mm.  
TOTAL: 2000PCS/CARTON  
2.MATERIAL:TRANSPARENT POLYSTYRENE(PS).

|  |  |  |  |  |                              |  |
|--|--|--|--|--|------------------------------|--|
|  | DIMENSIONS ARE IN<br>MM [INCH]<br>.X ± 0.15<br>.XX ± 0.10<br>.XXX ± 0.05<br>ANGLE: NO DEC ± 1°<br>.X ± 0.5°<br>.XX ± 0.25° |  | MATERIAL:<br>FINISH: --<br>DRAWN BY: HM 08/21/2020<br>CHECKED BY: Gary Hsieh 08/21/2020<br>ENGR APPR: Gary Hsieh 08/21/2020<br>MFG APPR:<br>QA APPR: |  | TITLE:<br>56P INTERPOSER     |  |
|  | THIRD ANGLE  |  | SIZE: B+   |  | REV: A                       |  |
|  |  |  |  |  | DWG NUMBER: BDX0056DMMSXAU00 |  |
|  |  |  |  |  | SCALE: 2.5:1 SHEET 3 OF 3    |  |