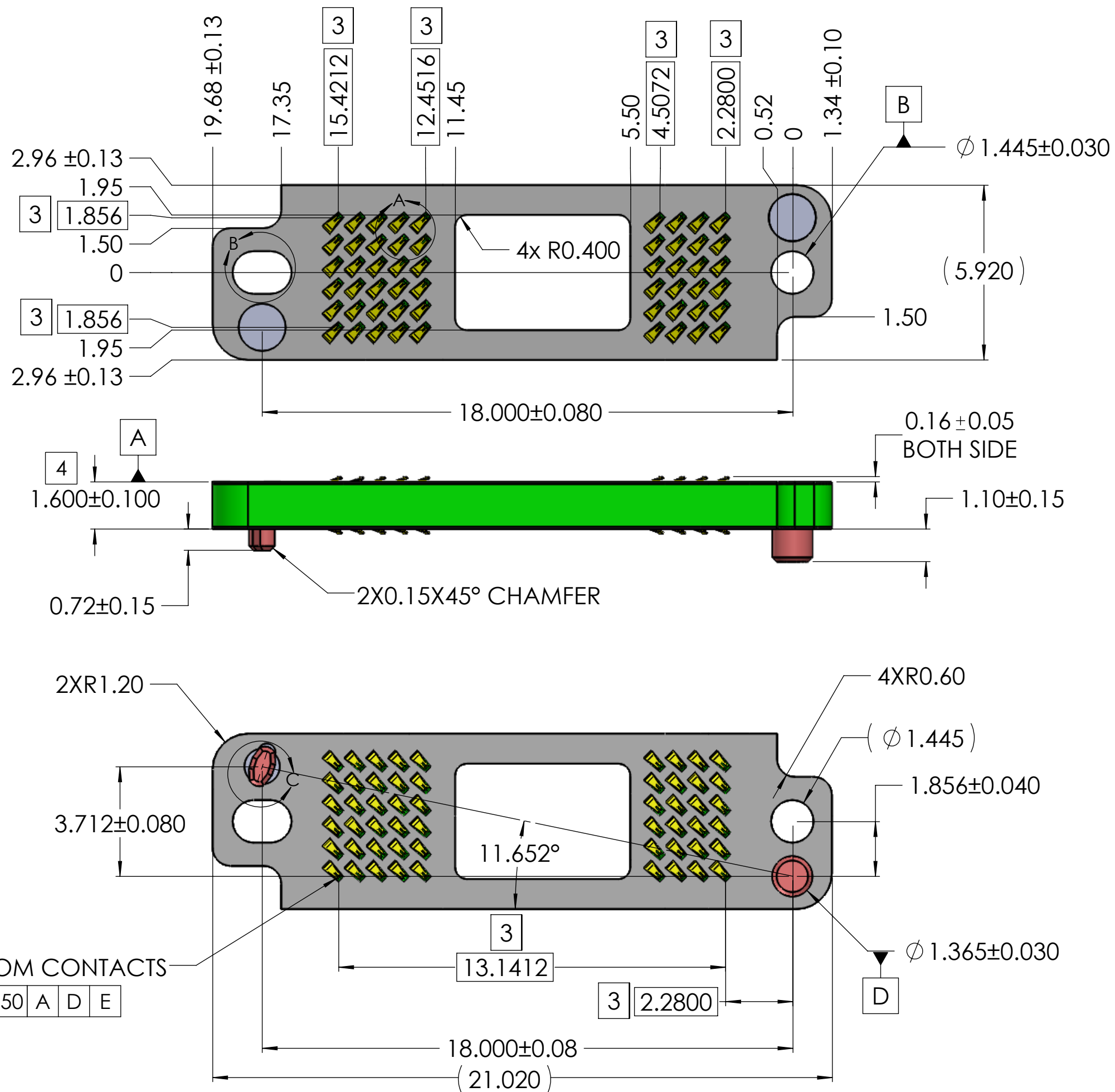
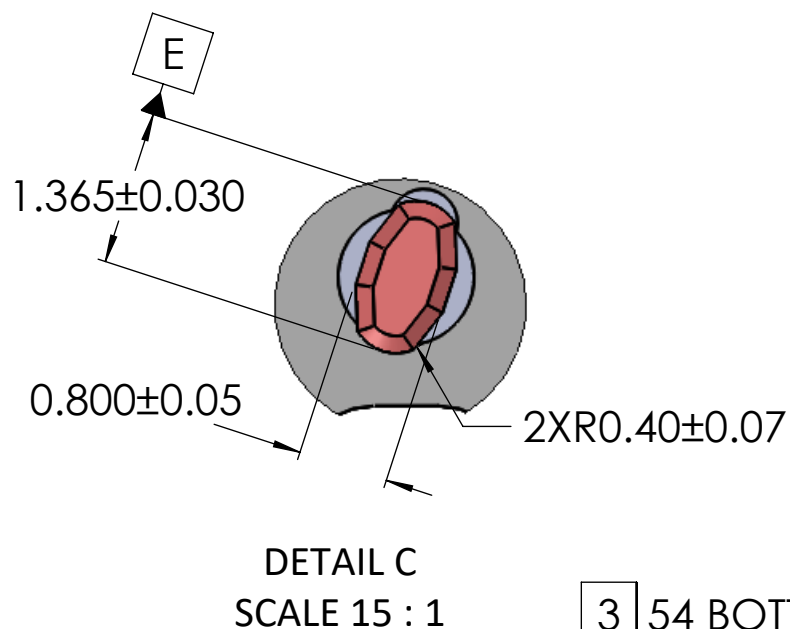
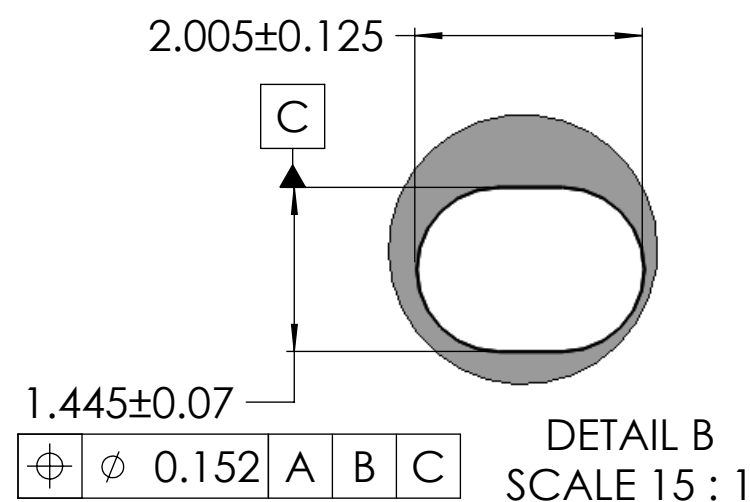
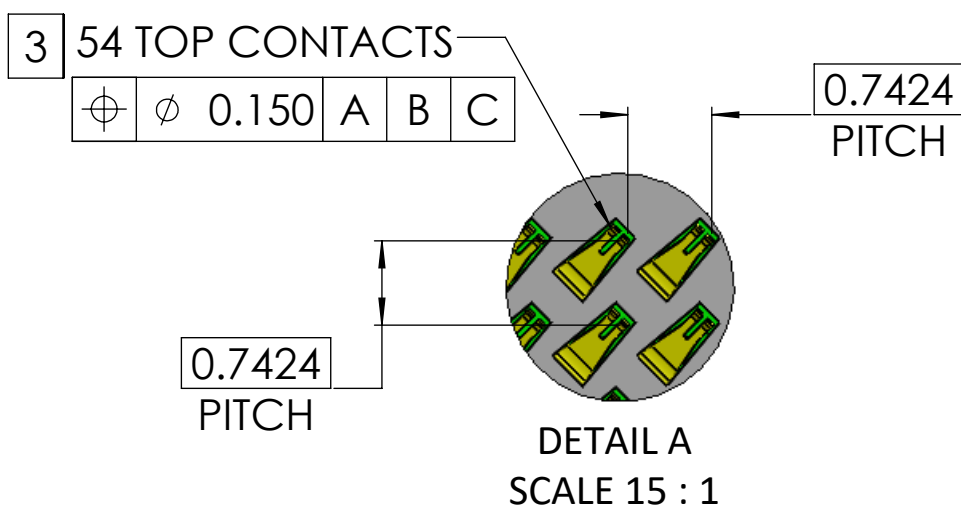


- PROPRIETARY INFORMATION -  
NO USE OR REPRODUCTION MAY BE MADE OF  
THIS DOCUMENT WITHOUT EXPRESS WRITTEN  
PERMISSION OF NEOCONIX.

Reversions			
REV	ECN #	Description	Date
4		Change the package SPEC	01/25/2018
5		Modify the guide pin hole diameter	03/05/2018
6		Modify the outline chamfer	10/28/2019



NOTES:(UNLESS OTHERWISE SPECIFIED)

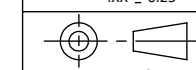
- 1.INTERPRET DRAWING PER ASME Y14.5-94.
- 2.COMPLIANT WITH RoHS DIRECTIVE 2011/65/EU
- 3 .CENTER MARKS OF CONTACT POSITIONS ARE FOR COMPRESSED
- 4 .HEIGHT AT FULLY COMPRESSED CONTACTS

**neconix**  
 715 N. PASTORIA AVE.  
 SUNNYVALE, CA 94085  
 TEL: 408-530-9393 FAX: 408-530-9372

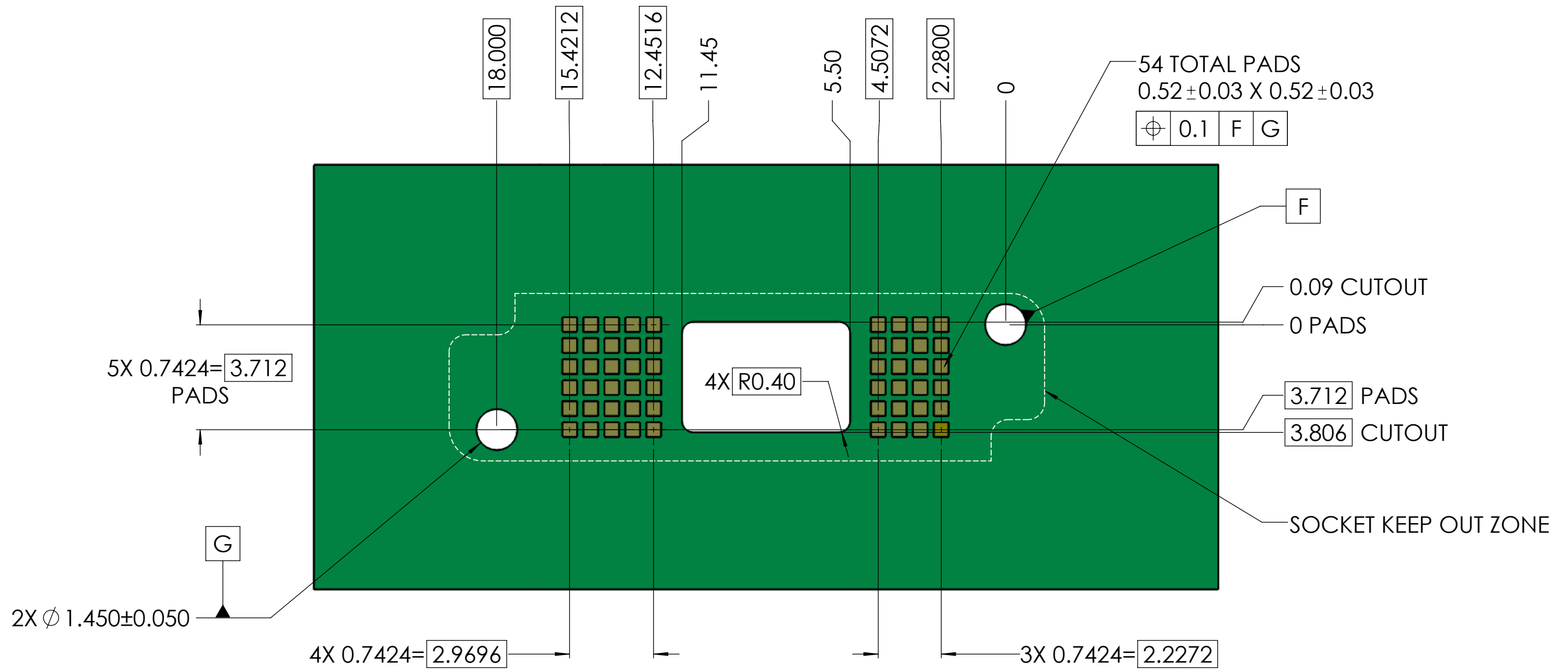
DIMENSIONS ARE IN  
 MM [INCH]  
 .X ± 0.13 [.005]  
 .XX ± 0.08 [.003]  
 .XXX ± 0.025 [.001]  
 ANGLE: NO DEC ± 1°  
 .X ± 0.5°  
 .XX ± 0.25°

MATERIAL:  
 FINISH: GOLD  
 DRAWN BY: Jianyuzhang 10/28/2019  
 CHECKED BY: Gary Hsieh 10/28/2019  
 ENGR APPR: Gary Hsieh 10/28/2019  
 MFG APPR:  
 QA APPR:

TITLE:  
 54 POS PCBeam INTERPOSER  
 LGA-LGA,0.7424 PITCH  
 DWG NUMBER:  
 BDX0054CMMF4AU00  
 SCALE: 7:1  
 SHEET 1 OF 3



- PROPRIETARY INFORMATION -  
NO USE OR REPRODUCTION MAY BE MADE OF  
THIS DOCUMENT WITHOUT EXPRESS WRITTEN  
PERMISSION OF NEOCONIX.

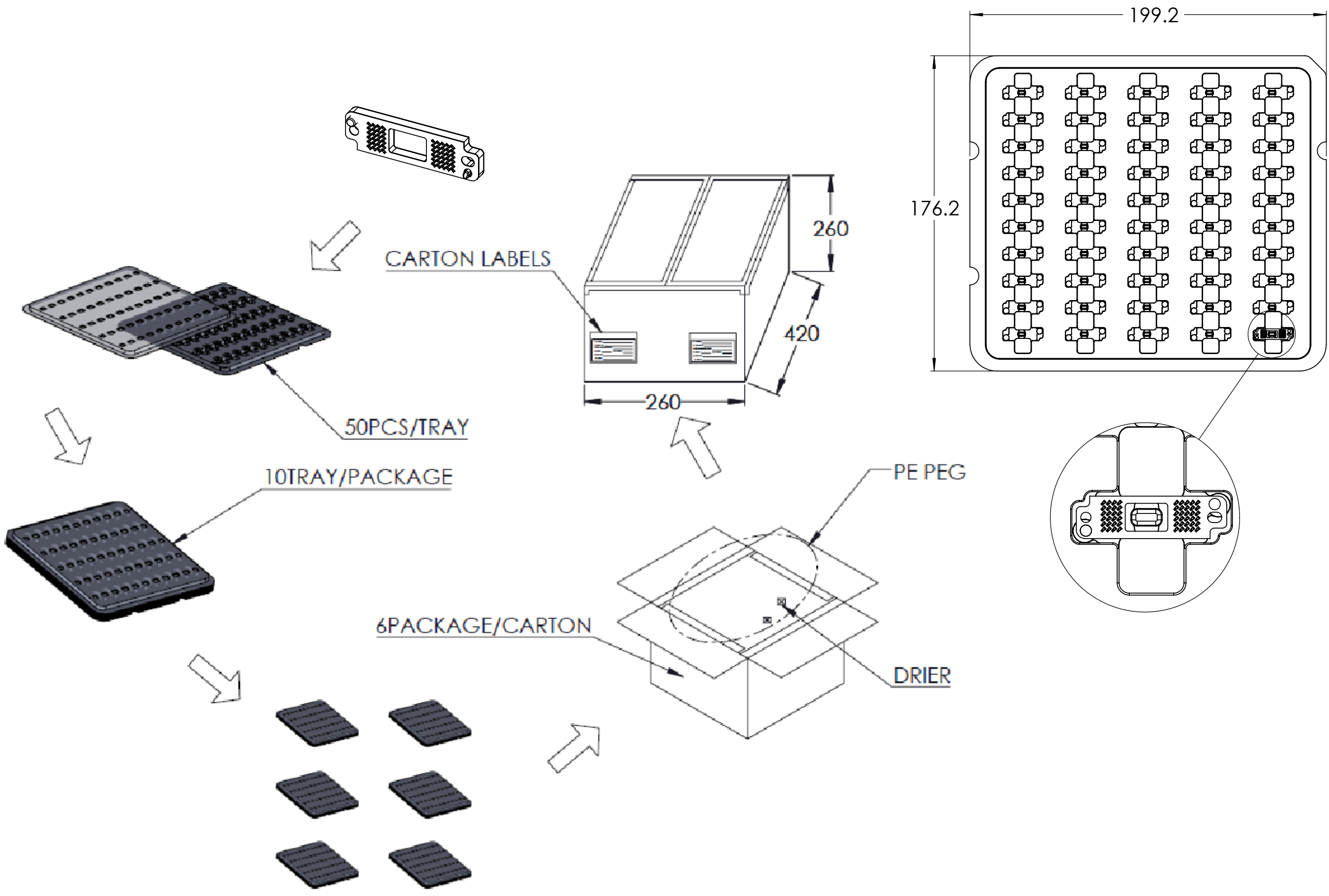


NOTES( UNLESS OTHERWISE SPECIFIED):

- 1.PADS TO BE ELECTROLESS NICKEL/IMMERSION GOLD (ENIG) PLATED
- 2.VIAS IN PAD AREAS MUST BE FILLED
- 3.INTERPOSER OUTLINE; NO COMPONENTS ALLOWED WITHIN THIS AREA
- 4.ALLOWED COMPONENT AREA; MAXIMUM COMPONENT HEIGHT 1.3 mm
- 5.IF SOLDERMASK IS APPLIED IN THE ARRAY AREA. IT SHALL NOT PROTRUDE ABOVE THE PLANE OF THE CONTACT PAD SURFACE

<p>715 N. PASTORIA AVE. SUNNYVALE, CA 94085 TEL: 408-530-9393 FAX: 408-530-9372</p>	<p>DIMENSIONS ARE IN MM [INCH]</p> <p>.X ± 0.13 [.005] .XX ± 0.08 [.003] .XXX ± 0.025 [.001]</p> <p>ANGLE: NO DEC ± 1° .X ± 0.5° .XX ± 0.25°</p>		<p>MATERIAL: FINISH: Gold</p>		<p>TITLE: RECOMMEND PCB FOOTPRINT</p>	
	<p>DRAWN BY: Jianyuzhang 10/28/2019</p>		<p>CHECKED BY: Gary Hsieh 10/28/2019</p>		<p>SIZE: B+</p>	
	<p>ENGR APPR: Gary Hsieh 10/28/2019</p>		<p>MFG APPR:</p>		<p>DWG NUMBER: BDX0054CMMF4AU00</p>	
	<p>QA APPR:</p>		<p>THIRD ANGLE</p>		<p>REV: 6</p>	
<p>SCALE: 7:1</p>				<p>SHEET 2 OF 3</p>		

- PROPRIETARY INFORMATION -  
NO USE OR REPRODUCTION MAY BE MADE OF  
THIS DOCUMENT WITHOUT EXPRESS WRITTEN  
PERMISSION OF NEOCONIX.



NOTE( UNLESS OTHERWISH SPECIFIED):  
 1.COMPONENT LOAD PER TRAY : 50PCS  
 10 TRAY/PACKAGE:500PCS  
 6PACKAGE/CARTON: 420mm X 260mm X 260mm.  
 TOTAL: 3000PCS/CARTON  
 2.MATERIAL:TRANSPARENT POLYSTYRENE(PS).

 715 N. PASTORIA AVE. SUNNYVALE, CA 94085 TEL: 408-530-9393 FAX: 408-530-9372	DIMENSIONS ARE IN MM [INCH]		MATERIAL:		TITLE:	
	.X ± 0.13 [.005]	.XX ± 0.08 [.003]	FINISH: Gold	RECOMMEND PCB FOOTPRINT		
	.XXX ± 0.025 [.001]	ANGLE: NO DEC ± 1°	DRAWN BY: Jianyuzhang 10/28/2019	CHECKED BY: Gary Hsieh 10/28/2019	SIZE: B+	DWG NUMBER: BDX0054CMMF4AU00
	.X ± 0.5*	.XX ± 0.25*	ENGR APPR: Gary Hsieh 10/28/2019	MFG APPR:	QA APPR:	REV: 6
 THIRD ANGLE			SCALE: 7:1		SHEET 3 OF 3	