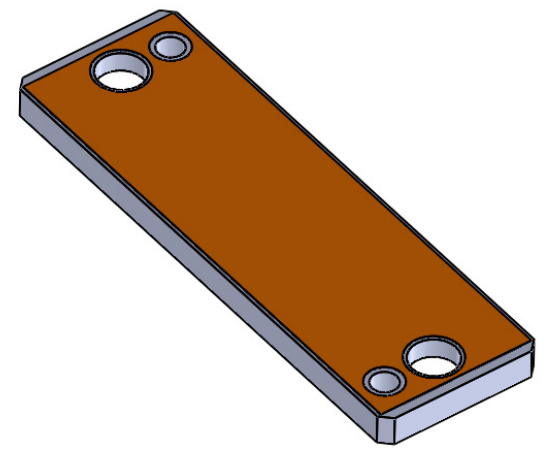
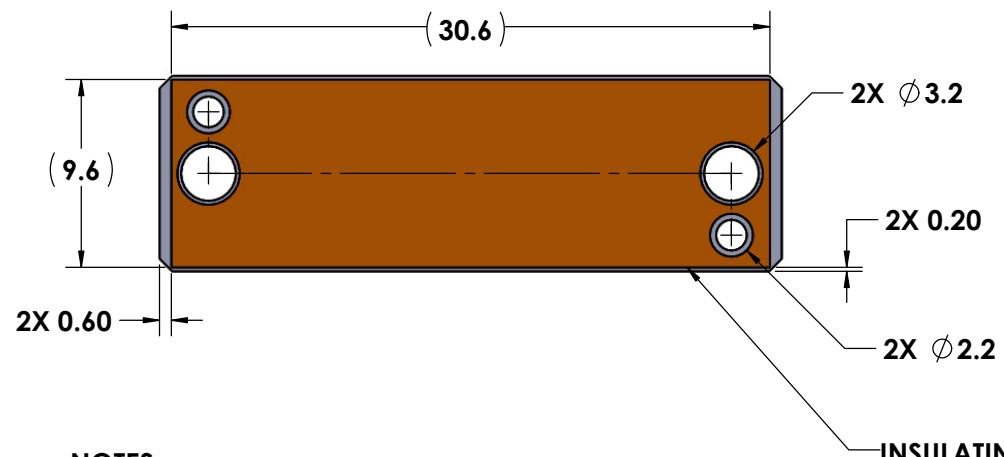
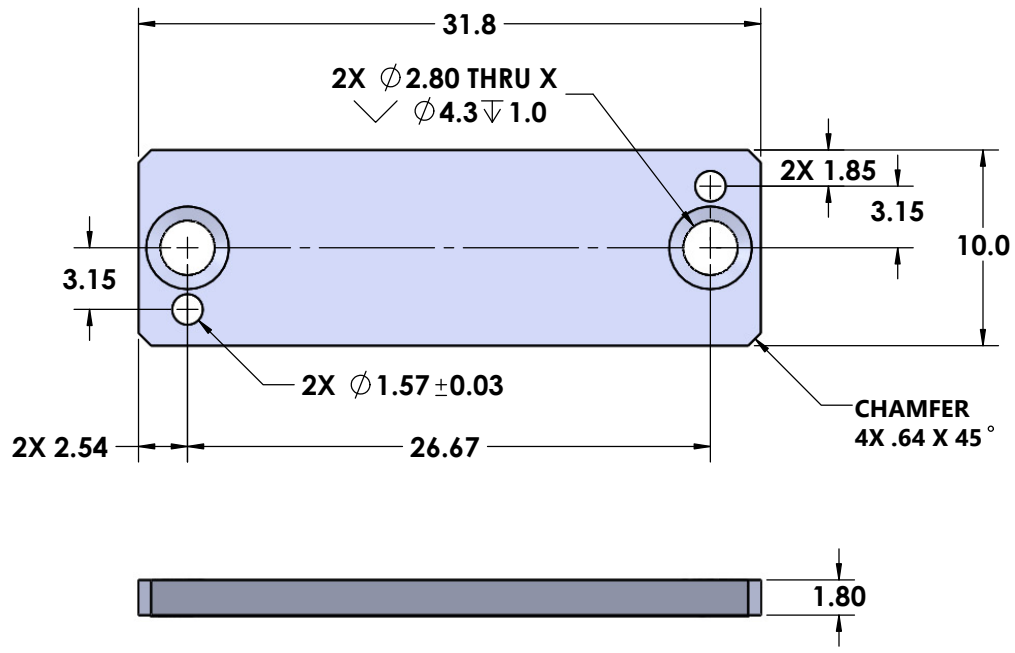


- PROPRIETARY INFORMATION -
NO USE OR REPRODUCTION MAY BE MADE OF
THIS DOCUMENT WITHOUT EXPRESS WRITTEN
PERMISSION OF NEOCONIX.

REVISIONS				
REV	ECN	DESCRIPTION	DATE	DESIGN BY:
1	0000	INITIAL RELEASE	09-12-2023	TAN



NOTES:

1. MATERIAL SS304 OR SS316
2. COMPLIANT WITH RoHS DIRECTIVE 2011/65/EU.
3. DEBURR ALL EDGES.
4. INSULATING TAPE TESA8853 OR EQUIVALENT.

INSULATING TAPE 0.05 THK
SEE NOTE 4

<p>4020 MOORPARK AVENUE #108 SAN JOSE, CA 95117 USA TEL: 408-530-9393 FAX: 408-530-9383</p>	<p>DIMENSIONS ARE IN MM</p> <p>.X ±0.13 .XX ±0.08 .XXX ±0.025</p> <p>ANGLE: NO DEC ±2 DEGREE</p> <p>.X ± .XX ±</p> <p>THIRD ANGLE</p>	<p>MATERIAL: SEE NOTES</p>		<p>TITLE: SPH3 UPPER BACKER + SMALL FF</p>	
		<p>FINISH:</p> <p>DRAWN BY: TAN NGUYEN 09-12-2023</p> <p>CHECKED BY:</p> <p>ENGR APPR:</p> <p>MFG APPR:</p> <p>QA APPR:</p>	<p>SIZE: B+</p> <p>DWG NUMBER: B01-000846</p> <p>SCALE: 4:1</p>	<p>REV: 1</p> <p>SHEET 1 OF 1</p>	