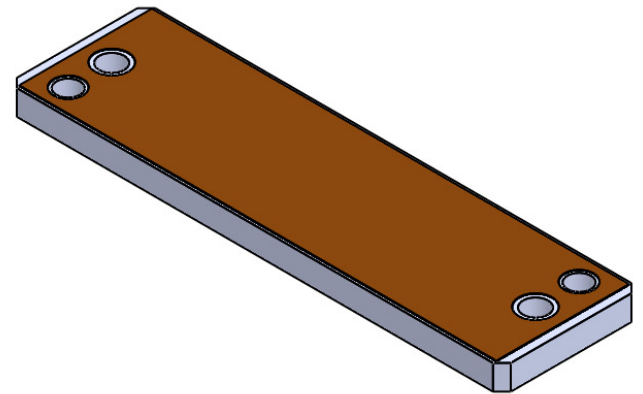
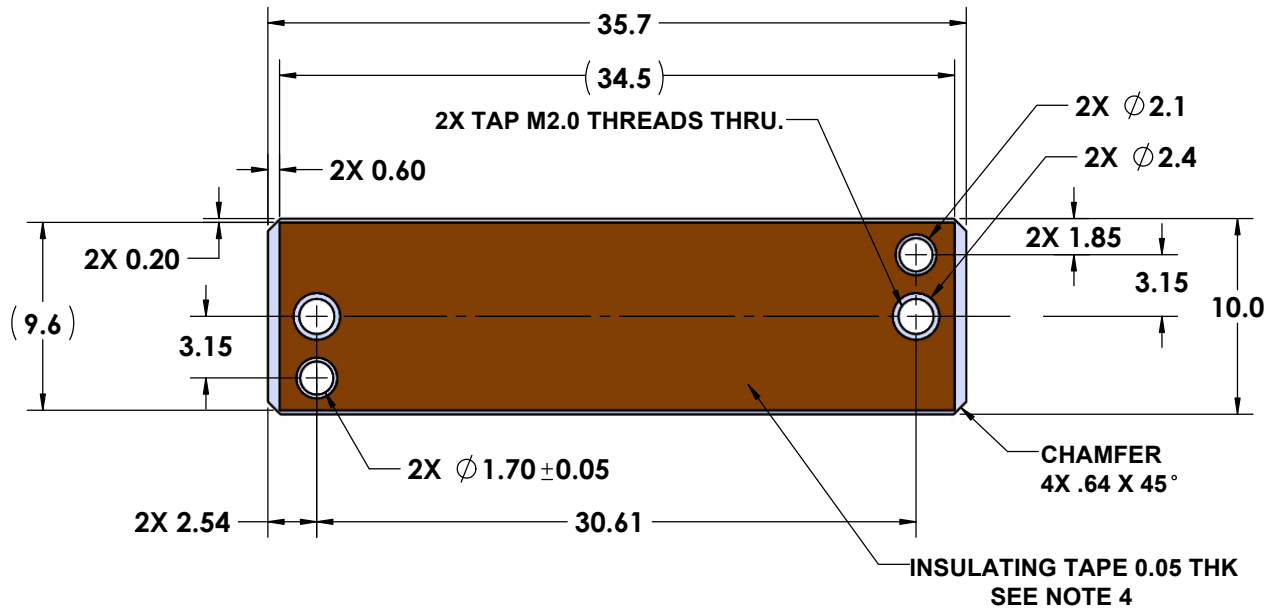


- PROPRIETARY INFORMATION -  
NO USE OR REPRODUCTION MAY BE MADE OF  
THIS DOCUMENT WITHOUT EXPRESS WRITTEN  
PERMISSION OF NEOCONIX.

REVISIONS				
REV	ECN	DESCRIPTION	DATE	DESIGN BY:
1	0000	INITIAL RELEASE	09-12-2023	TAN



**NOTES:**

1. MATERIAL SS304 OR SS316
2. COMPLIANT WITH RoHS DIRECTIVE 2011/65/EU.
3. DEBURR ALL EDGES.
4. INSULATING TAPE TESA8853 OR EQUIVALENT.

<p><b>necconix™</b> 4020 MOORPARK AVENUE #108 SAN JOSE, CA 95117 USA TEL: 408-530-9393 FAX: 408-530-9383</p>	DIMENSIONS ARE IN MM	MATERIAL: SEE NOTES	TITLE: <b>SPH3 LOWER BACKER + MED FF</b>
	.X ±0.13 .XX ±0.08 .XXX ±0.025	FINISH: <input type="checkbox"/>	SIZE: <b>B+</b>
	ANGLE: NO DEC ±2 DEGREE	DRAWN BY: TAN NGUYEN 09-12-2023	DWG NUMBER: <b>B01-000845</b>
	.X ± .XX ±	CHECKED BY:	REV: <b>1</b>
	ENGR APPR:	MFG APPR:	SCALE: 4:1 SHEET 1 OF 1
	QA APPR:		