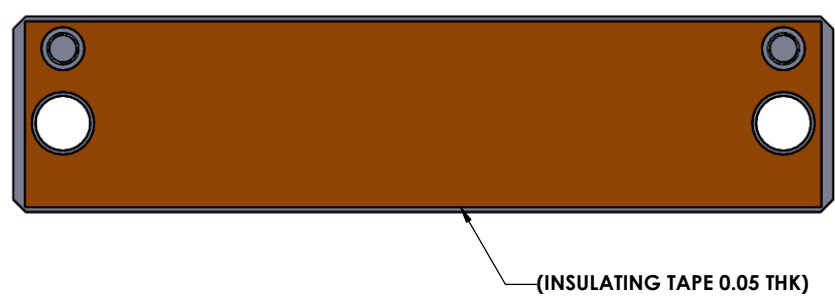
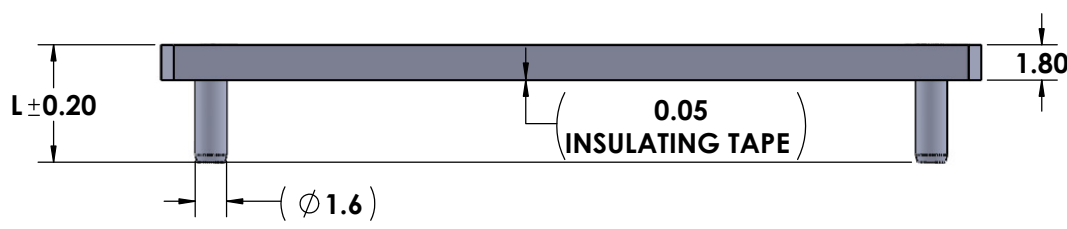
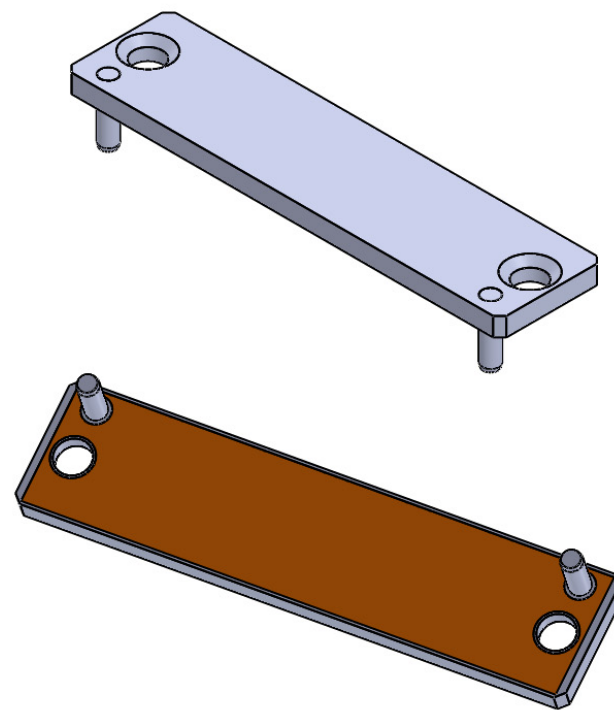
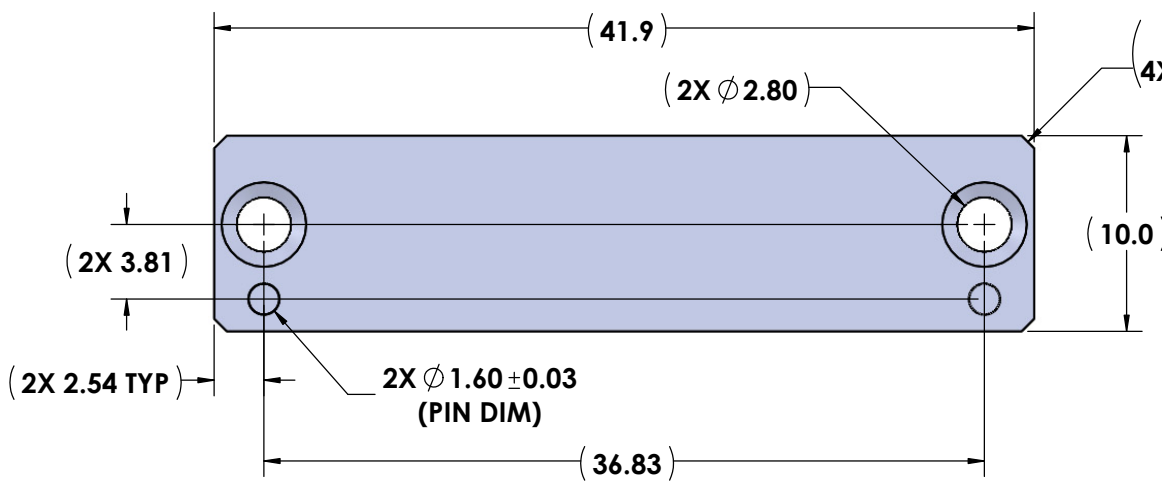


- PROPRIETARY INFORMATION -  
NO USE OR REPRODUCTION MAY BE MADE OF  
THIS DOCUMENT WITHOUT EXPRESS WRITTEN  
PERMISSION OF NEOCONIX.

REVISIONS				
REV	ECN	DESCRIPTION	DATE	DESIGN BY:
1	0000	INITIAL RELEASE	03-01-2023	TAN



1. MATERIAL SS304 OR SS316
2. COMPLIANT WITH RoHS DIRECTIVE 2011/65/EU.
3. DEBURR ALL EDGES.
4. INSULATING TAPE TESA8853 OR EQUIVALENT.

L	PART NO
6 MM	B01-000841-L060
7 MM	B01-000841-L070
8 MM	B01-000841-L080
9 MM	B01-000841-L090
10 MM	B01-000841-L100
11 MM	B01-000841-L110
12 MM	B01-000841-L120

<p>4020 MOORPARK AVENUE #108 SAN JOSE, CA 95117 USA TEL: 408-530-9393 FAX: 408-530-9383</p>	DIMENSIONS ARE IN MM .X ±0.13 .XX ±0.08 .XXX ±0.025 ANGLE: NO DEC ±2 DEGREE .X ± .XX ±	MATERIAL: SEE NOTES FINISH:	TITLE: <b>SPH2 UPPER BACKER + PINS LARGE FF</b>	
	DRAWN BY: TAN NGUYEN CHECKED BY:	03-01-2023	SIZE: B+	DWG NUMBER: <b>B01-000841</b>
	ENGR APPR: MFG APPR: QA APPR:	REV: 1	SCALE: 4:1	SHEET 1 OF 1
	THIRD ANGLE	REV: 1	SCALE: 4:1	SHEET 1 OF 1