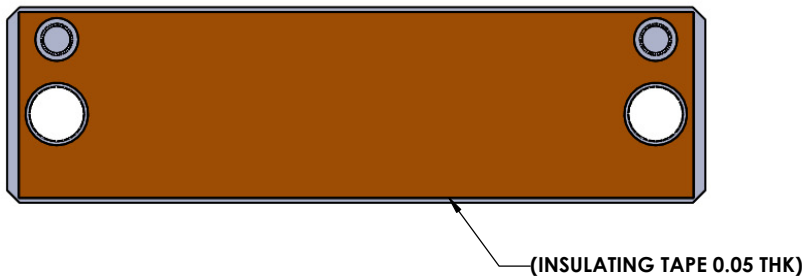
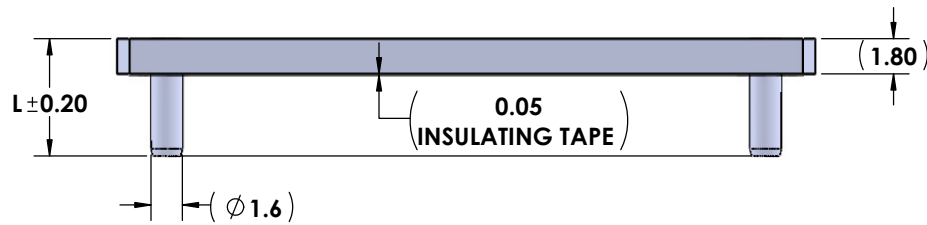
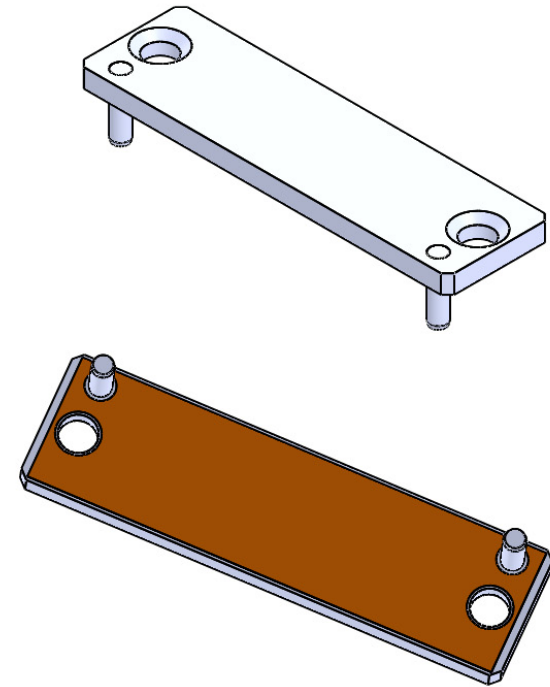
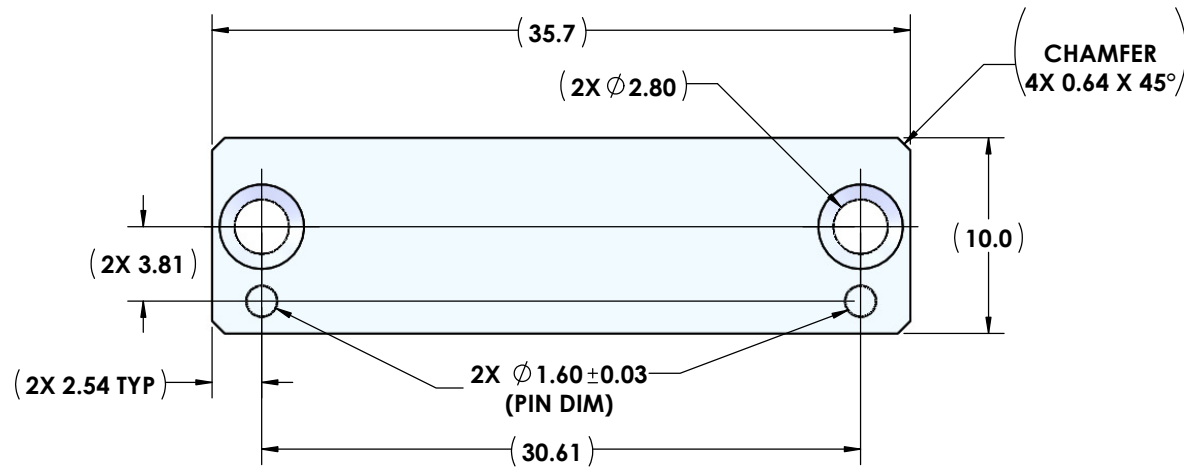


- PROPRIETARY INFORMATION -
NO USE OR REPRODUCTION MAY BE MADE OF
THIS DOCUMENT WITHOUT EXPRESS WRITTEN
PERMISSION OF NEOCONIX.

REVISIONS				
REV	ECN	DESCRIPTION	DATE	DESIGN BY:
01	0000	INITIAL RELEASE	03-01-2023	TAN



L	PART NO
6 MM	B01-000840-L060
7 MM	B01-000840-L070
8 MM	B01-000840-L080
9 MM	B01-000840-L090
10 MM	B01-000840-L100
11 MM	B01-000840-L110
12 MM	B01-000840-L120

1. MATERIAL SS304 OR SS316.
2. COMPLIANT WITH RoHS DIRECTIVE 2011/65/EU.
3. DEBURR ALL EDGES.
4. MADE FROM B01-000837.

<p>4020 MOORPARK AVENUE #108 SAN JOSE, CA 95117 USA TEL: 408-530-9393 FAX: 408-530-9383</p>	DIMENSIONS ARE IN MM .X ±0.13 .XX ±0.08 .XXX ±0.025 ANGLE: NO DEC ± 2 DEGREE .X ± .XX ±	MATERIAL: SEE NOTES FINISH: DRAWN BY: TAN NGUYEN 03-01-2023 CHECKED BY: ENGR APPR: MFG APPR: QA APPR:	TITLE: SPH2 UPPER BACKER + PINS MED FF DWG NUMBER: B01-000840 SCALE: 4:1
	THIRD ANGLE	SIZE: B+	REV: 1 SHEET 1 OF 1