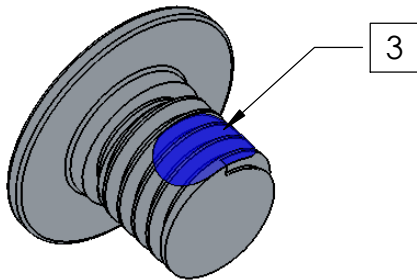
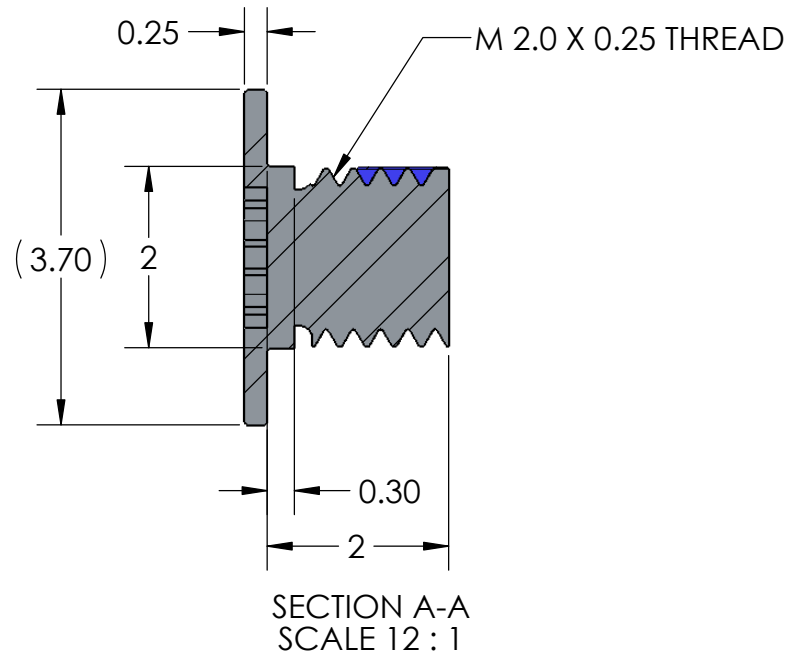
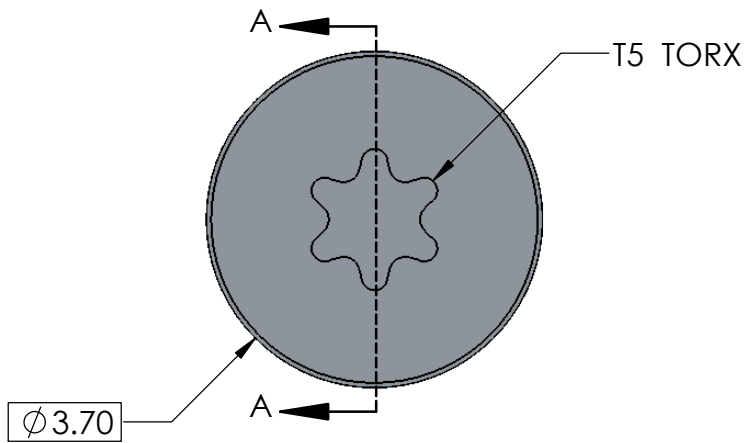



REVISIONS				
REV	ECN #	DESCRIPTION	DATE	DRAWN BY:
1	0000	PRE-RELEASE	10/29/2015	TAN
2	0000	CHANGE TO T5 TORX HEAD DRIVER	11/05/2015	TAN



NOTES:

1. MATERIAL: AISI 1018.
2. FINISH: BRIGHT NICKEL PER ASTM B689-97, TYPE 2, CLASS S
3. THREADLOCK: NYLOK-BLUE, FIRST 2-3 WHOLE THREADS, 75° - 150° COVERAGE.
4. SCREW FIT TOLERANCE DOES NOT INCLUDE THREADLOCK.
5. PART TO BE FREE OF BURRS AND SHARP EDGES.

DIMENSIONS ARE IN mm TOLERANCES (unless otherwise specified):		NAME	DATE	 2355-C PARAGON DRIVE. SAN JOSE, CA 95131 TEL: 408-530-9393 FAX: 408-530-9383	
ANGULAR: ± 2 degree LINEAR: .X ±0.13 .XX ±0.08 .XXX ±0.025		DRAWN	Tan Nguyen		10/29/2015
MATERIAL AISI1018		CHECKED			
FINISH		Appr			
		Release level			
		COMMENTS:	Title: Screw, M2.0x.25Pitch x2mm lg		
		DO NOT SCALE DRAWING	projection	DWG. NO. B01-000662	
			SIZE A	REV 2	
			SCALE:5:1	WEIGHT:	
				SHEET 1 OF 1	