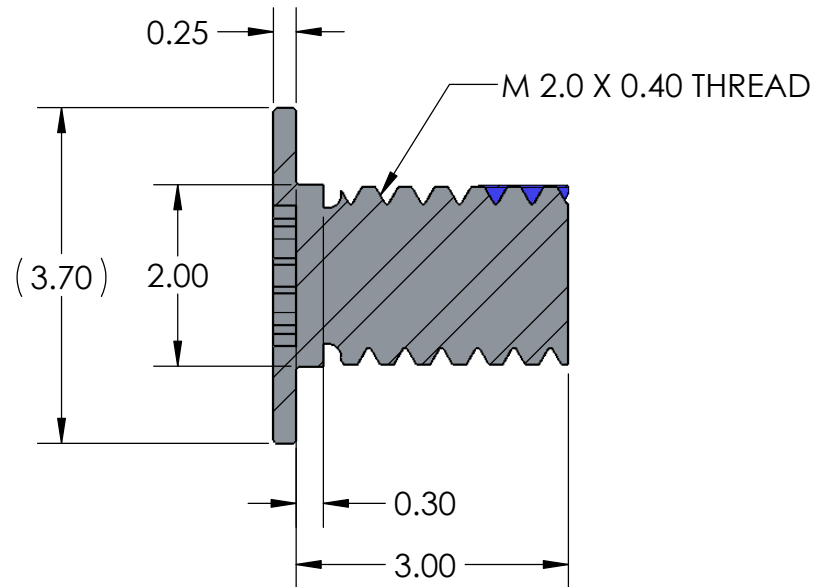
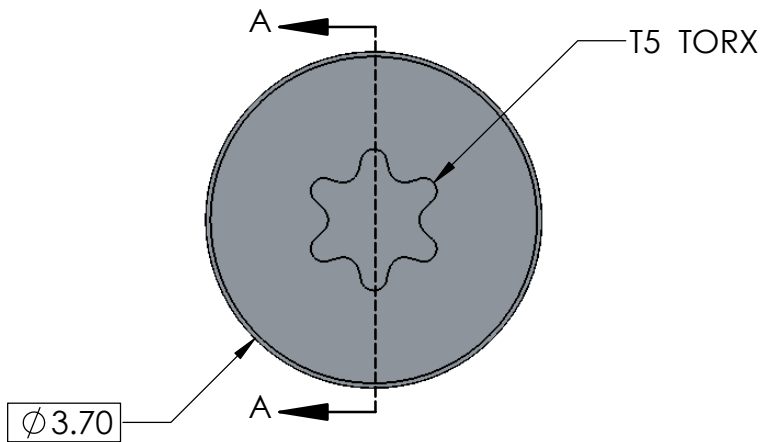
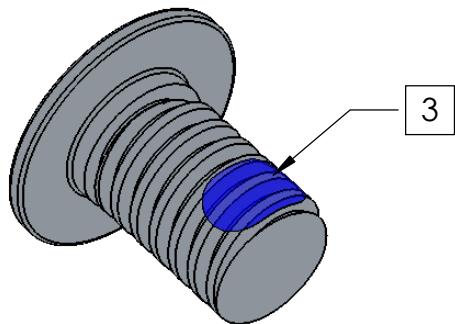


REVISIONS				
REV	ECN #	DESCRIPTION	DATE	DRAWN BY:
1	0000	PRE-RELEASE	10/29/2015	TAN
2	0000	CHANGE TO T5 TORX HEAD DRIVER	11/05/2015	TAN



SECTION A-A
SCALE 12 : 1



NOTES:

1. MATERIAL: AISI 1018.
2. FINISH: BRIGHT NICKEL PER ASTM B689-97, TYPE 2, CLASS S
3. THREADLOCK: NYLOK-BLUE, FIRST 2-3 WHOLE THREADS, 75° - 150° COVERAGE.
4. SCREW FIT TOLERANCE DOES NOT INCLUDE THREADLOCK.
5. PART TO BE FREE OF BURRS AND SHARP EDGES.

DIMENSIONS ARE IN mm TOLERANCES (unless otherwise specified): ANGULAR: ± 2 degree LINEAR: .X ± 0.13 .XX ± 0.08 .XXX ± 0.025		NAME	DATE	2355-C PARAGON DRIVE. SAN JOSE, CA 95131 TEL: 408-530-9393 FAX: 408-530-9383
	DRAWN	Tan Nguyen	10/29/2015	
	CHECKED			
	Appr			Title: Screw, M2.0x.40Pitch x3mm lg
	Release level			
MATERIAL AISI1018	COMMENTS:	projection		DWG. NO. B01-000661
FINISH	DO NOT SCALE DRAWING		SIZE A	REV 2
		SCALE:5:1	WEIGHT:	SHEET 1 OF 1