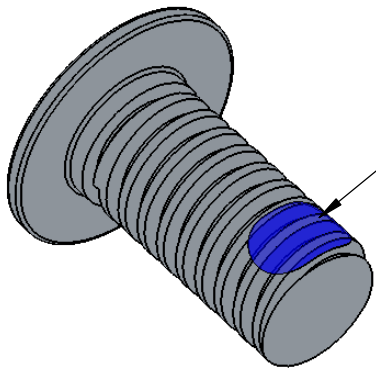
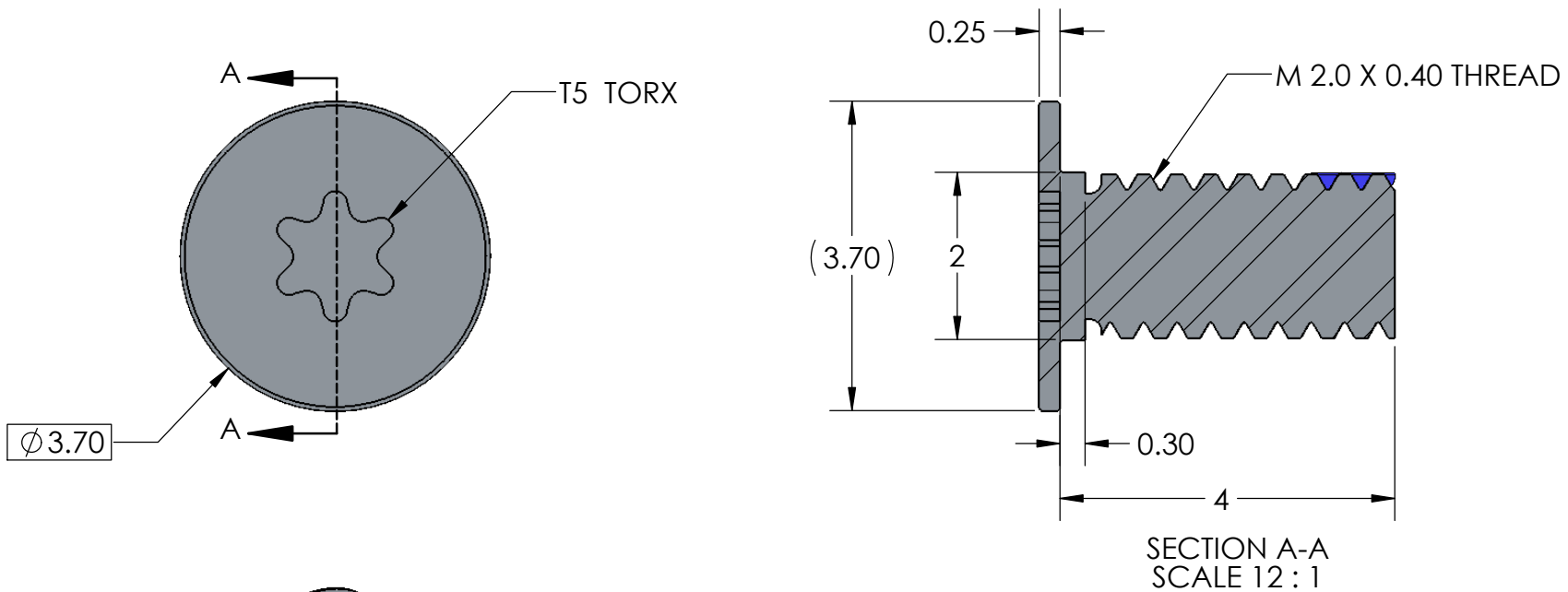


REVISIONS				
REV	ECN#	DESCRIPTION	DATE	DRAWN BY:
1	0000	PRE-RELEASE	10/29/2015	TAN
2	0000	CHANGE TO T5 TORX HEAD DRIVER	11/05/2015	TAN



NOTES:

1. MATERIAL: AISI 1018.
2. FINISH: BRIGHT NICKEL PER ASTM B689-97, TYPE 2, CLASS S
3. THREADLOCK: NYLOK-BLUE, FIRST 2-3 WHOLE THREADS, 75° - 150° COVERAGE.
4. SCREW FIT TOLERANCE DOES NOT INCLUDE THREADLOCK.
5. PART TO BE FREE OF BURRS AND SHARP EDGES.

DIMENSIONS ARE IN mm TOLERANCES (unless otherwise specified): ANGULAR: ± 2 degree LINEAR: .X ±0.13 .XX ±0.08 .XXX ±0.025		NAME Tan Nguyen	DATE 10/29/2015	 2355-C PARAGON DRIVE. SAN JOSE, CA 95131 TEL: 408-530-9393 FAX: 408-530-9383
MATERIAL AIS1018		Title: Screw, M2.0x.40Pitch x4mm lg		
FINISH		COMMENTS: DO NOT SCALE DRAWING	projection SIZE A	DWG. NO. B01-000660
		SCALE:5:1		WEIGHT:
		SHEET 1 OF 1		REV 2