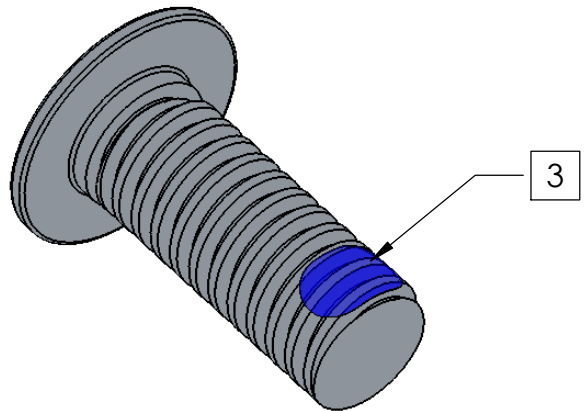
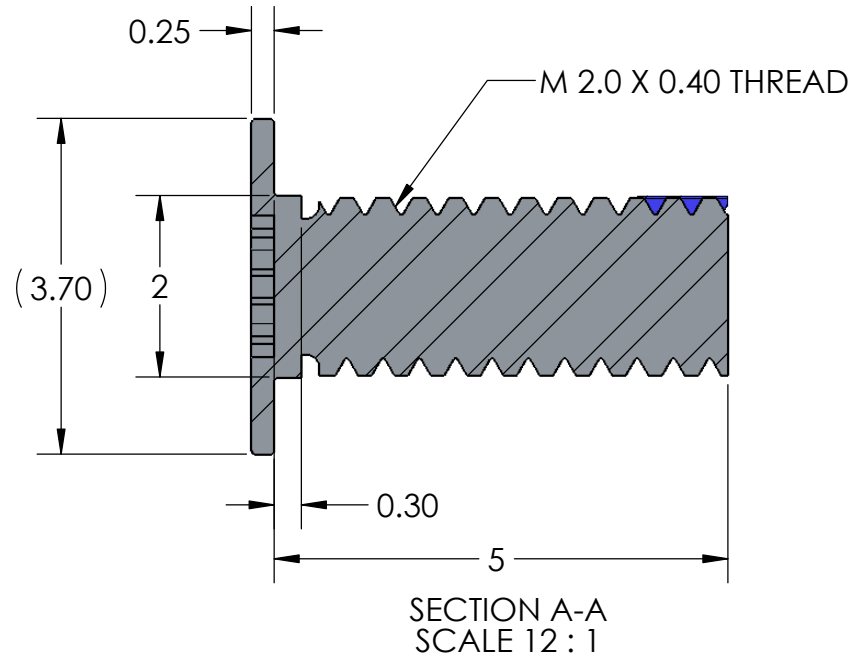
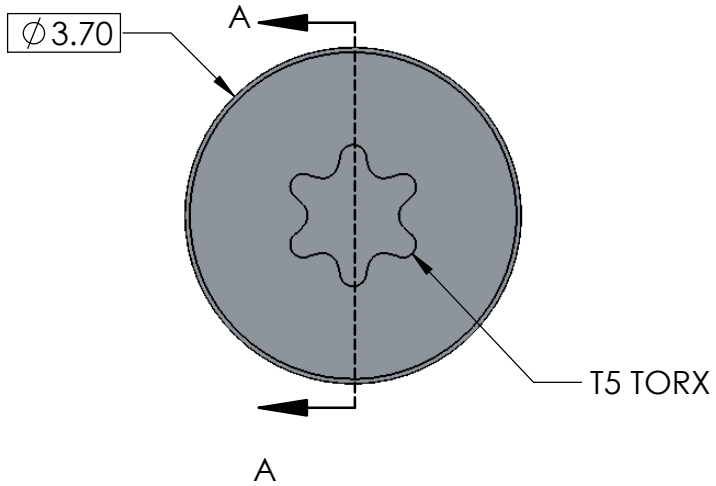


REVISIONS				
REV	ECN #	DESCRIPTION	DATE	DRAWN BY:
1	0000	PRE-RELEASE	10/29/2015	TAN
2	0000	CHANGE TO T5 TORX HEAD DRIVER	11/05/2015	TAN



NOTES:

1. MATERIAL: AISI 1018.
2. FINISH: BRIGHT NICKEL PER ASTM B689-97, TYPE 2, CLASS S
3. THREADLOCK: NYLOK-BLUE, FIRST 2-3 WHOLE THREADS, 75° - 150° COVERAGE.
4. SCREW FIT TOLERANCE DOES NOT INCLUDE THREADLOCK.
5. PART TO BE FREE OF BURRS AND SHARP EDGES.

DIMENSIONS ARE IN mm TOLERANCES (unless otherwise specified):		NAME	DATE	 2355-C PARAGON DRIVE. SAN JOSE, CA 95131 TEL: 408-530-9393 FAX: 408-530-9383
ANGULAR: ± 2 degree		DRAWN	Tan Nguyen	
LINEAR: .X ±0.13		CHECKED		
.XX ±0.08		Appr		
.XXX ±0.025		Release level		Title: Screw, M2.0x.40Pitch x 5mm lg
MATERIAL	AISI1018	COMMENTS:	projection	DWG. NO.
FINISH		DO NOT SCALE DRAWING		B01-000659
			SIZE	REV
			A	2
			SCALE:5:1	WEIGHT:
				SHEET 1 OF 1