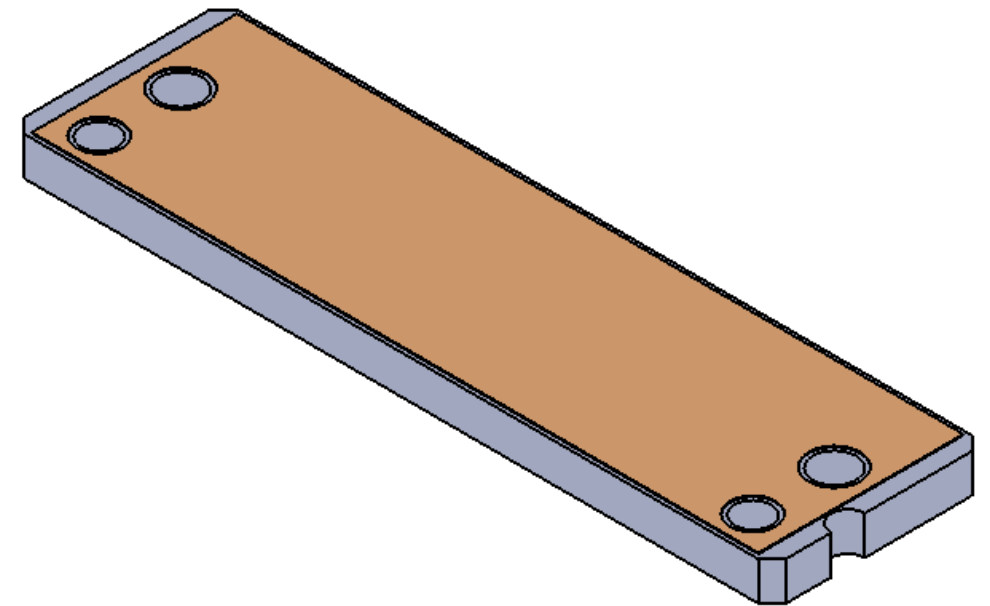
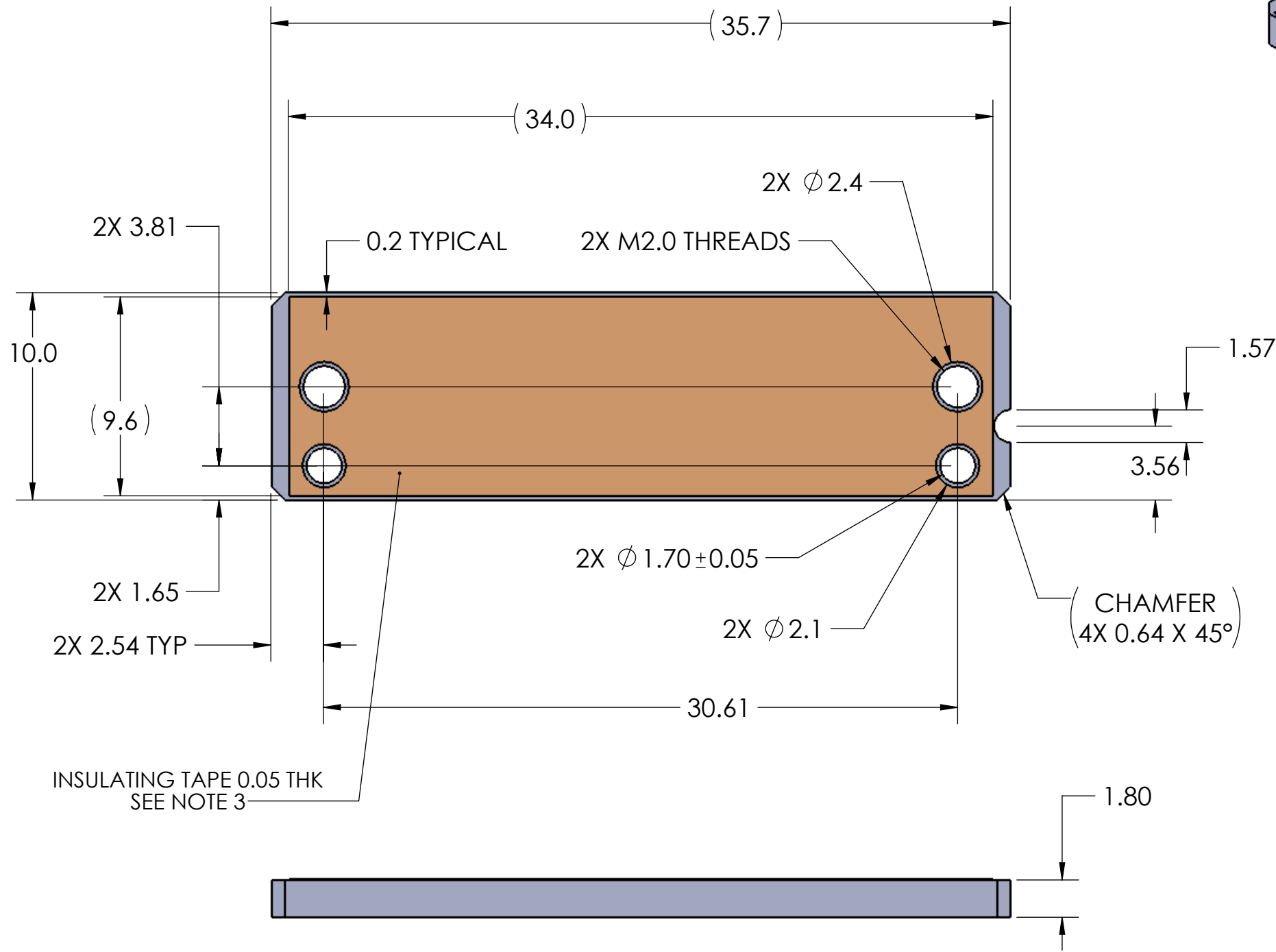


- PROPRIETARY INFORMATION -
NO USE OR REPRODUCTION MAY BE MADE OF
THIS DOCUMENT WITHOUT EXPRESS WRITTEN
PERMISSION OF NEOCONIX.

REVISIONS				
REV	ECN	DESCRIPTION	DATE	APPROVED
A	1241	PRODUCTION RELEASE	05-30-2019	WES TAO
B	1252	ADD INSULATING TAPE	08-08-2019	WES TAO
C	1258	UPDATE TOLERANCES	09-16-2019	WES TAO



1. MATERIAL SS304 OR SS316
2. COMPLIANT WITH RoHS DIRECTIVE 2011/65/EU
3. INSULATING TAPE TESA8853 OR EQUIVALENT

neconix
4020 MOORPARK AVENUE #108
SAN JOSE, CA 95117 USA
TEL: 408-530-9393 FAX: 408-530-9383

DIMENSIONS ARE IN MM
.X ± 0.13
.XX ± 0.08
.XXX ± 0.025
ANGLE: NO DEC ± 2 DEGREE
X ±
.XX ±
THIRD ANGLE

MATERIAL: SEE NOTES
FINISH:
DRAWN BY: W.B.LONG 05-30-2019
CHECKED BY:
ENGR APPR:
MFG APPR:
QA APPR:

TITLE: SPH1, SPH2 BOTTOM STIFFENER, SIZE M
DWG NUMBER: B01-000628
SCALE: 4:1
SHEET 1 OF 1