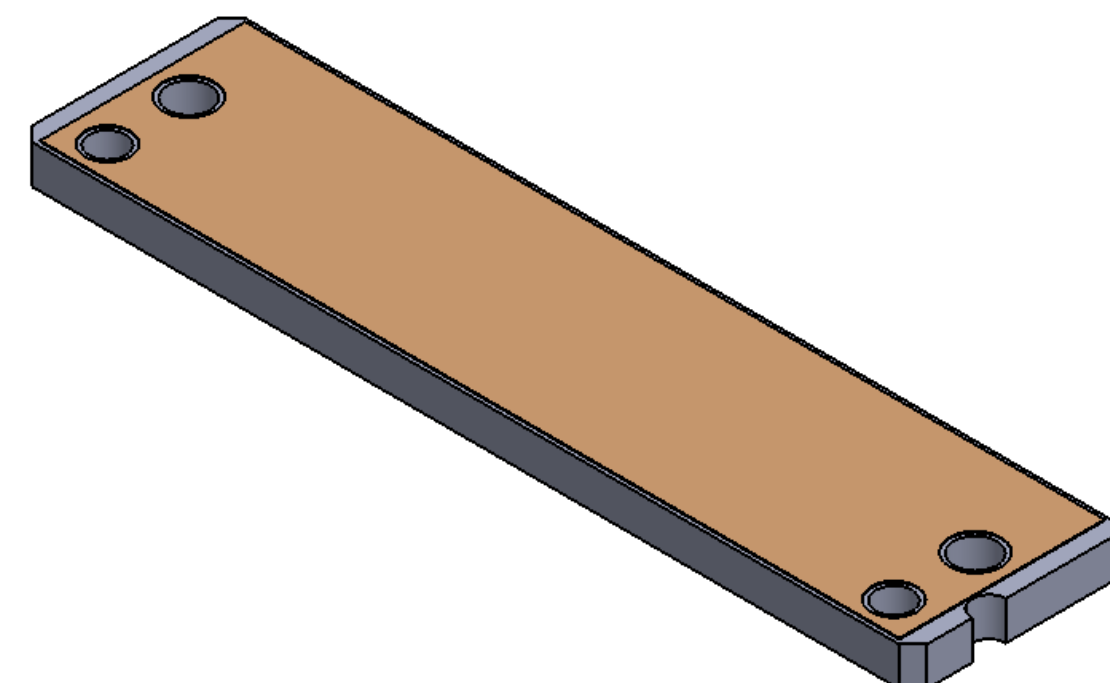
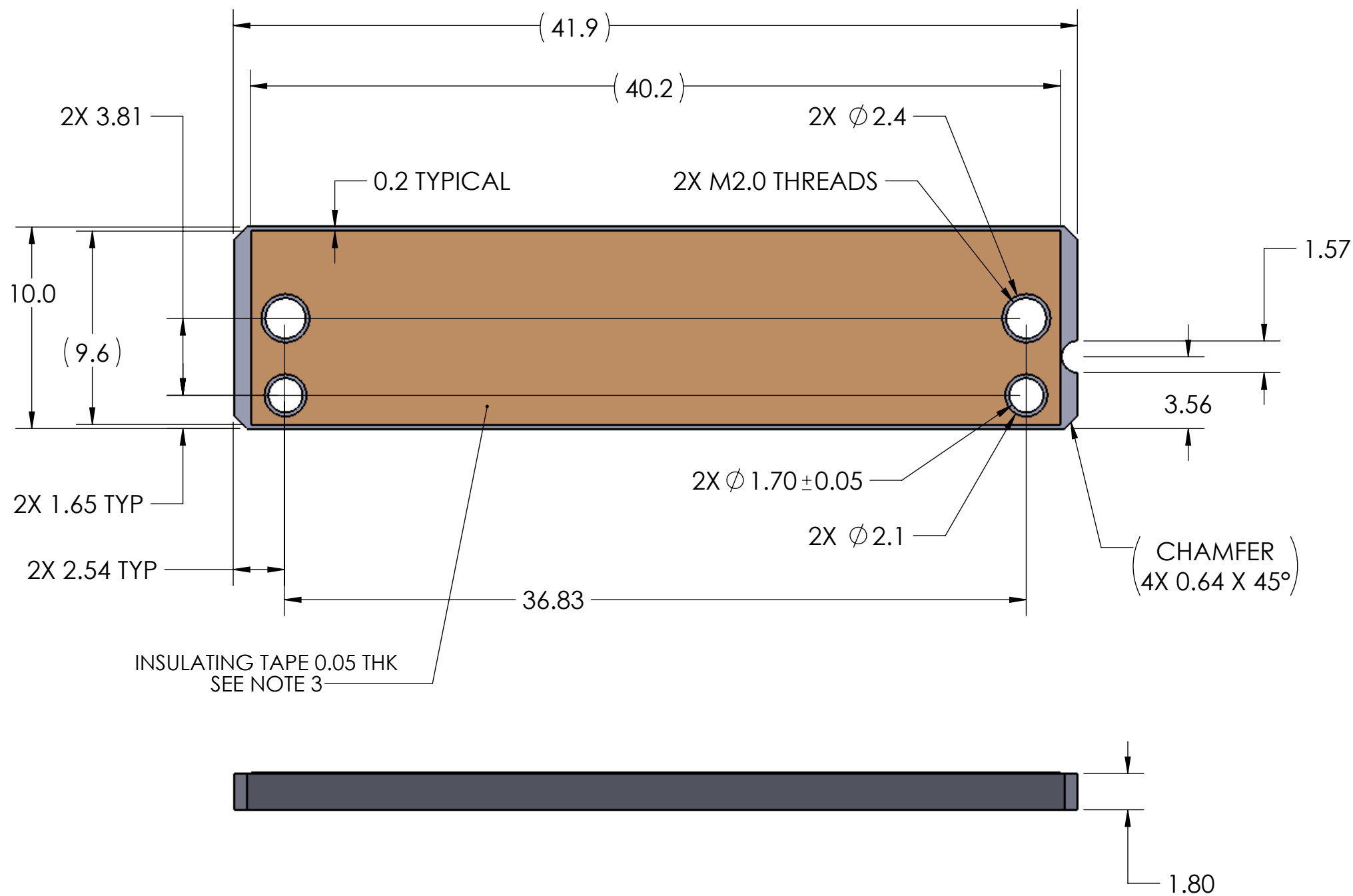


- PROPRIETARY INFORMATION -  
NO USE OR REPRODUCTION MAY BE MADE OF  
THIS DOCUMENT WITHOUT EXPRESS WRITTEN  
PERMISSION OF NEOCONIX.

REVISIONS				
REV	ECN	DESCRIPTION	DATE	APPROVED
A	1241	PRODUCTION RELEASE	05-30-2019	WES TAO
B	1252	ADD INSULATING TAPE	08-08-2019	WES TAO
C	1258	UPDATE TOLERANCES	09-16-2019	WES TAO



1. MATERIAL SS304 OR SS316
2. COMPLIANT WITH RoHS DIRECTIVE 2011/65/EU
3. INSULATING TAPE TESA8853 OR EQUIVALENT

**neconix**  
4020 MOORPARK AVENUE #108  
SAN JOSE, CA 95117 USA  
TEL: 408-530-9393 FAX: 408-530-9383

DIMENSIONS ARE IN MM  
.X ± 0.13  
.XX ± 0.08  
.XXX ± 0.025  
ANGLE: NO DEC ± 2 DEGREE  
X ±  
.XX ±

MATERIAL: SEE NOTES  
FINISH:  
DRAWN BY: W.B.LONG 05-30-2019  
CHECKED BY:  
ENGR APPR:  
MFG APPR:  
QA APPR:

TITLE: SPH1, SPH2 BOTTOM STIFFENER, SIZE L  
DWG NUMBER: B01-000627  
SCALE: 4:1  
SHEET 1 OF 1

