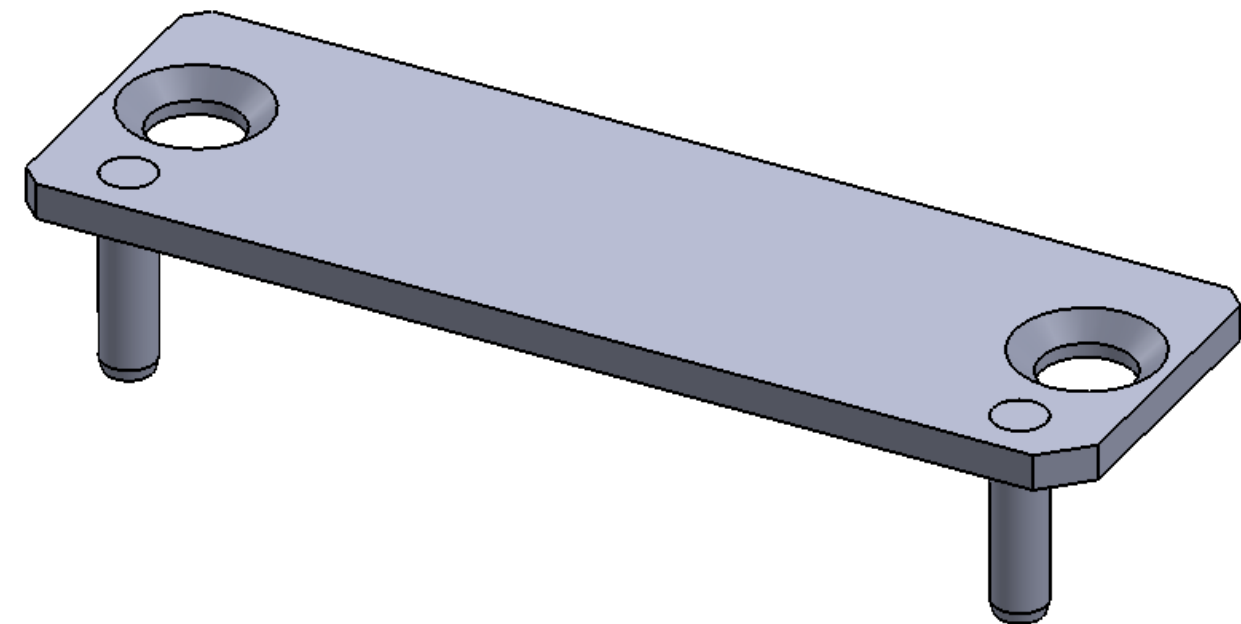
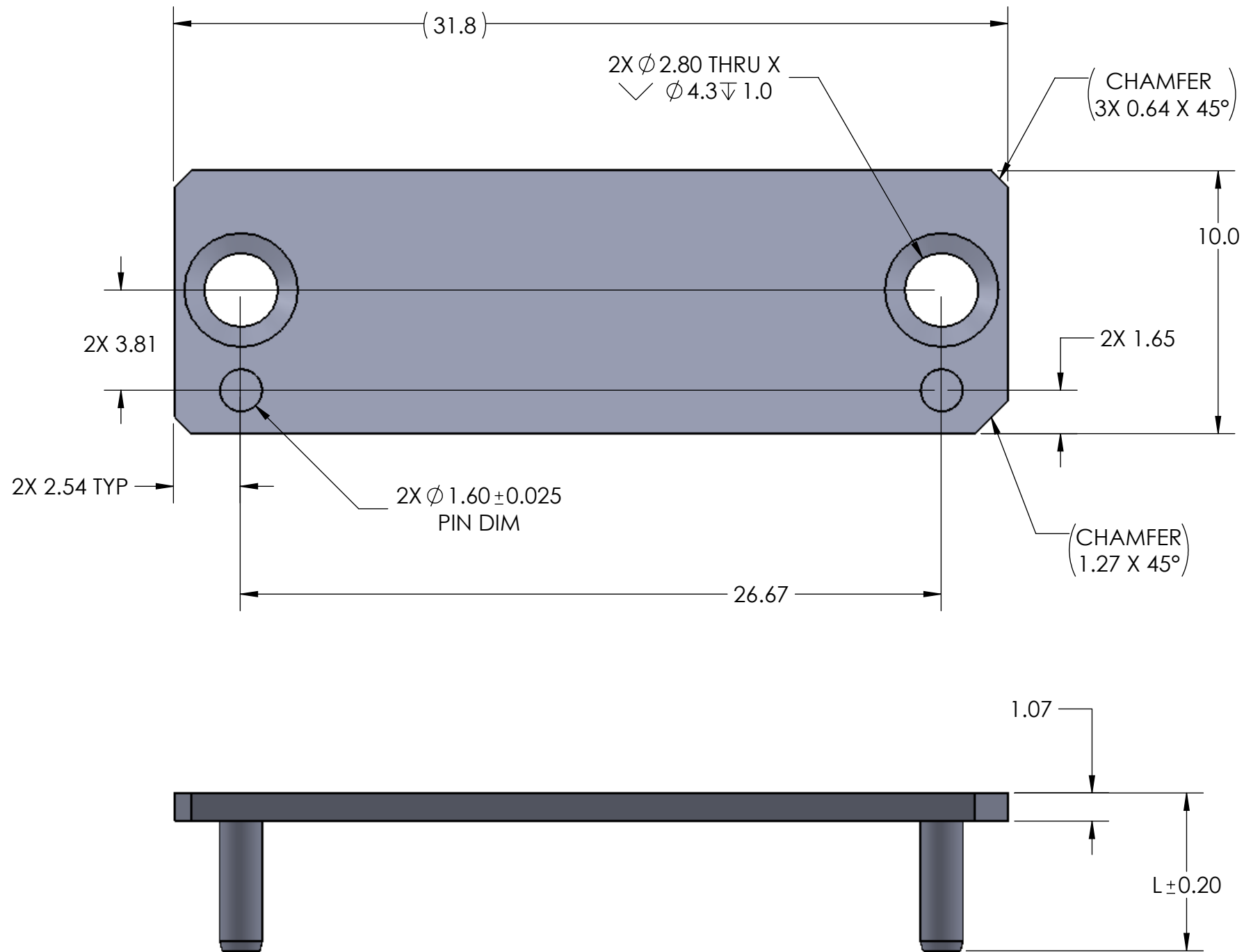


- PROPRIETARY INFORMATION -  
NO USE OR REPRODUCTION MAY BE MADE OF  
THIS DOCUMENT WITHOUT EXPRESS WRITTEN  
PERMISSION OF NEOCONIX.

REVISIONS				
REV	ECN	DESCRIPTION	DATE	APPROVED
A	1241	PRODUCTION RELEASE	05-30-2019	WES TAO
B	1252	MOVED CHAMFER POS 1	08-08-2019	WES TAO
C	1258	UPDATE TOLERANCES	09-16-2019	WES TAO



L	PART NO
5 MM	B01-000625-L050
6 MM	B01-000625-L060
7 MM	B01-000625-L070
8 MM	B01-000625-L080
9 MM	B01-000625-L090
10 MM	B01-000625-L100
11 MM	B01-000625-L110
12 MM	B01-000625-L120

1. MATERIAL SS304 OR SS316
2. COMPLIANT WITH RoHS DIRECTIVE 2011/65/EU

<p>4020 MOORPARK AVENUE #108 SAN JOSE, CA 95117 USA TEL: 408-530-9393 FAX: 408-530-9383</p>	DIMENSIONS ARE IN MM .X ± 0.13 .XX ± 0.08 .XXX ± 0.025 ANGLE: NO DEC ± 2 DEGREE .X ± .XX ±		MATERIAL: SEE NOTES FINISH: DRAWN BY: W.B.LONG 05-30-2019 CHECKED BY: ENGR APPR: MFG APPR: QA APPR:		TITLE: SPH1, SPH2 TOP STIFFENER, SIZE S DWG NUMBER: B01-000625-LXXX REV C	
	THIRD ANGLE		SCALE: 5:1		SHEET 1 OF 1	
			SIZE B+			