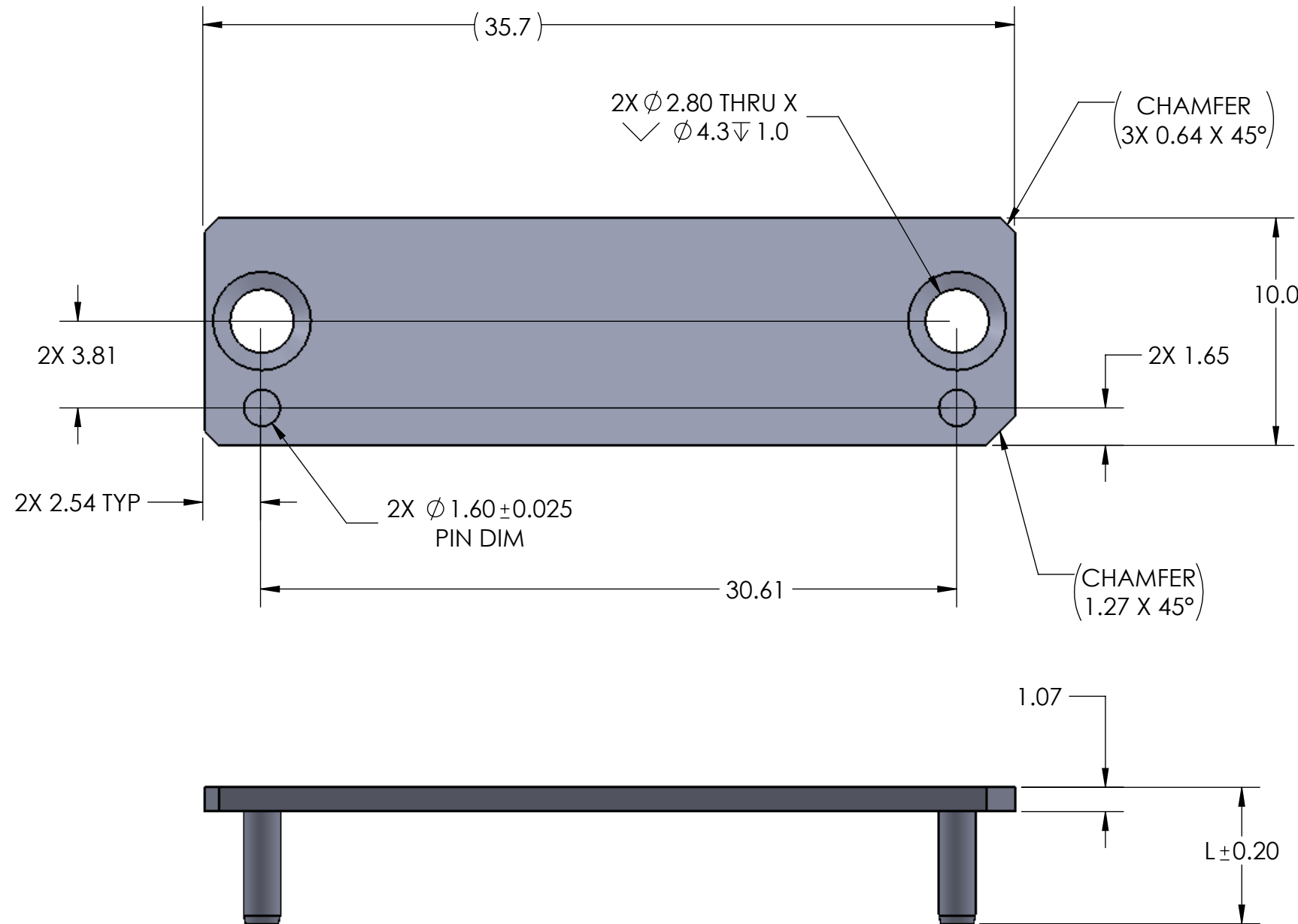
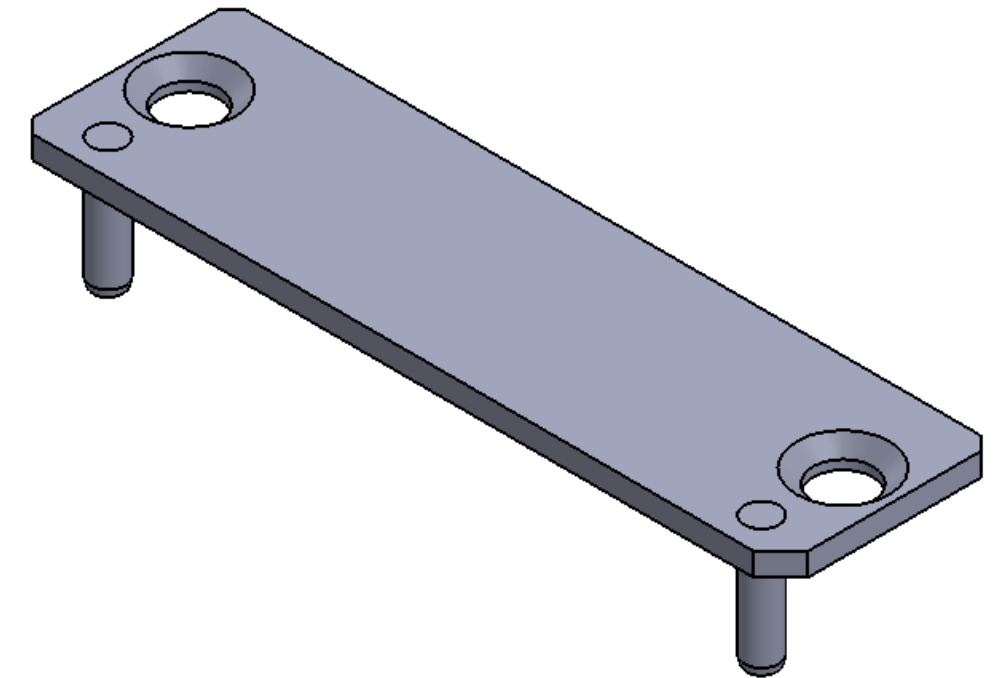


- PROPRIETARY INFORMATION -
NO USE OR REPRODUCTION MAY BE MADE OF
THIS DOCUMENT WITHOUT EXPRESS WRITTEN
PERMISSION OF NEOCONIX.

REVISIONS				
REV	ECN	DESCRIPTION	DATE	APPROVED
A	1241	PRODUCTION RELEASE	05-30-2019	WES TAO
B	1252	MOVED CHAMFER POS 1	08-08-2019	WES TAO
C	1258	UPDATED TOLERANCES	09-16-2019	WES TAO



L	PART NO
5 MM	B01-000624-L050
6 MM	B01-000624-L060
7 MM	B01-000624-L070
8 MM	B01-000624-L080
9 MM	B01-000624-L090
10 MM	B01-000624-L100
11 MM	B01-000624-L110
12 MM	B01-000624-L120

1. MATERIAL SS304 OR SS316
2. COMPLIANT WITH RoHS DIRECTIVE 2011/65/EU

neconix
4020 MOORPARK AVENUE #108
SAN JOSE, CA 95117 USA
TEL: 408-530-9393 FAX: 408-530-9383

DIMENSIONS ARE IN MM
.X ±0.13
.XX ±0.08
.XXX ±0.025
ANGLE: NO DEC ± 2 DEGREE
X ±
.XX ±
THIRD ANGLE

MATERIAL: SEE NOTES
FINISH:
DRAWN BY: W.B.LONG 05-30-2019
CHECKED BY:
ENGR APPR:
MFG APPR:
QA APPR:

TITLE: SPH1, SPH2 TOP STIFFENER, SIZE M
SIZE: B+
DWG NUMBER: B01-000624-LXXX
REV: C
SCALE: 4:1
SHEET 1 OF 1