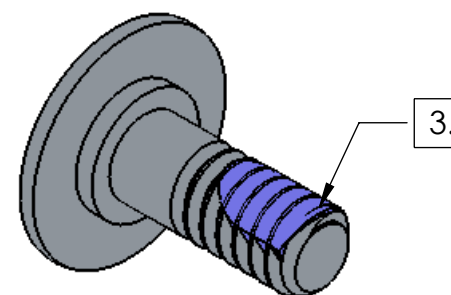
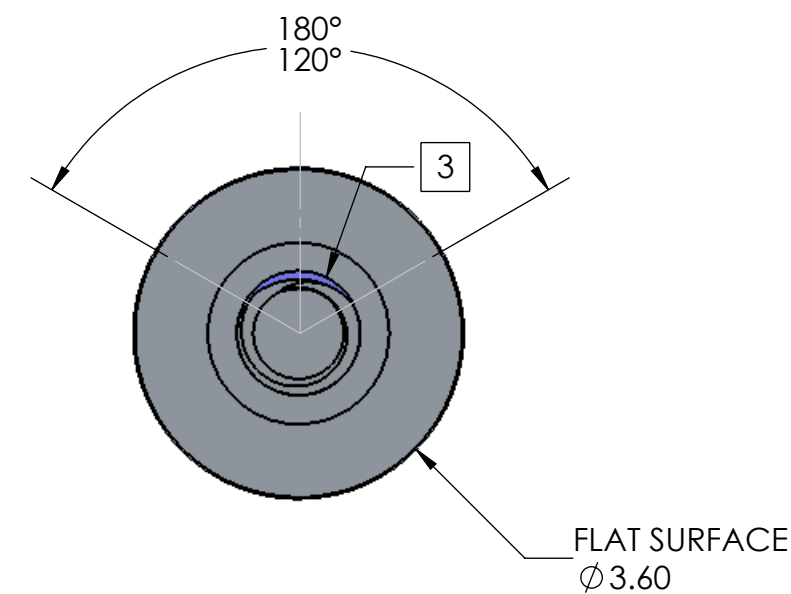
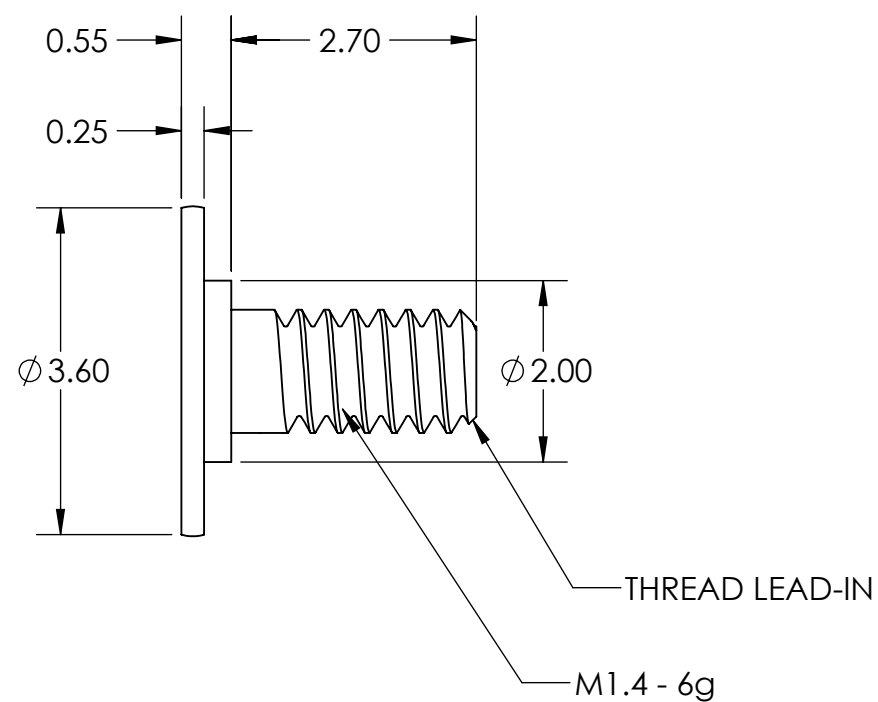
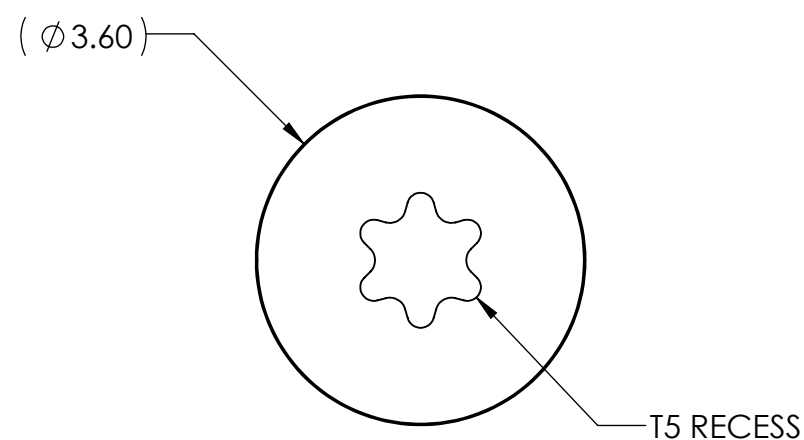


- PROPRIETARY INFORMATION -
NO USE OR REPRODUCTION MAY BE MADE OF
THIS DOCUMENT WITHOUT EXPRESS WRITTEN
PERMISSION OF NEOCONIX.

REVISIONS				
ZONE	REV.	DESCRIPTION	DATE	APPROVED
	1	INITIAL PRODUCTION RELEASE	08-12-2014	TAN



NOTES:

- MATERIAL: AISI 1018
- FINISH: BRIGHT NICKEL PER ASTM B689-97, TYPE 2, CLASS 5
3. THREADLOCK: NYLOK-BLUE, FIRST 4-6 WHOLE THREADS, 120°-180° COVERAGE.
- SCREW FIT TOLERANCE DOES NOT INCLUDE THREADLOCK.
- PART TO BE FREE OF BURRS AND SHARP EDGES.

PART NUMBER: B01-000614

<p>2355-C PARAGON DRIVE. SAN JOSE, CA 95131 TEL: 408-530-9393 FAX: 408-530-9383</p>	<p>DIMENSIONS ARE IN MM [INCH]</p> <p>.X ± 0.20 [.008]</p> <p>.XX ± 0.10 [.004]</p> <p>.XXX ± 0.025 [.001]</p> <p>ANGLE: NO DEC ± 1°</p> <p>.X ± 0.5°</p> <p>.XX ± 0.25°</p>	<p>MATERIAL: SEE NOTES</p> <p>FINISH: SEE NOTES</p> <p>DRAWN BY: TAN NGUYEN 08-12-2014</p> <p>CHECKED BY:</p> <p>ENGR APPR:</p> <p>MFG APPR:</p> <p>QA APPR:</p>	<p>TITLE: SCREW, M1.4 X 3.05mm LG</p> <p>DWG NUMBER: B01-000614</p> <p>REV 1</p> <p>SCALE: 12:1 SHEET 1 OF 1</p>	
	<p>THIRD ANGLE</p>	<p>SIZE B+</p>		