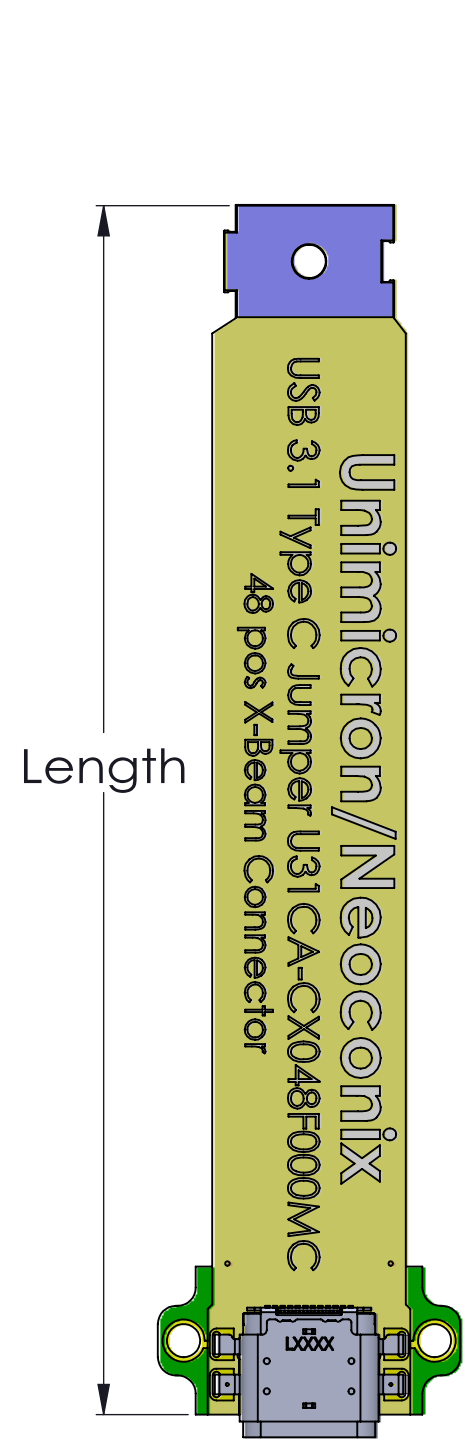
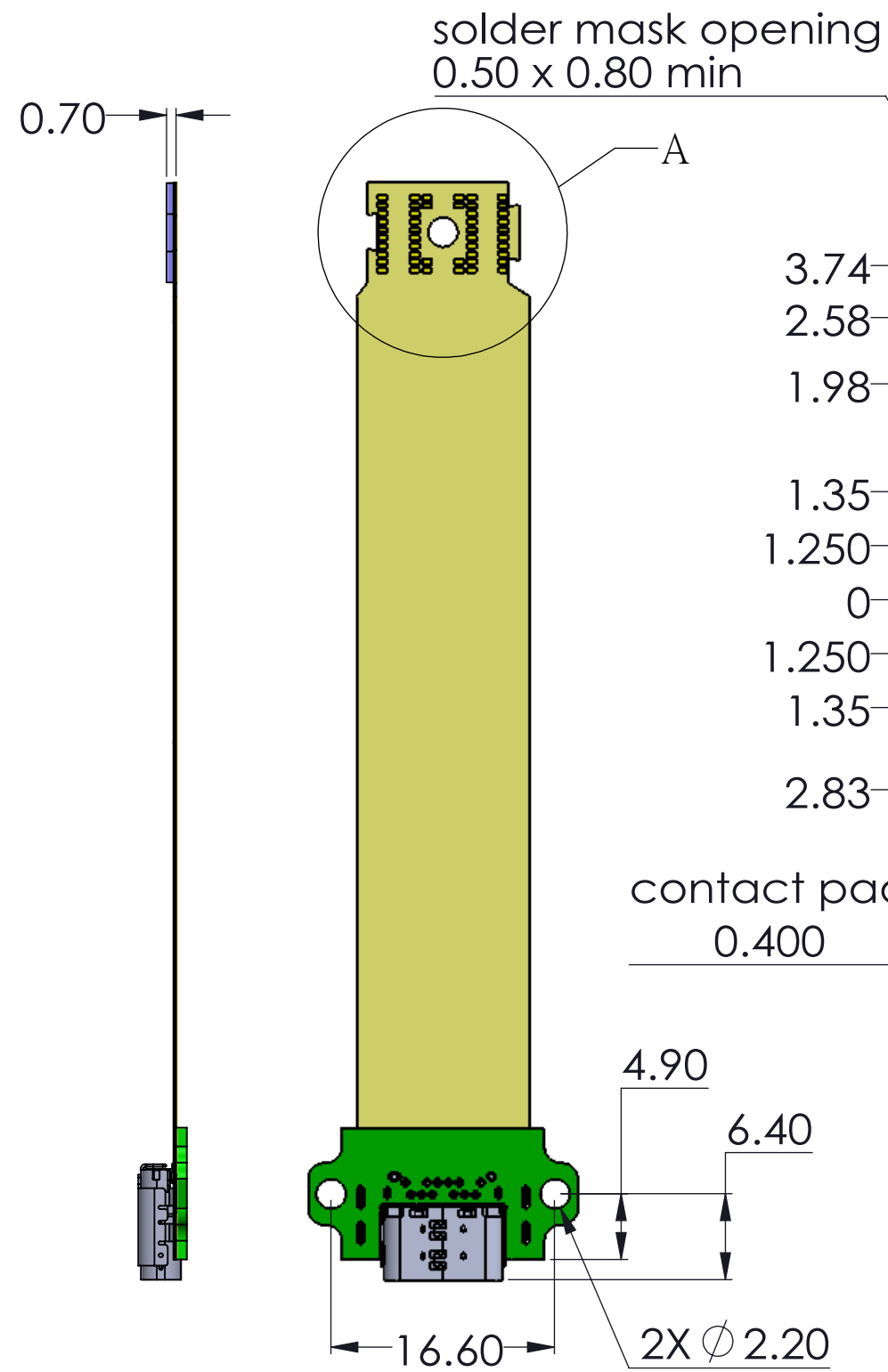


- PROPRIETARY INFORMATION -
NO USE OR REPRODUCTION MAY BE MADE OF
THIS DOCUMENT WITHOUT EXPRESS WRITTEN
PERMISSION OF NEOCONIX.

Revisions			
REV	ECN #	Description	Date
2		Revise FPC & PCB footprint	10/05-2017
3		Optimize FPC pad positions	10/17-2017
4		Change to low post X-Beam connector	10/25-2017

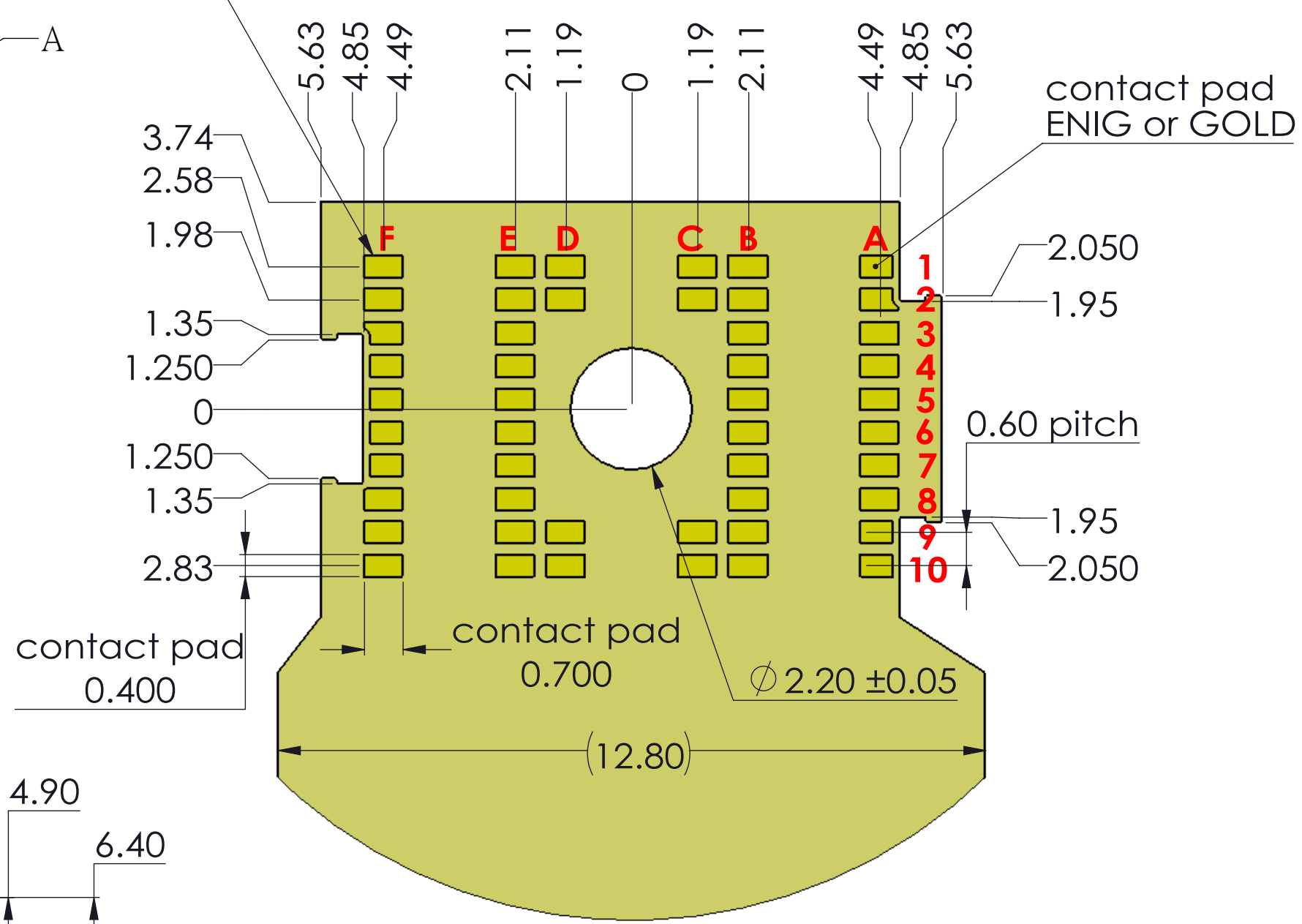


FPC Top View



FPC Bot View

solder mask opening
0.50 x 0.80 min



DETAIL A
SCALE 10:1

A1	A2	A3	A4	A5	A6	A7	A8	A9	A10	A11	A12
GND	TX1+	TX1-	VBUS	CC1	D+	D-	SBU1	VBUS	RX2-	RX2+	GND
GND	RX1+	RX1-	VBUS	SBU2	D-	D+	CC2	VBUS	TX2-	TX2+	GND
B12	B11	B10	B9	B8	B7	B6	B5	B4	B3	B2	B1

F	E	D	C	B	A	
GND	GND	GND	GND	GND	GND	1
GND	VBUS	VBUS	VBUS	VBUS	GND	2
GND	VBUS			VBUS	GND	3
RX2-	VBUS			VBUS	TX1-	4
RX2+	VBUS			VBUS	TX1+	5
GND	GND			GND	GND	6
TX2-	GND			GND	RX1-	7
TX2+	SBU1			CC1	RX1+	8
GND	GND	D+	VBUS	GND	GND	9
SHIELD	CC2	D-	VBUS	SBU2	SHIELD	10

USB Type C Receptacle Interface(Front View)

length	Standard P/N
30 mm	U31CA-CX048F030MC
50 mm	U31CA-CX048F050MC
80 mm	U31CA-CX048F080MC
100 mm	U31CA-CX048F100MC

FPC pin assignment

715 N. PASTORIA AVE.
SUNNYVALE, CA 94085
TEL: 408-530-9393 FAX: 408-530-9372

DIMENSIONS ARE IN MM [INCH]

.X ± 0.13 [.005]

.XX ± 0.08 [.003]

.XXX ± 0.025 [.001]

ANGLE: NO DEC ± 1°

.X ± 0.5°

.XX ± 0.25°

MATERIAL:

FINISH:

DRAWN BY: Jason Wu 10/25-2017

CHECKED BY: Gary Hsieh 10/25-2017

ENGR APPR: Gary Hsieh 10/25-2017

MFG APPR:

QA APPR:

TITLE:

USB 3.1 Type C Mid-Mount Bridge 48-Position X-Beam

SIZE: B+

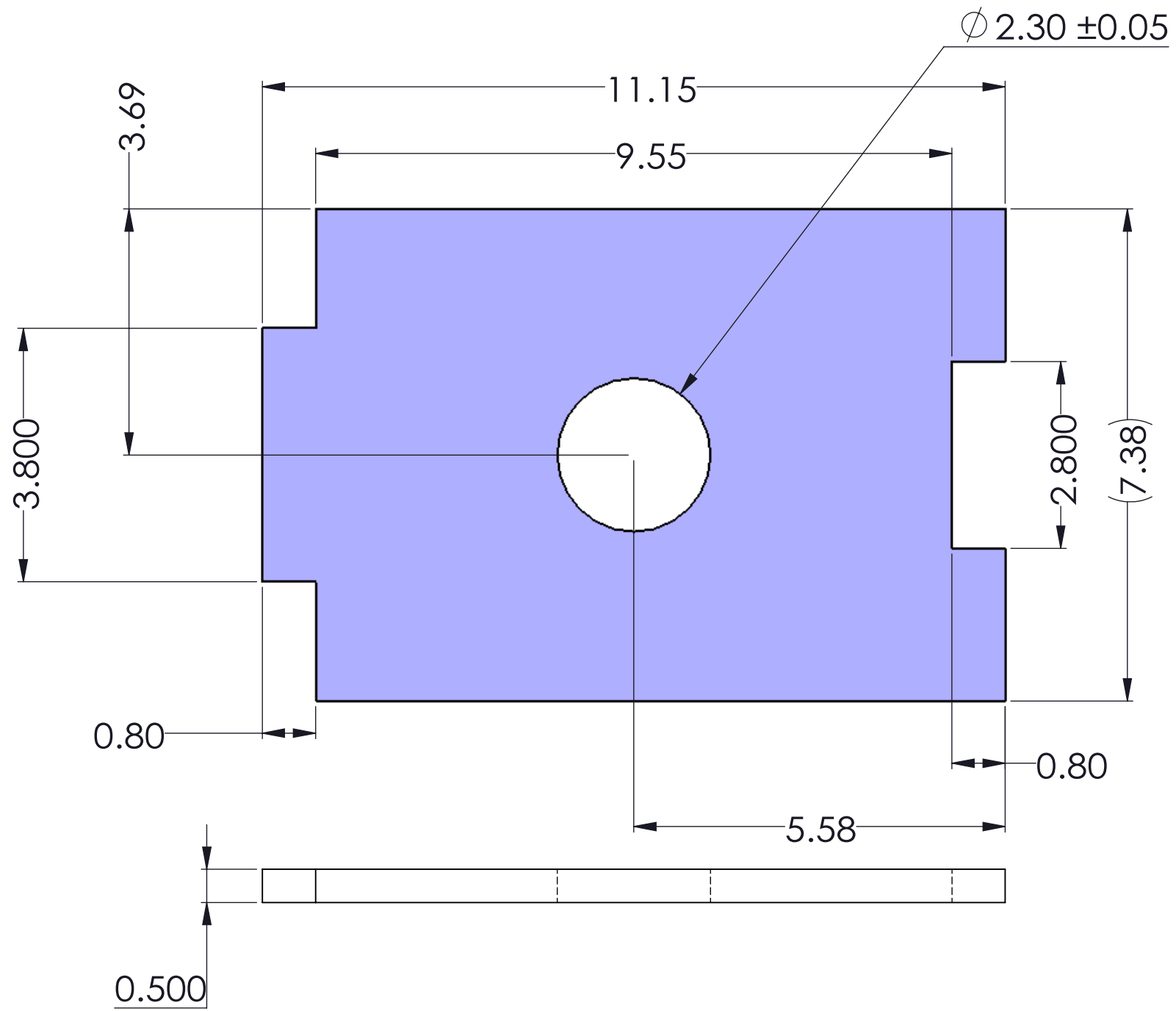
DWG NUMBER: U31CA-CX048F000MC

REV: 4

SCALE: 2:1


SHEET 1 OF 4

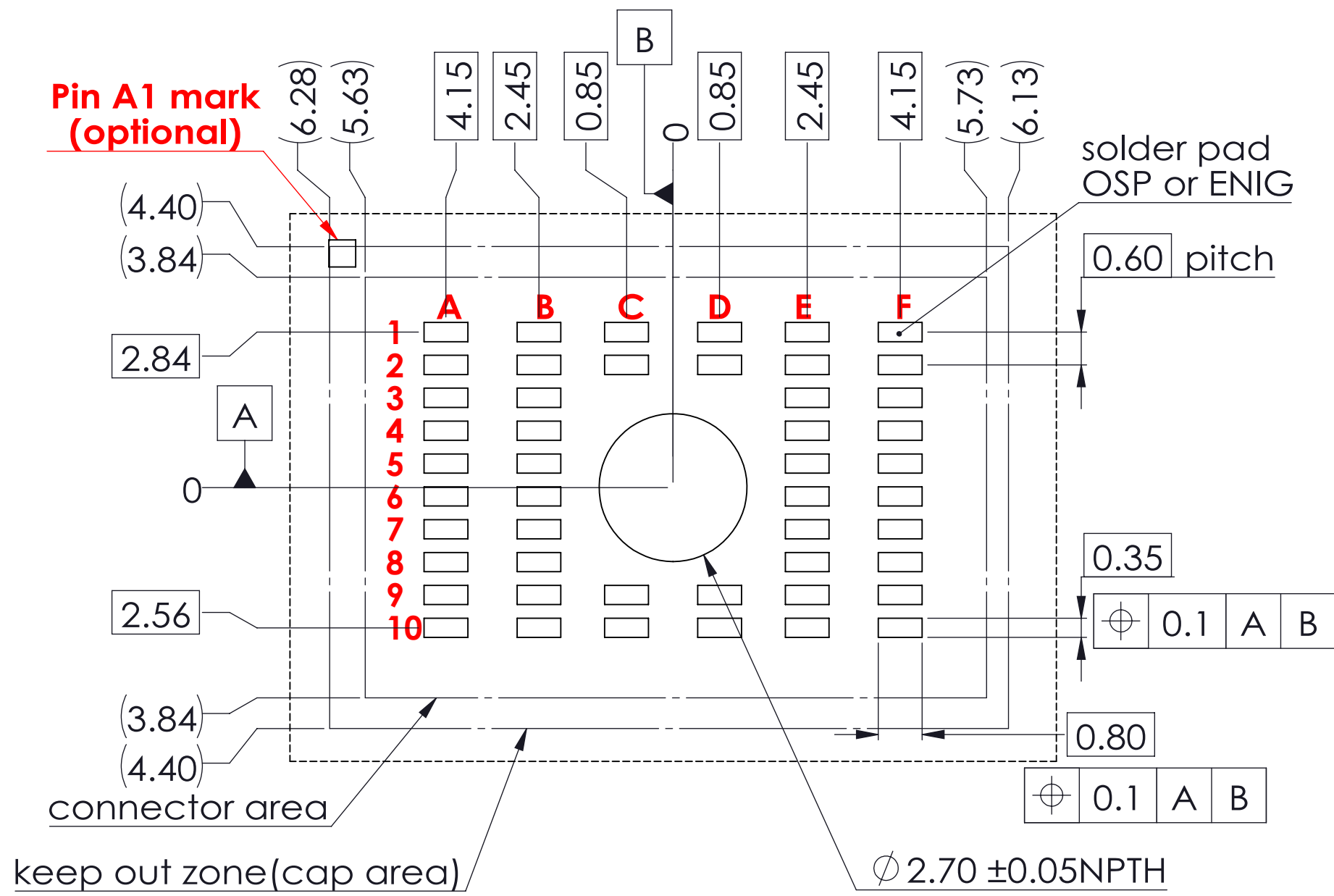
- PROPRIETARY INFORMATION -
 NO USE OR REPRODUCTION MAY BE MADE OF
 THIS DOCUMENT WITHOUT EXPRESS WRITTEN
 PERMISSION OF NEOCONIX.



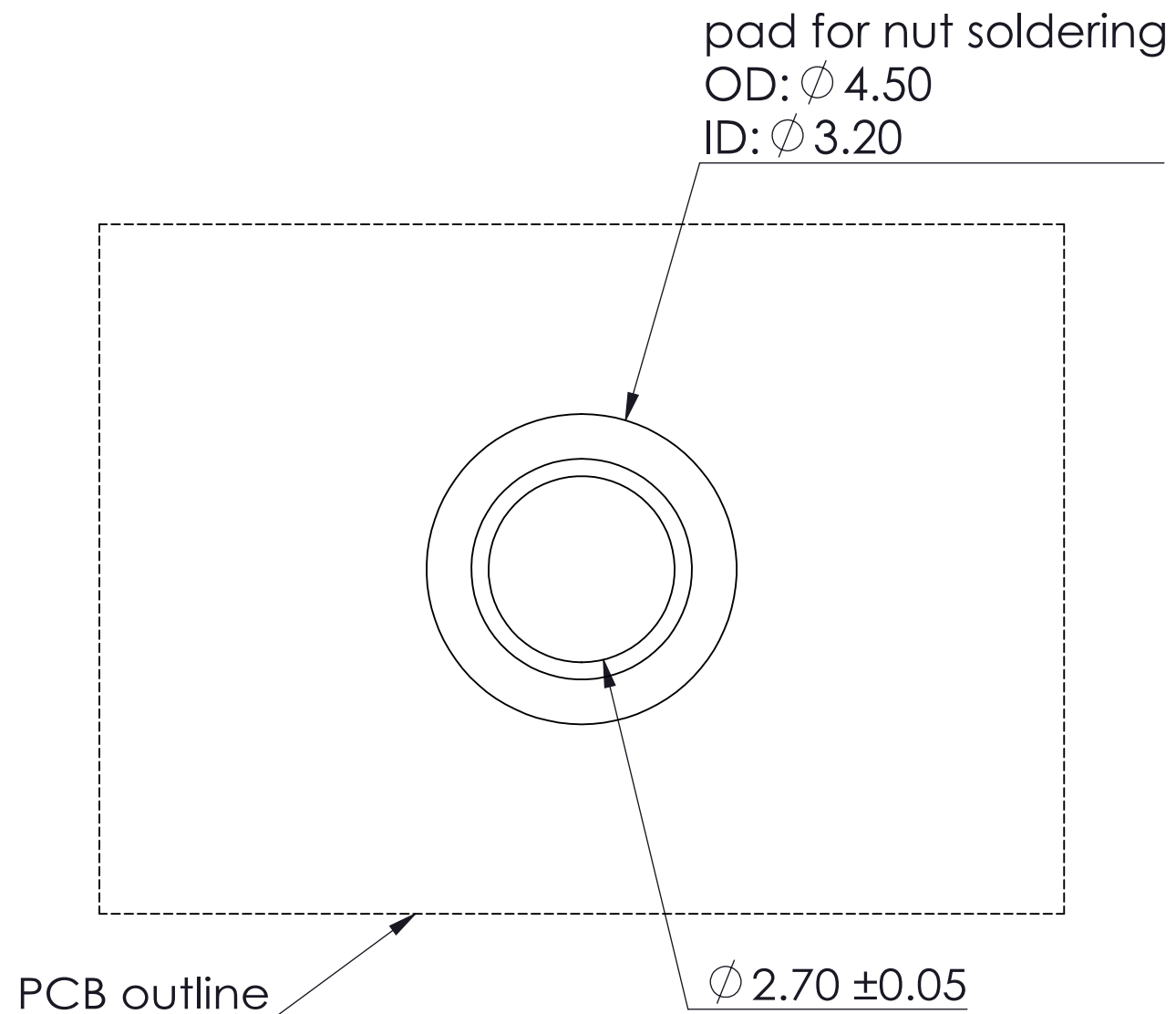
SUS301FH or SUS304

FPC stiffener

 715 N. PASTORIA AVE. SUNNYVALE, CA 94085 TEL: 408-530-9393 FAX: 408-530-9372	DIMENSIONS ARE IN MM [INCH] .X ± 0.13 [.005] .XX ± 0.08 [.003] .XXX ± 0.025 [.001] ANGLE: NO DEC ± 1° .X ± 0.5° .XX ± 0.25°		MATERIAL: FINISH:		TITLE: USB 3.1 Type C Mid-Mount Bridge 48-Position X-Beam	
	CHECKED BY: Gary Hsieh 10/25-2017 ENGR APPR: Gary Hsieh 10/25-2017		DRAWN BY: Jason Wu 10/25-2017 MFG APPR:		SIZE: B+	REV: 4
	THIRD ANGLE		QA APPR:		SCALE: 1:1 SHEET 2 OF 4	
	DWG NUMBER: U31CA-CX048F000MC					



Front side



Back side

	A	B	C	D	E	F
1	GND	GND	GND	GND	GND	GND
2	GND	VBUS	VBUS	VBUS	VBUS	GND
3	GND	VBUS			VBUS	GND
4	TX1-	VBUS			VBUS	RX2-
5	TX1+	VBUS			VBUS	RX2+
6	GND	GND			GND	GND
7	RX1-	GND			GND	TX2-
8	RX1+	CC1			SBU1	TX2+
9	GND	GND	VBUS	D+	GND	GND
10	SHIELD	SBU2	VBUS	D-	CC2	SHIELD

PCB pin assignment

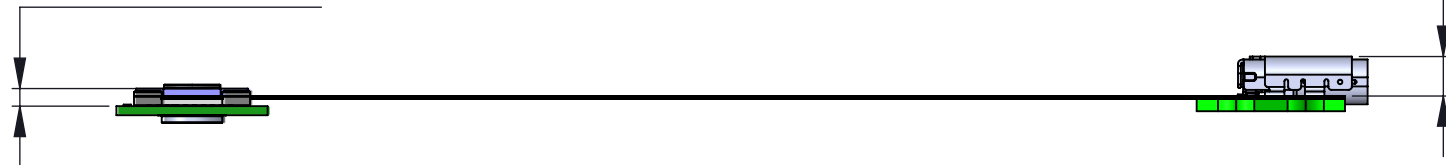
Recommended PCB footprint

<p>715 N. PASTORIA AVE. SUNNYVALE, CA 94085 TEL: 408-530-9393 FAX: 408-530-9372</p>	DIMENSIONS ARE IN MM [INCH] .X ± 0.13 [.005] .XX ± 0.08 [.003] .XXX ± 0.025 [.001] ANGLE: NO DEC ± 1° .X ± 0.5° .XX ± 0.25°		MATERIAL: FINISH:		TITLE: USB 3.1 Type C Mid-Mount Bridge 48-Position X-Beam	
	CHECKED BY: Gary Hsieh 10/25-2017 ENGR APPR: Gary Hsieh 10/25-2017		DRAWN BY: Jason Wu 10/25-2017		DWG NUMBER:	
	MFG APPR: QA APPR:		SIZE: B+		REV: 4	
	THIRD ANGLE		SCALE: 5:1		SHEET 3 OF 4	



Assembly-TOP view

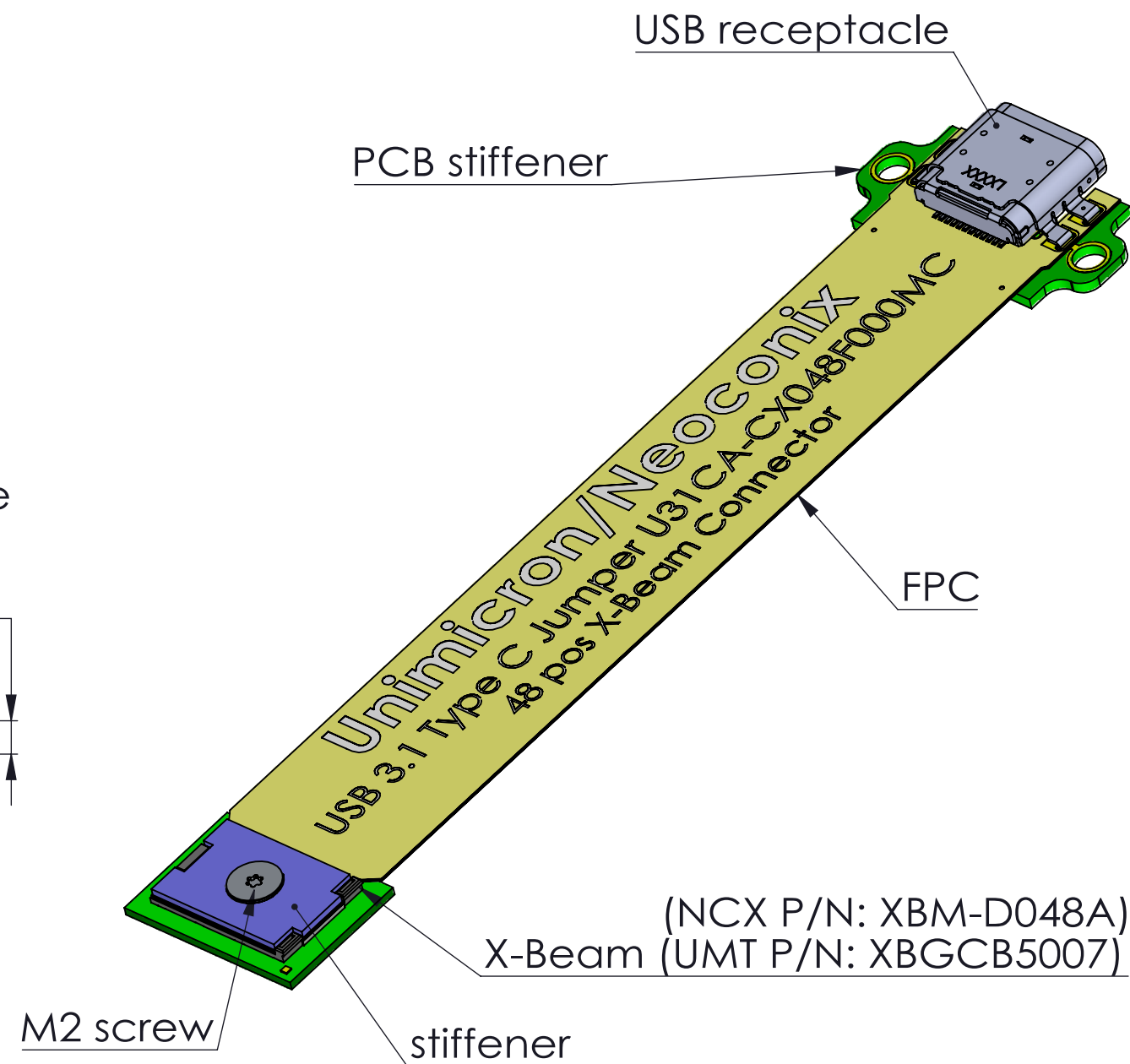
X-Beam side
stack height
1.18 ref



receptacle side
stack height
2.61 (CH= 0.93)



Assembly-BOT view



715 N. PASTORIA AVE.
SUNNYVALE, CA 94085
TEL: 408-530-9393 FAX: 408-530-9372

DIMENSIONS ARE IN

MM [INCH]

.X ± 0.13 [.005]

.XX ± 0.08 [.003]

.XXX ± 0.025 [.001]

ANGLE: NO DEC ± 1°

.X ± 0.5°

.XX ± 0.25°

THIRD ANGLE

MATERIAL:

FINISH:

DRAWN BY: Jason Wu 10/25-2017

CHECKED BY: Gary Hsieh 10/25-2017

ENGR APPR: Gary Hsieh 10/25-2017

MFG APPR:

QA APPR:

TITLE:

USB 3.1 Type C Mid-Mount
Bridge 48-Position X-Beam

SIZE

B+

DWG NUMBER: U31CA-CX048F000MC

REV

4

SCALE: 1:1 SHEET 4 OF 4