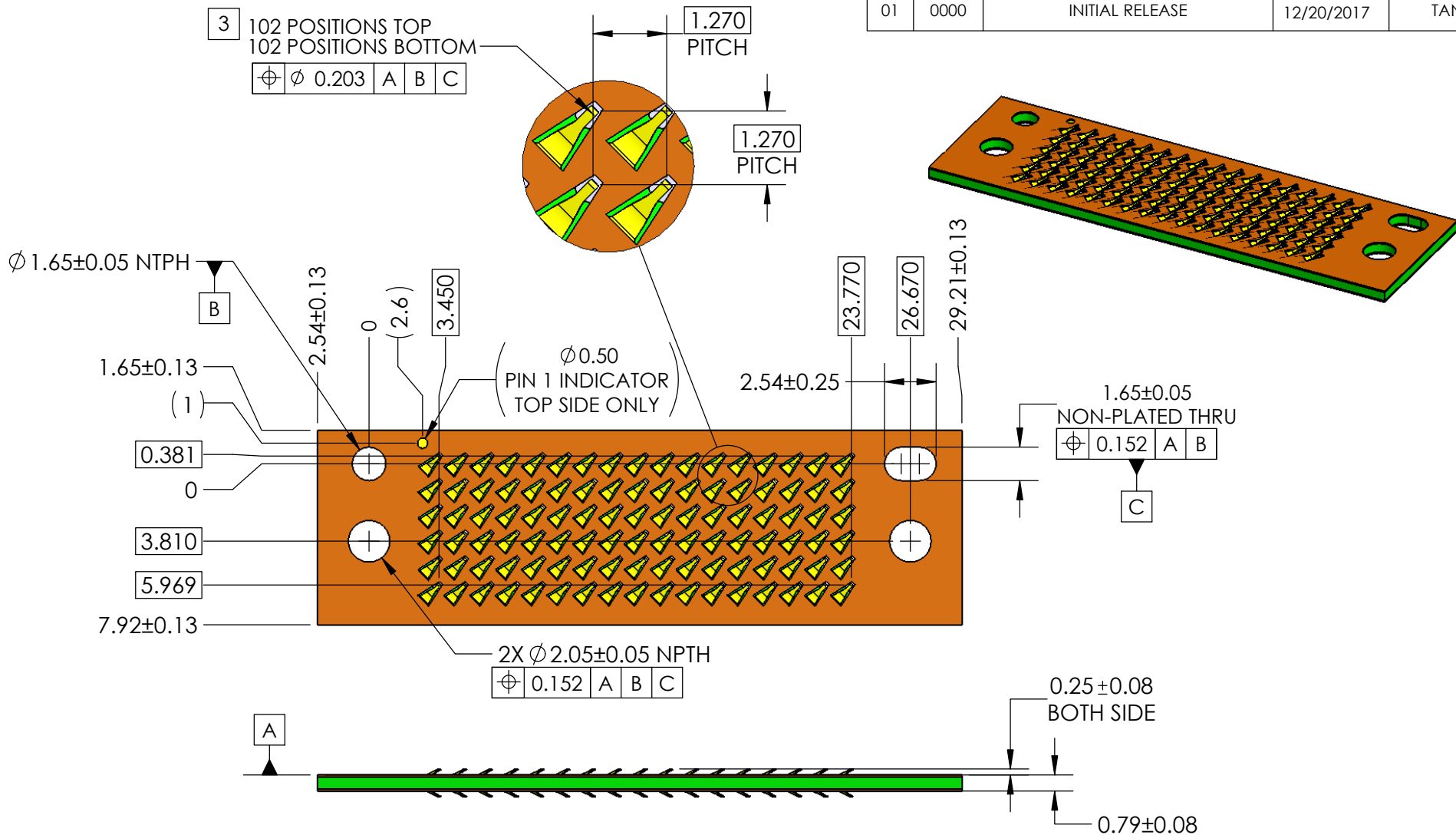


REVISIONS				
REV	ECN	DESCRIPTION	DATE	DESIGN BY:
01	0000	INITIAL RELEASE	12/20/2017	TAN



Notes:

1. DRAWING INTERPRETED PER ASME Y14.5-94.
2. CONTACT PLATING: Ni/Au.
- 3 CONTACT BEAM POSITIONS ARE COMPRESSED STAGE.

DIMENSIONS ARE IN mm
TOLERANCES (unless otherwise specified):

ANGULAR: ± 2 degree
LINEAR: .X ± 0.13
.XX ± 0.08
.XXX ± 0.025

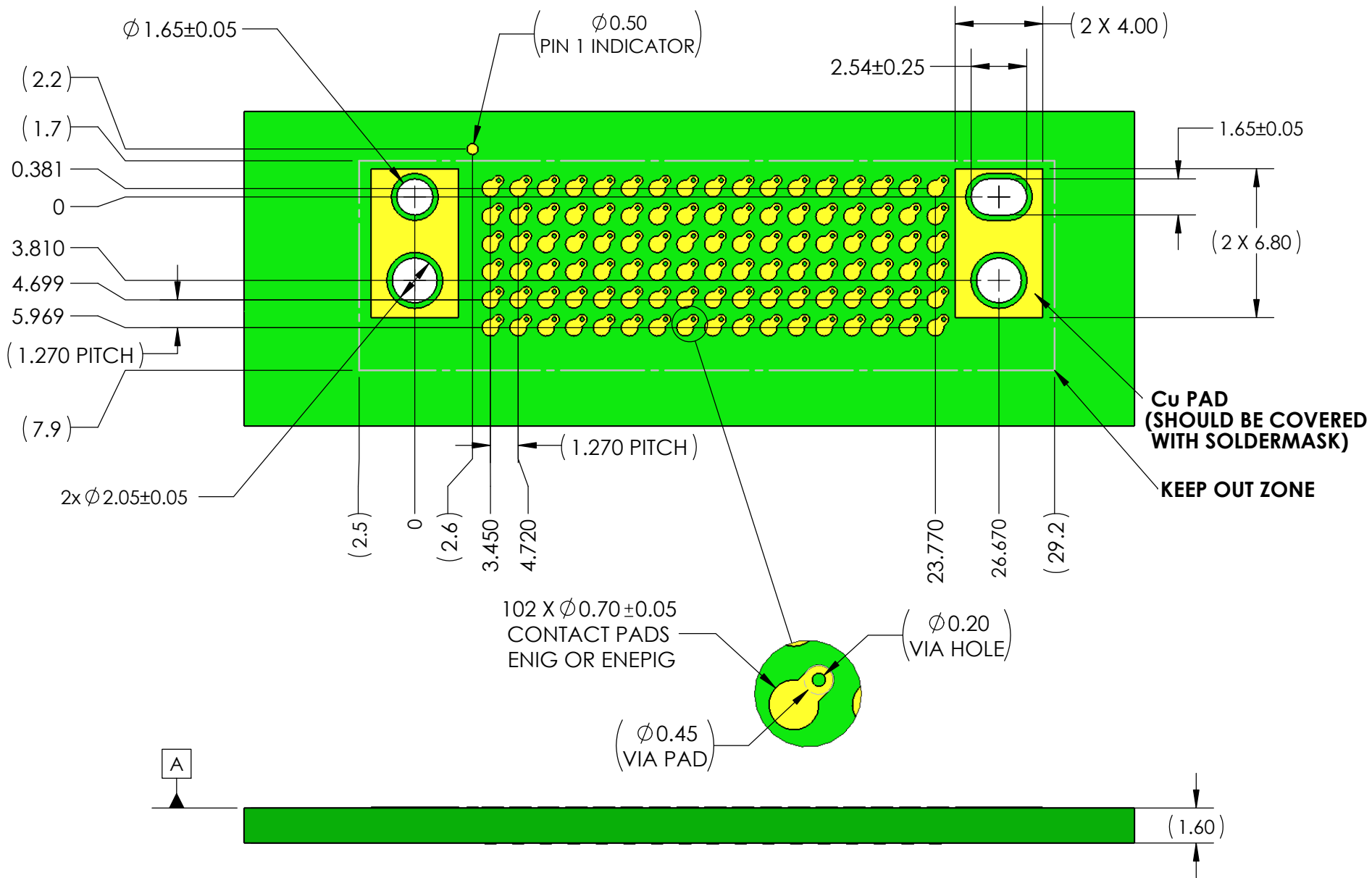
MATERIAL
FINISH

NAME	DATE
DESIGN BY: TAN NGUYEN	12/20/2017
CHECKED	
Appr	
Release level	PRE-RELEASE
COMMENTS:	projection
DO NOT SCALE DRAWING	SIZE A



4020 Moorpark Ave.
Suite 108.
San Jose, CA, 95117

Title:	INTERPOSER 1.27mm PITCH 102 POSITIONS LGA-LGA	
DWG. NO.	SPH2-SF102A	REV. 1
SCALE:2:1	WEIGHT:	SHEET 1 OF 6

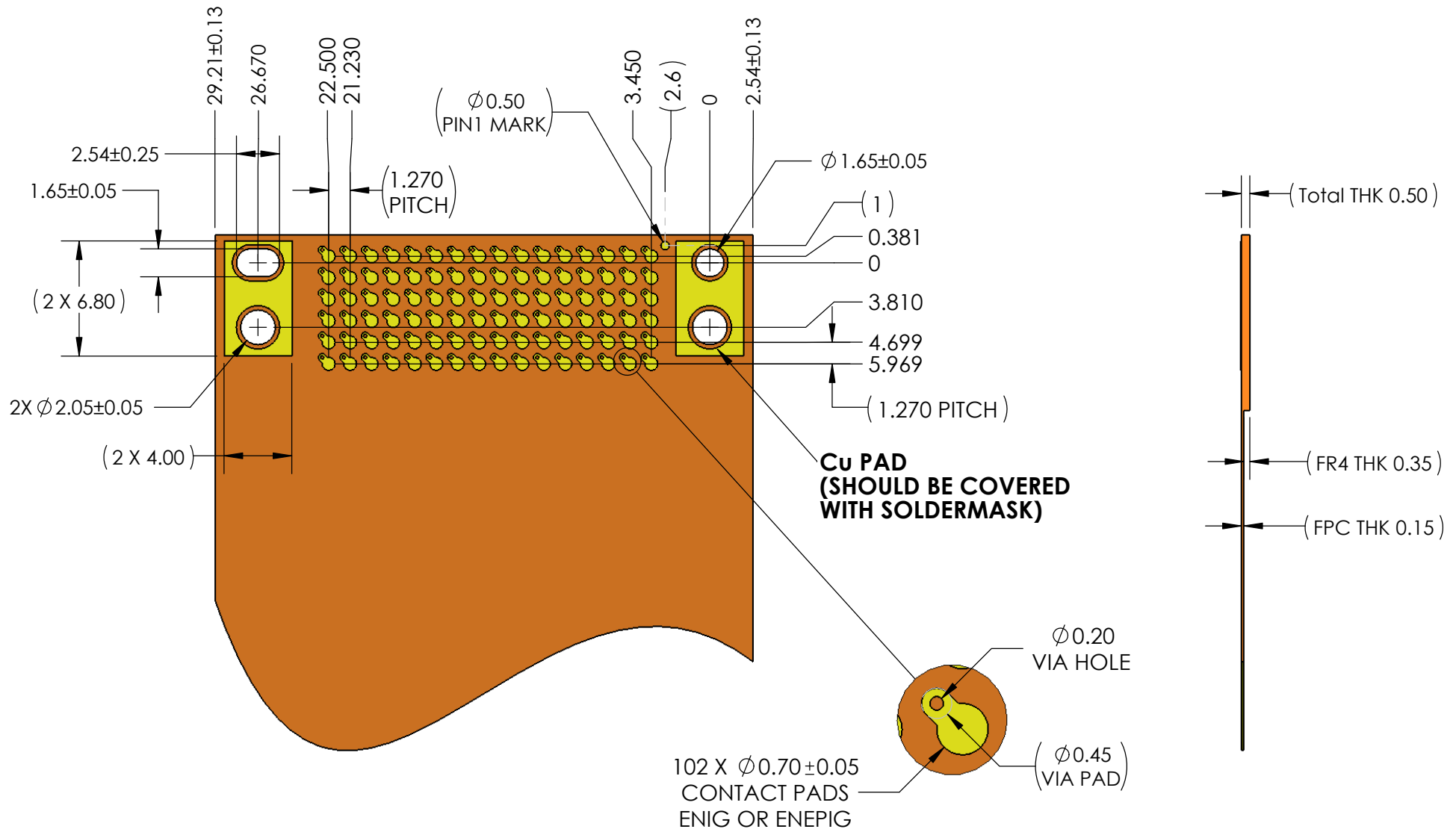


RECOMMENDED BOARD FOOTPRINT

Notes:

1. 150 MICRO INCH NI & 15 MICRO INCH HARD AU OR ENIG OR ENEPIG

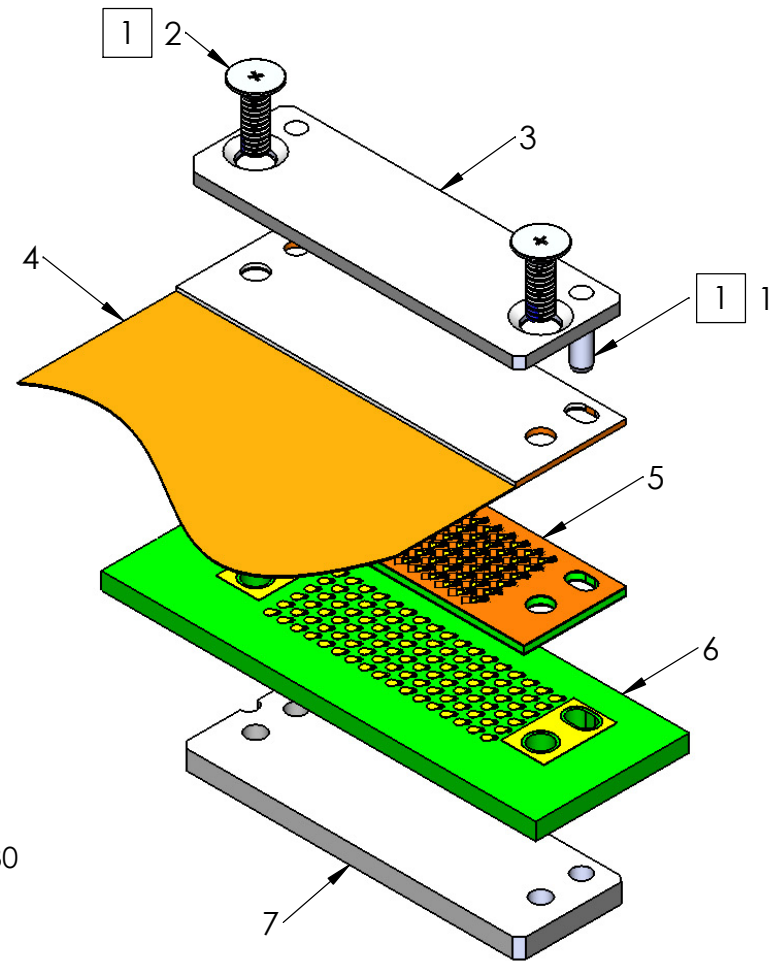
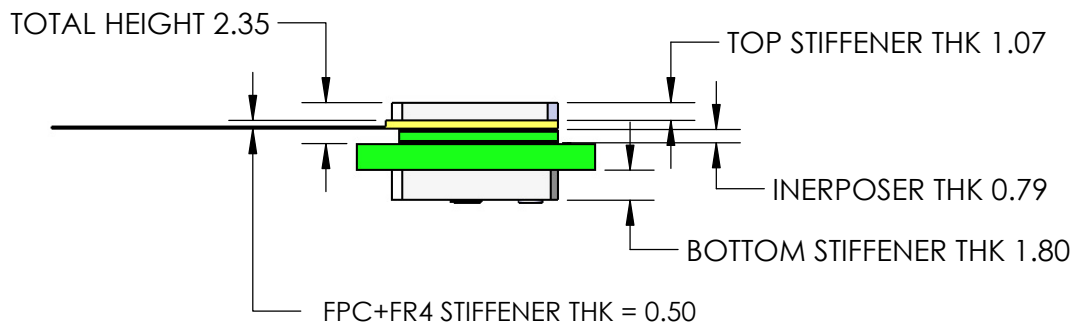
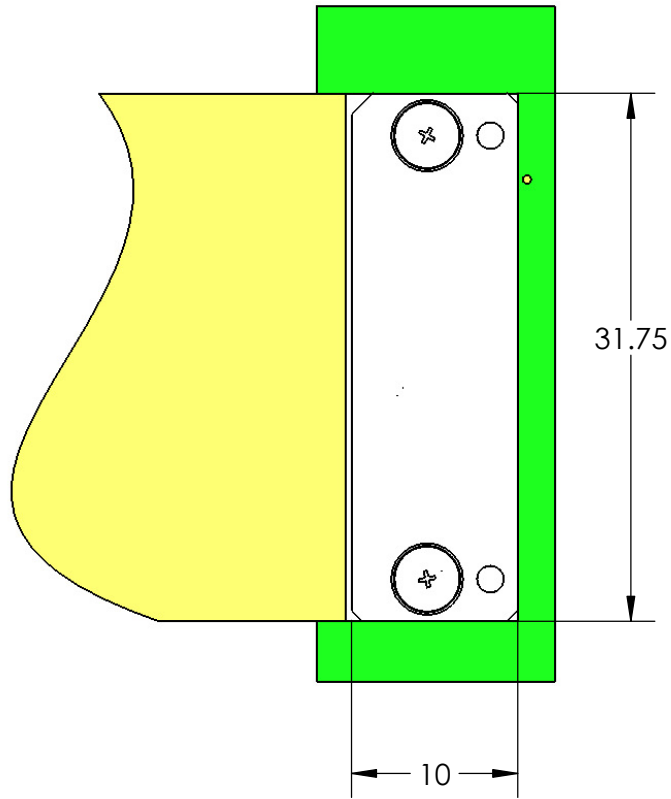
SIZE	A	DWG. NO.	SPH2-SF102A-PCB	REV.	1
SCALE:	2:1	WEIGHT:		SHEET 2 OF 6	



RECOMMENDED FPC FOOTPRINT

SIZE	A	DWG. NO.	SPH2-SF102A-FPC	REV.	1
	SCALE:2:1		WEIGHT:		SHEET 3 OF 6

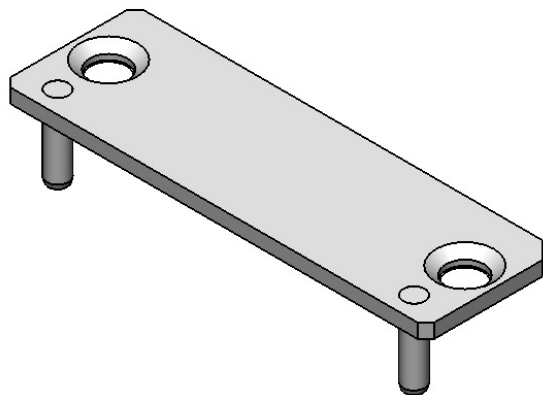
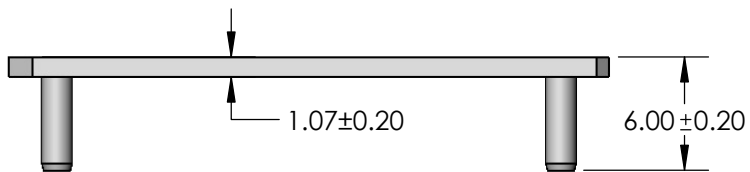
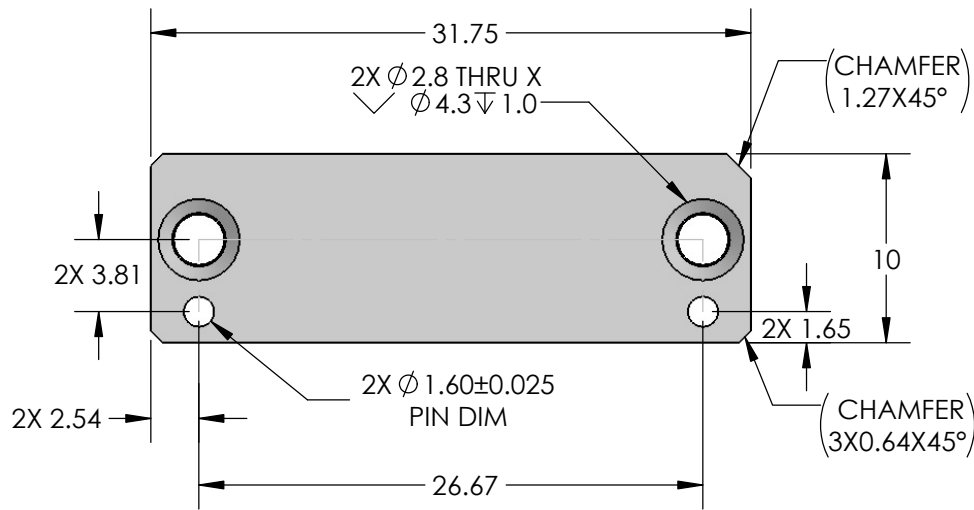
ITEM NO	Description	Default/QTY
1	Alignment PIN M1.6	2
2	M2.0 Screw	2
3	Top Stiffener	1
4	Flex	1
5	Interposer	1
6	PCB	1
7	Bottom Stiffener	1



NOTE:

1 PIN / SCREW LENGTHS WILL DEPEND ON THE PCB THICKNESS.
SEE APPLICATION SPEC. AS-00017 FOR PRODUCT AND HARDWARE REQUIREMENTS.

SIZE	A	DWG. NO.	SPH2-SF102A-ASY	REV.	1
SCALE:	2:1	WEIGHT:		SHEET	4 OF 6

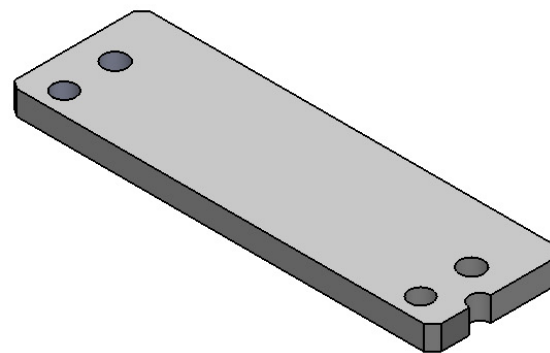
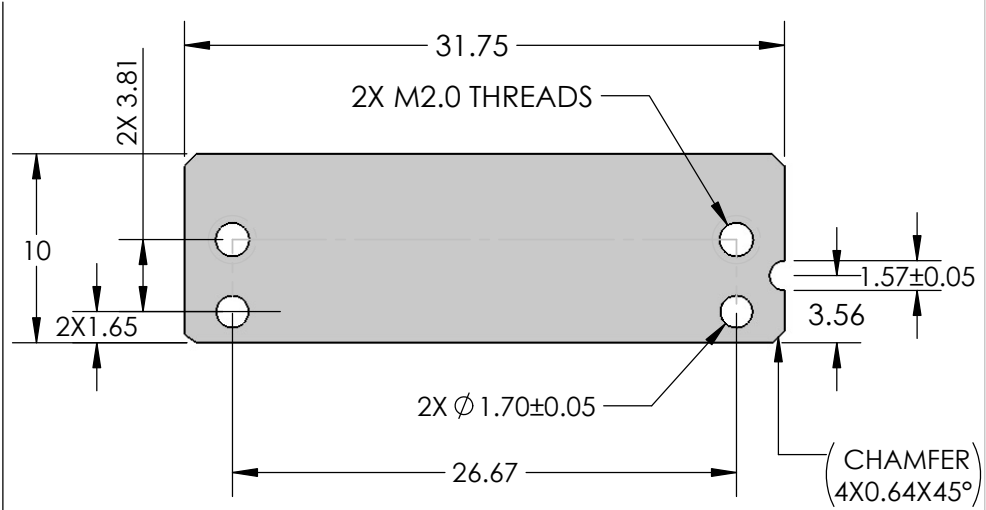


TOP STIFFENER

P/N B01-000625

Notes:

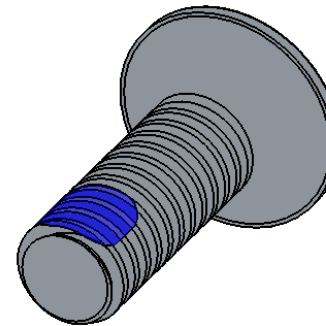
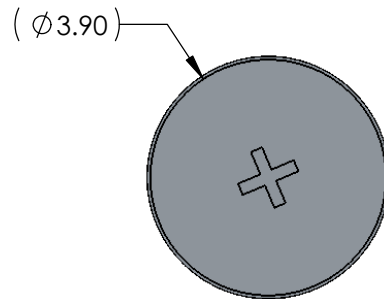
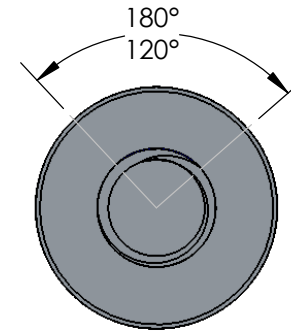
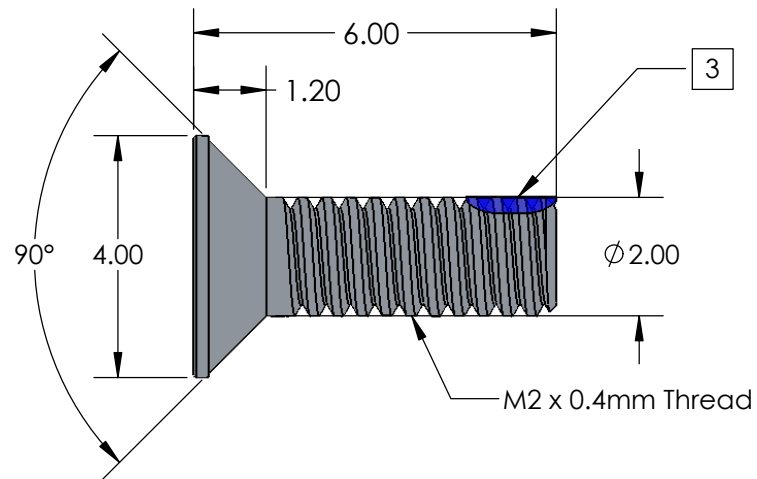
1. MATERIAL SS304 OR SS316



BOTTOM STIFFENER

P/N B01-000629

SIZE	A	DWG. NO. SPH1-C110A-STF	REV.
			1
SCALE:2:1	WEIGHT:	SHEET 5 OF 6	



Notes:

1. FINISH: BRIGHT NICKEL PER ASTM B689-97, TYPE 2, CLASS 5
2. MATERIAL: AISI 1018
3. THREADLOCK: NYLOK-BLUE, FIRST 4-6 WHOLE THREADS, 120°-180° COVERAGE.
4. SCREW FIT TOLERANCE DOES NOT INCLUDE THREADLOCK.
5. PART TO BE FREE OF BURRS AND SHARP EDGES.

SIZE A	DWG. NO. B01-000630-L060	REV. 2
SCALE:12:1	WEIGHT:	SHEET 6 OF 6