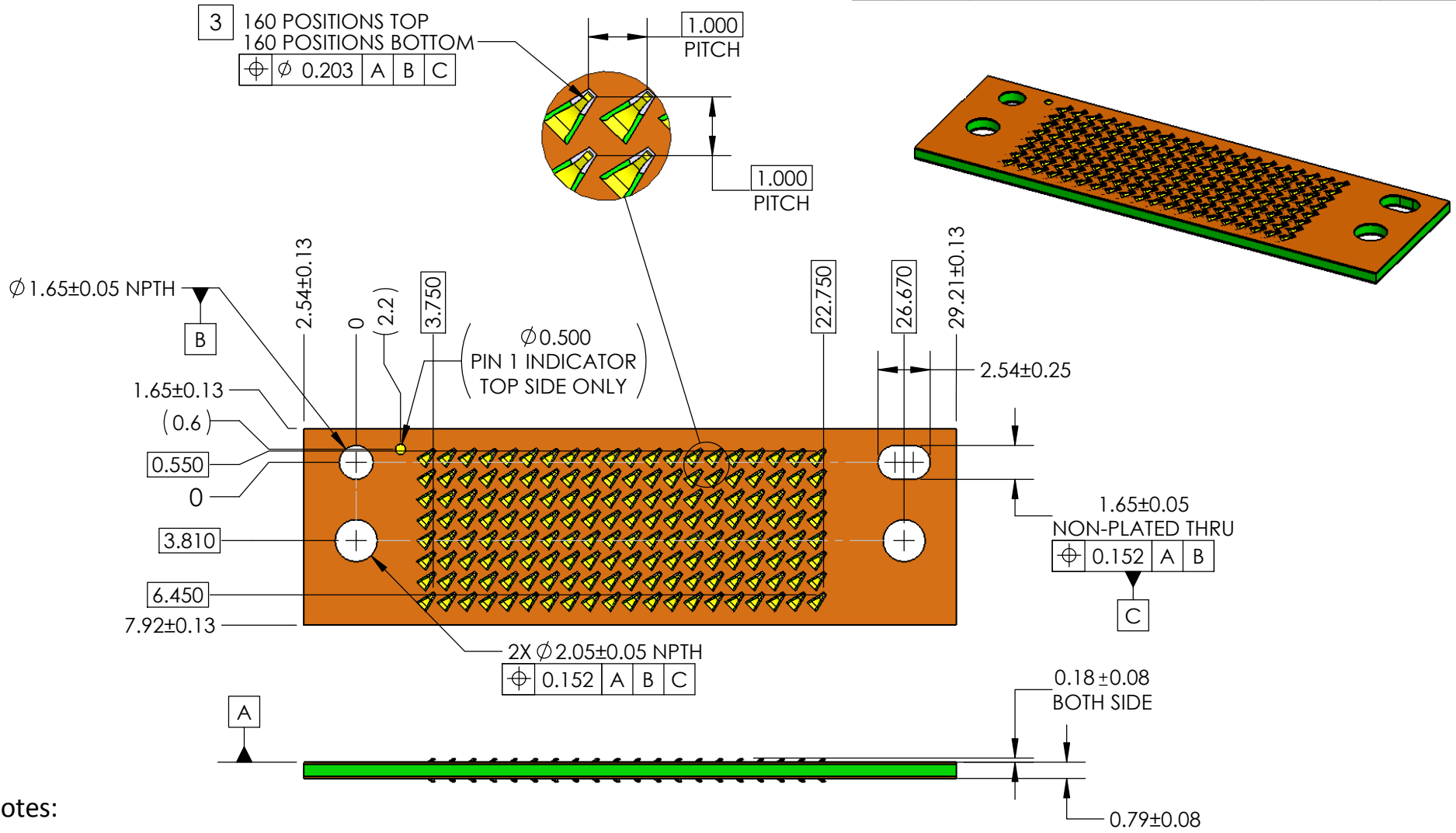


REVISIONS				
REV	ECN	DESCRIPTION	DATE	DESIGN BY:
01	0000	PRE-RELEASE	12/20/2017	TAN



**Notes:**

1. DRAWING INTERPRETED PER ASME Y14.5-94.
2. CONTACT PLATING: Ni/Au.
3. CONTACT BEAM POSITIONS ARE COMPRESSED STAGE.

DIMENSIONS ARE IN mm TOLERANCES (unless otherwise specified):	
ANGULAR: ± 2 degree	
LINEAR: .X ±0.13	
.XX ±0.08	
.XXX ±0.025	
MATERIAL	--
FINISH	--

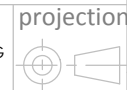
DESIGN BY:	NAME	DATE
TAN NGUYEN	TAN NGUYEN	12/20/2017
CHECKED		
Appr		
Release level	<b>PRE-RELEASE</b>	
COMMENTS:	DO NOT SCALE DRAWING	


 4020 Moorpark Ave.  
 Suite 108.  
 San Jose, CA, 95117

Title: **INTERPOSER 1mm PITCH  
160 POSITIONS LGA-LGA**

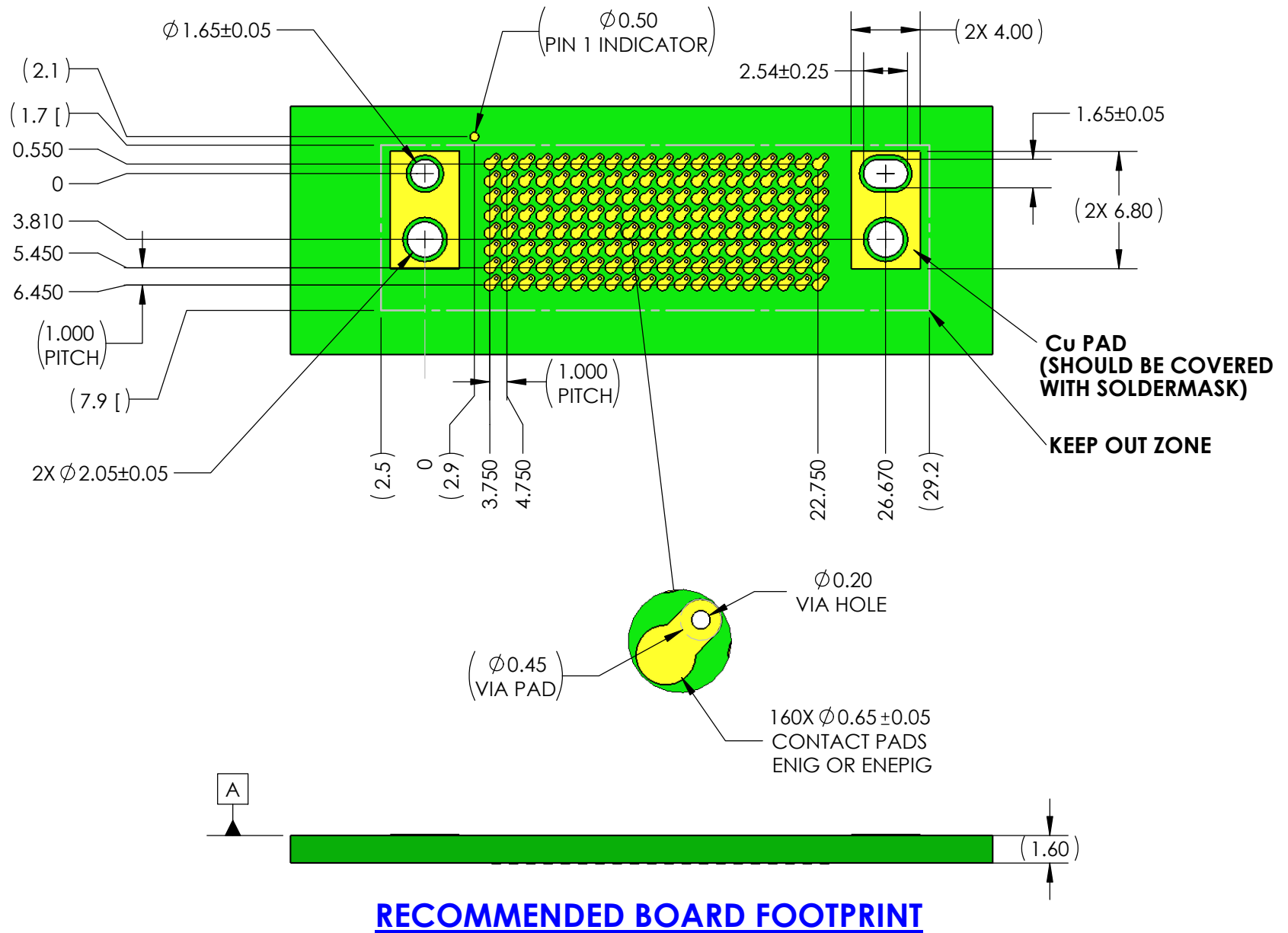
DWG. NO. **SPH2-SD160A**

SCALE:2:1    WEIGHT:    SHEET 1 OF 6



SIZE **A**

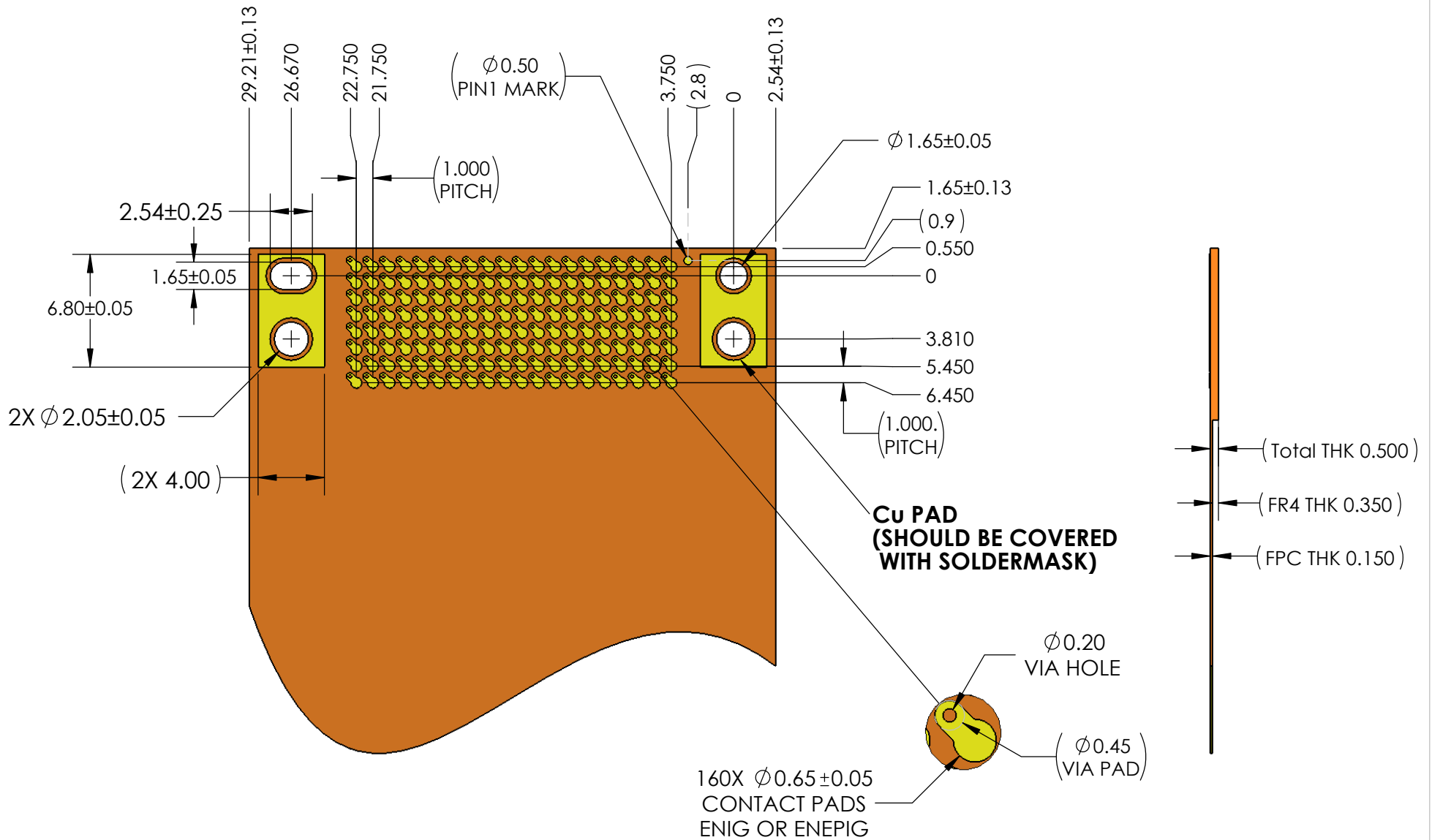
REV. **1**



Notes:

1. 150 MICRO INCH NI & 15 MICRO INCH HARD AU OR ENIG OR ENEPIG.

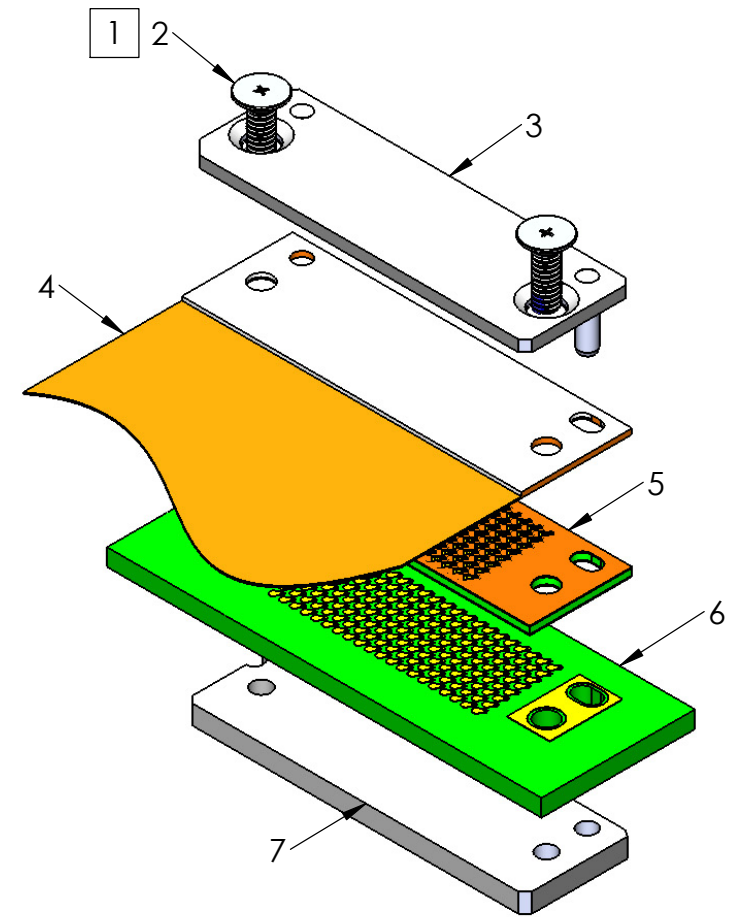
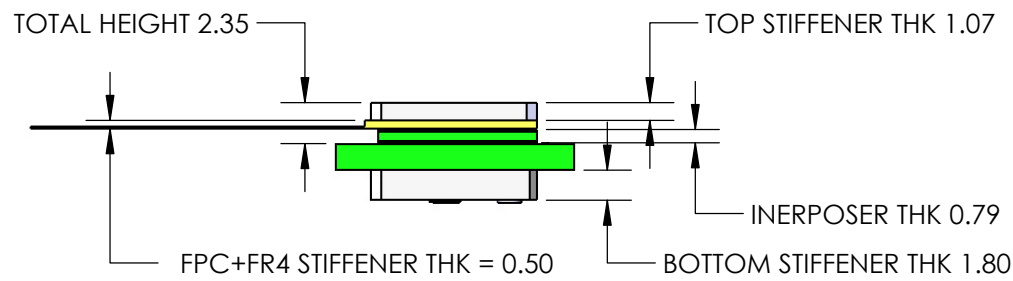
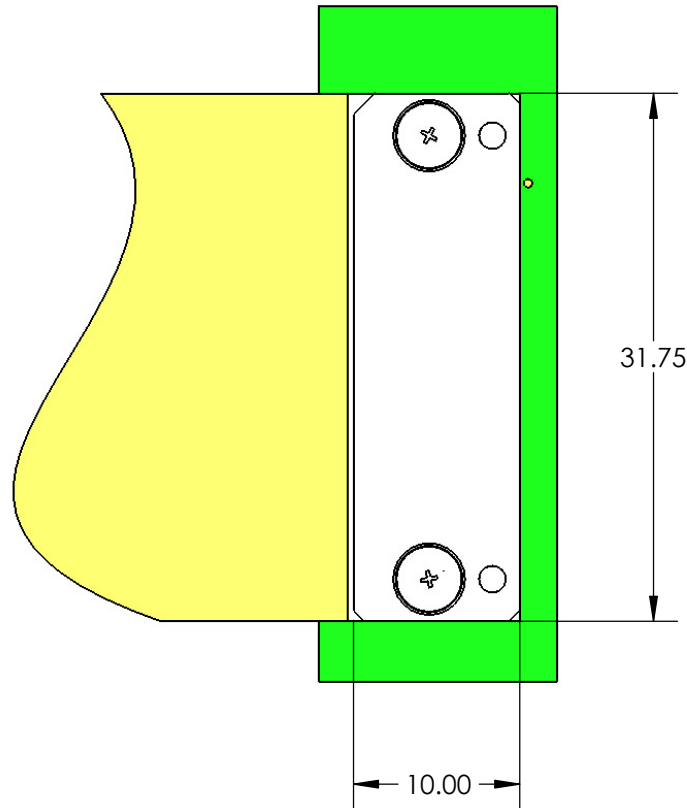
SIZE	<b>A</b>	DWG. NO.	<b>SPH2-SD160A-PCB</b>	REV.	<b>1</b>
SCALE:	2:1	WEIGHT:		SHEET 2 OF 6	



**RECOMMENDED FPC FOOTPRINT**

SIZE	<b>A</b>	DWG. NO.	<b>SPH2-SD160A-FPC</b>	REV.	<b>1</b>
SCALE:	2:1	WEIGHT:		SHEET 3 OF 6	

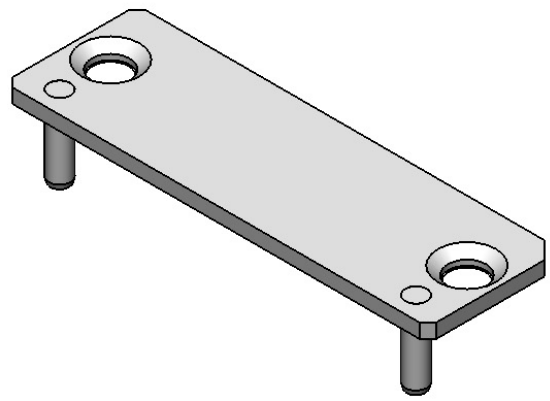
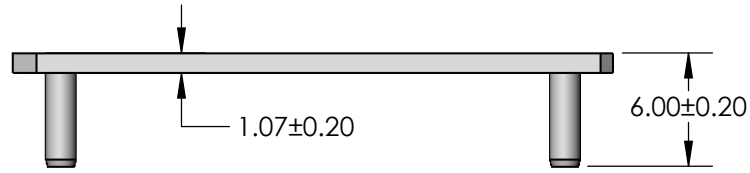
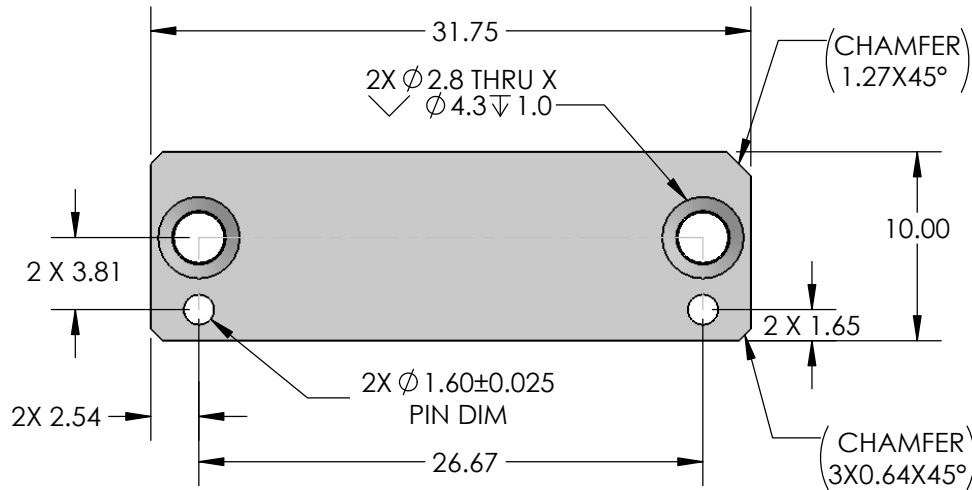
ITEM NO	Description	Default/QTY
1	Alignment PIN M1.6	2
2	M2.0 Screw	2
3	Top Stiffener	1
4	Flex	1
5	Interposer	1
6	PCB	1
7	Bottom Stiffener	1



NOTE:

1 PIN / SCREW LENGTHS WILL DEPEND ON THE PCB THICKNESS.  
SEE APPLICATION SPEC. AS-00017 FOR PRODUCT AND HARDWARE REQUIREMENTS.

SIZE	<b>A</b>	DWG. NO.	<b>SPH2-MD160A-ASY</b>	REV.	<b>1</b>
SCALE:2:1		WEIGHT:		SHEET 4 OF 6	

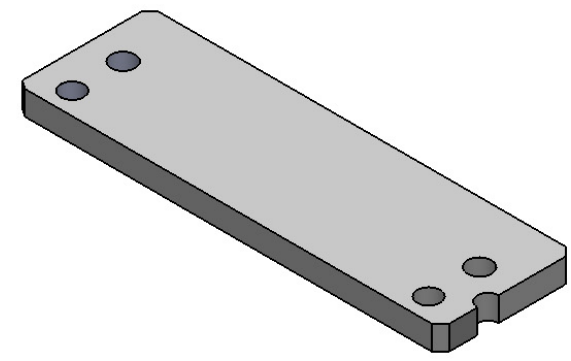
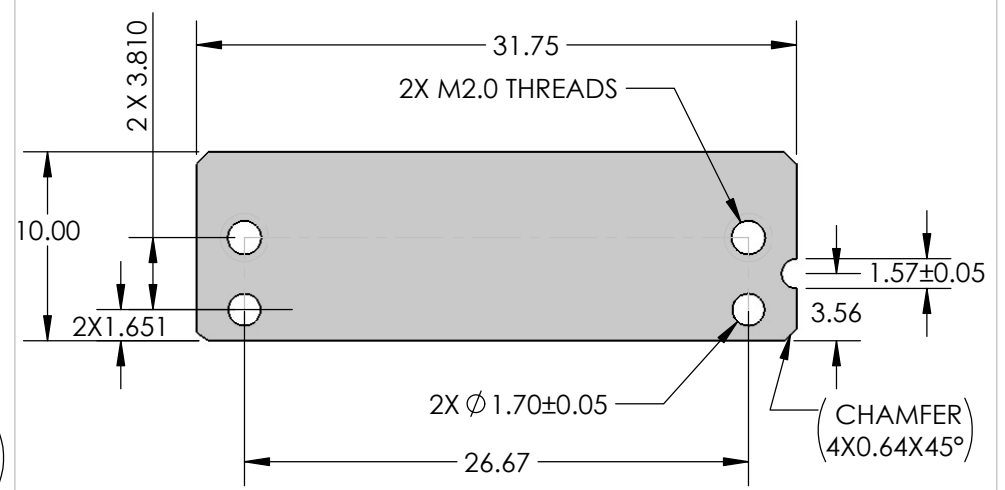


**TOP STIFFENER**

P/N B01-000625

**Notes:**

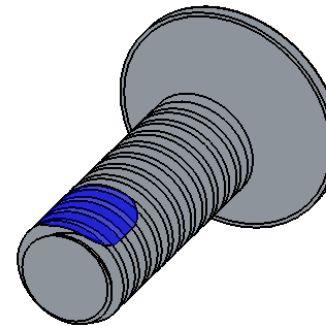
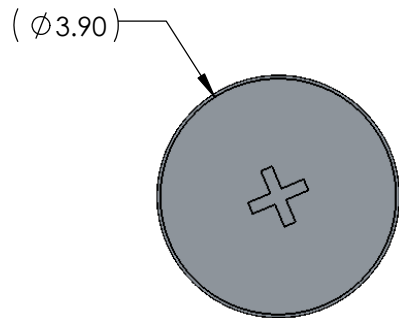
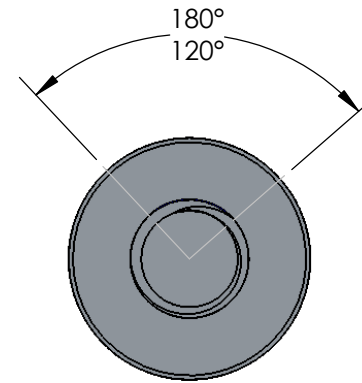
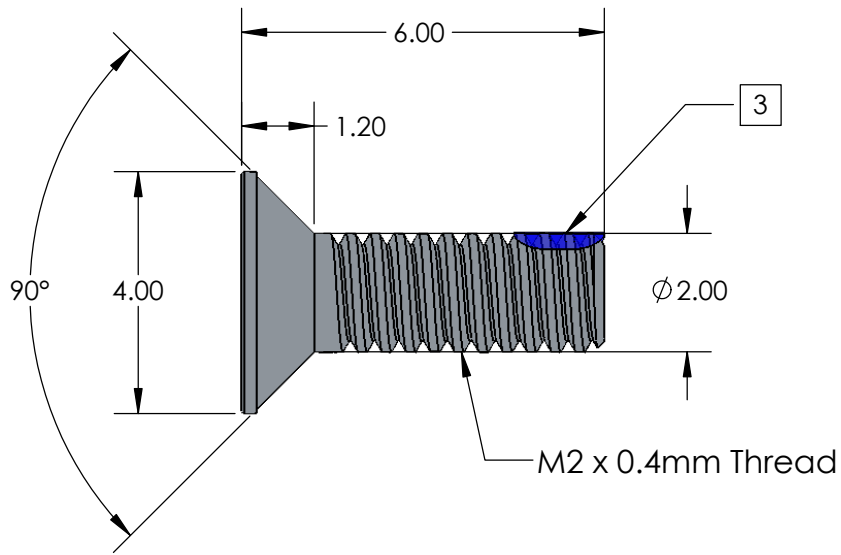
- 1. MATERIAL SS304 OR SS316



**BOTTOM STIFFENER**

P/N B01-000629

SIZE	<b>A</b>	DWG. NO. SPH1-C110A-STF	REV.
			<b>1</b>
SCALE:2:1	WEIGHT:	SHEET 5 OF 6	



**Notes:**

1. FINISH: BRIGHT NICKEL PER ASTM B689-97, TYPE 2, CLASS 5
2. MATERIAL: AISI 1018
3. THREADLOCK: NYLON-BLUE, FIRST 4-6 WHOLE THREADS, 120°-180° COVERAGE.
4. SCREW FIT TOLERANCE DOES NOT INCLUDE THREADLOCK.
5. PART TO BE FREE OF BURRS AND SHARP EDGES.

SIZE <b>A</b>	DWG. NO. B01-000630-L060	REV. <b>2</b>
SCALE:12:1	WEIGHT:	SHEET 6 OF 6