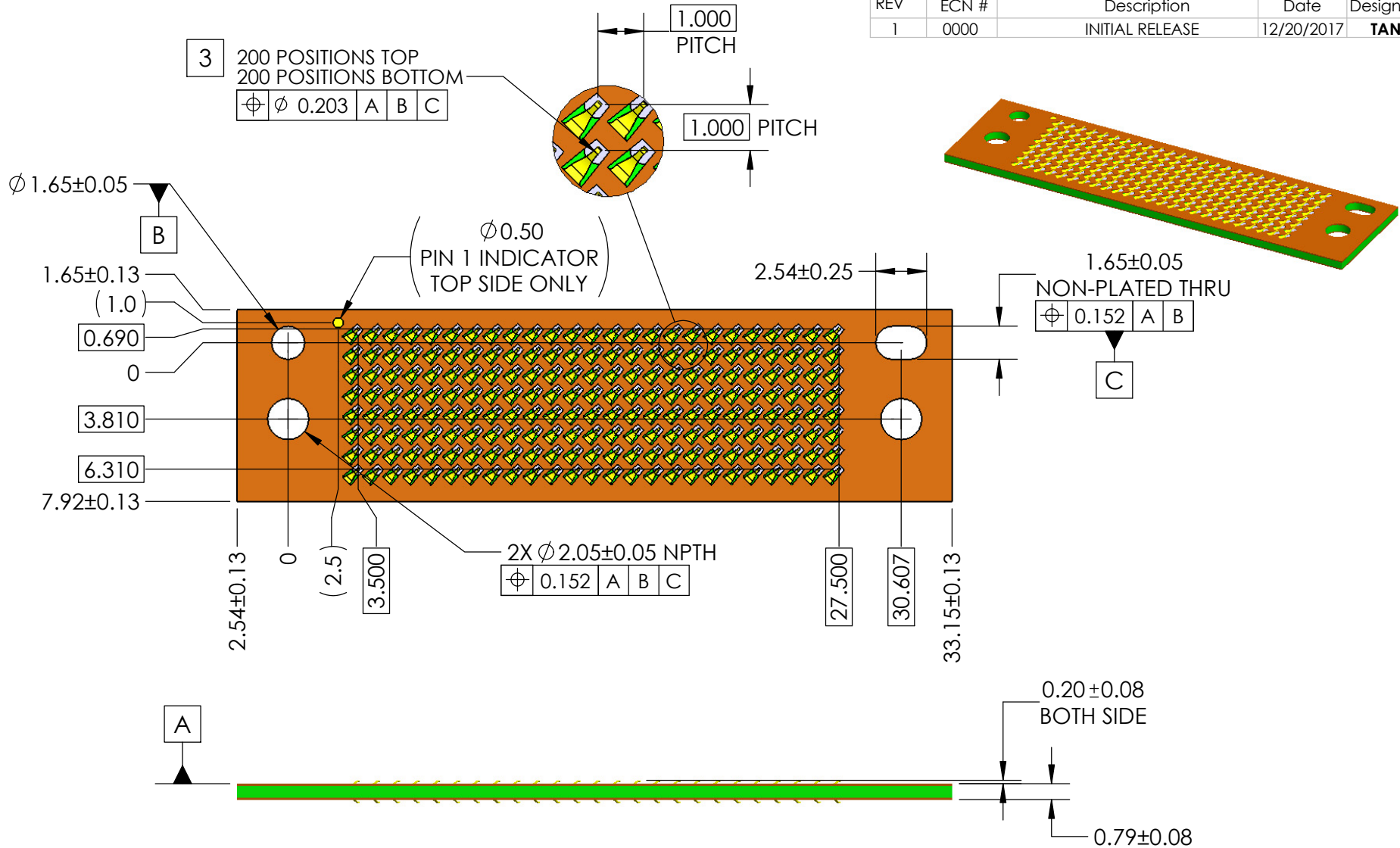


Revisions				
REV	ECN #	Description	Date	Design By
1	0000	INITIAL RELEASE	12/20/2017	TAN



Notes:

1. DRAWING INTERPRETED PER ASME Y14.5-94.
2. CONTACT PLATING: Ni/Au.
3. CONTACT BEAM POSITION ARE AT COMPRESSED STAGE.

DIMENSIONS ARE IN mm
TOLERANCES (unless otherwise specified):

ANGULAR: ± 2 degree
LINEAR: .X ± 0.13
.XX ± 0.08
.XXX ± 0.025

MATERIAL: --
FINISH: --

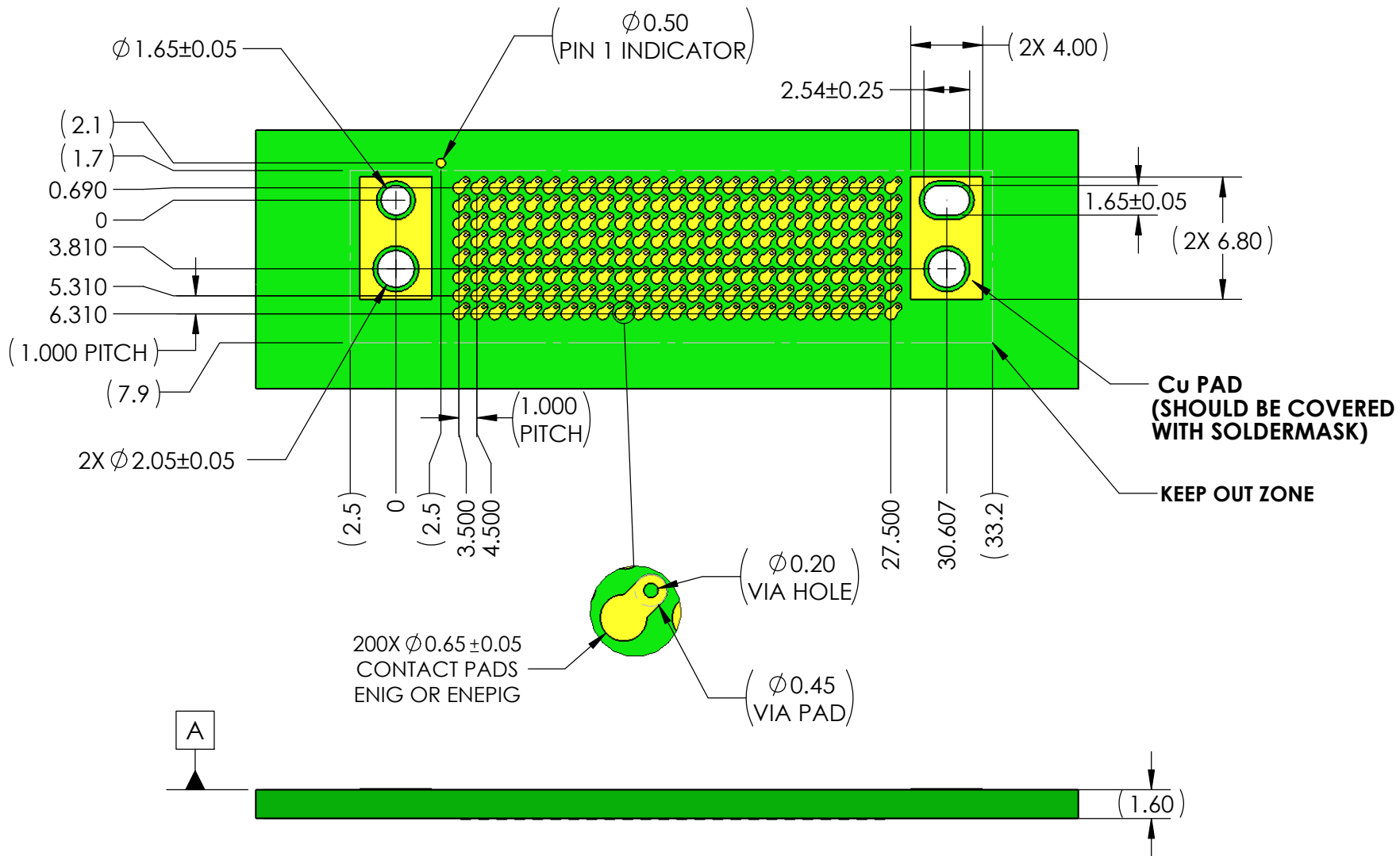
DESIGN BY	NAME	DATE
TAN NGUYEN		12/20/2017
CHECKED		
Appr		
Release level	PRE-RELEASE	
COMMENTS:	DO NOT SCALE DRAWING	



4020 Moorpark Ave.
Suite 108.
San Jose, CA, 95117

Title: INTERPOSER 1.00MM PITCH
200 POSITIONS LGA-LGA

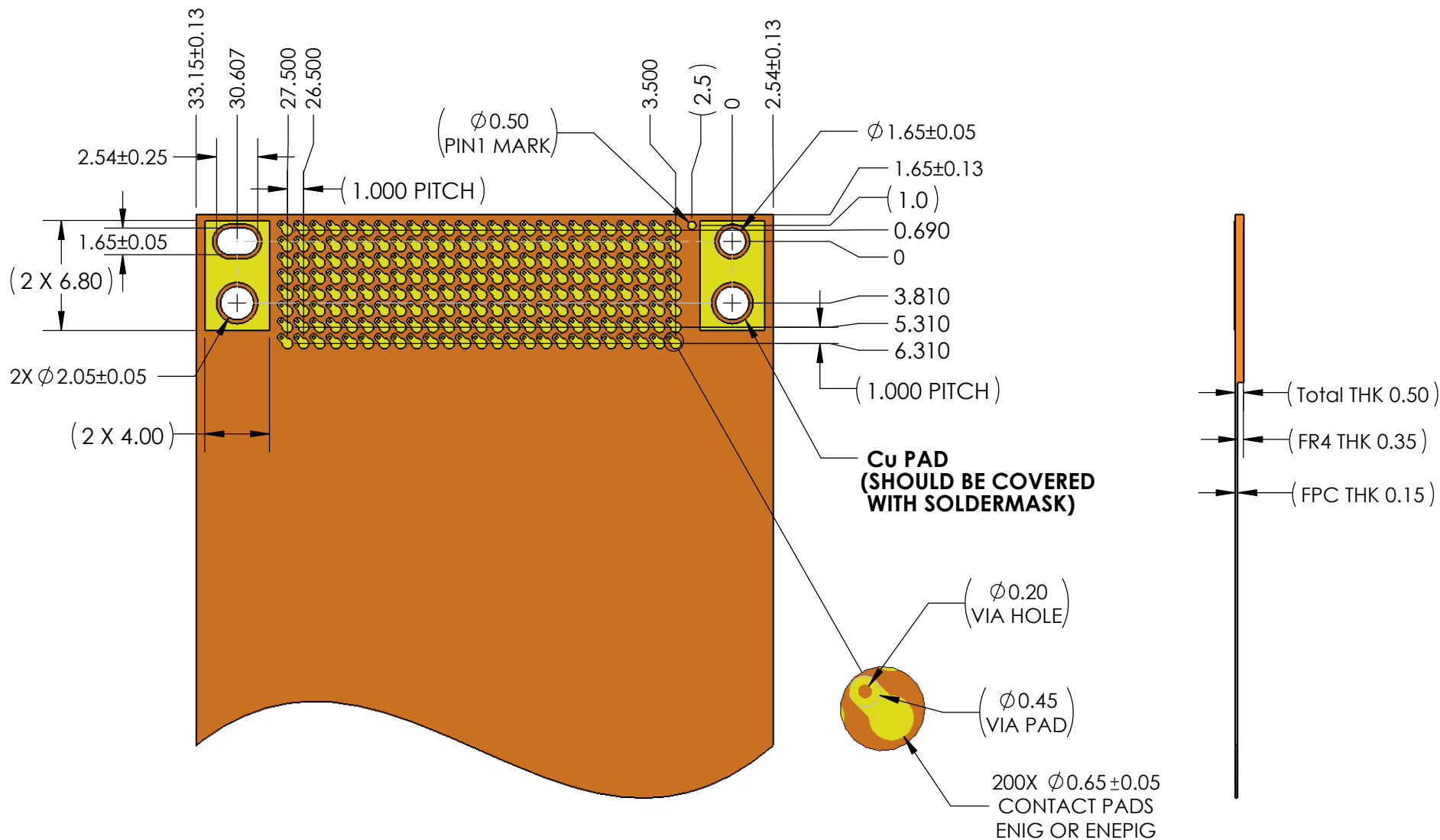
SIZE	DWG. NO.	REV.
A	SPH2-MD200A	1



RECOMMENDED BOARD FOOTPRINT

Notes:
 1. 150 MICRO INCH NI & 15 MICRO INCH HARD AU OR ENIG OR ENEPIG

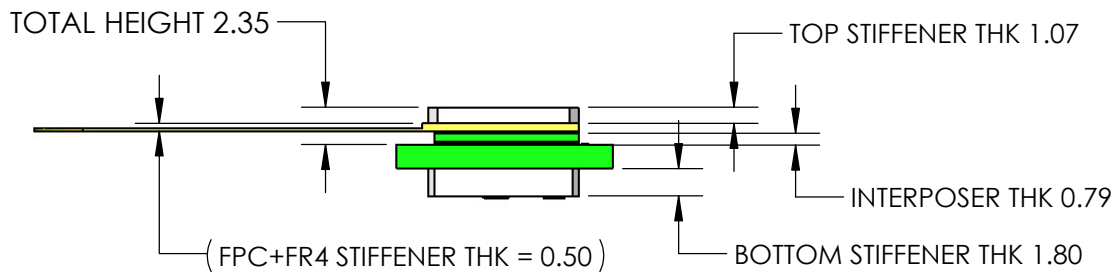
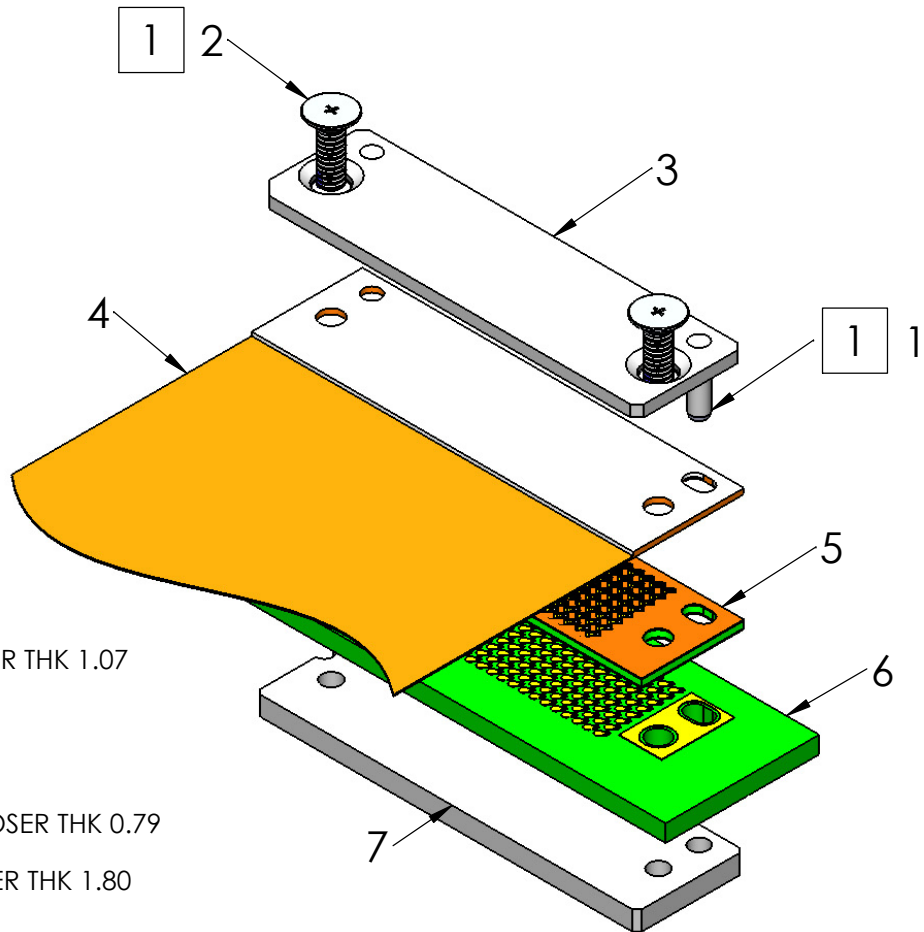
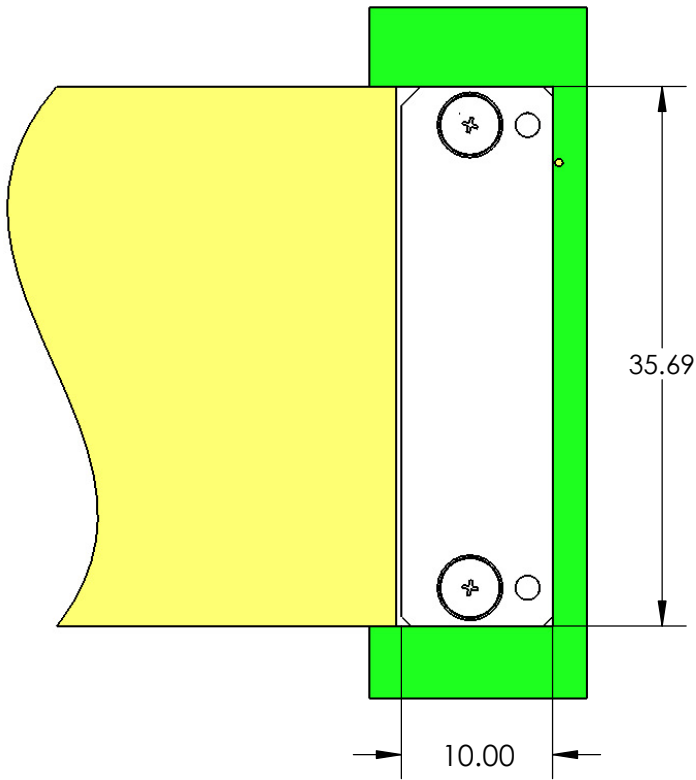
SIZE	A	DWG. NO.	SPH2-MD200A-PCB	REV.	1
SCALE:	2:1	WEIGHT:		SHEET 2 OF 6	



RECOMMENDED FPC FOOTPRINT

SIZE	A	DWG. NO.	SPH2-MD200A-FPC	REV.	1
	SCALE:2:1		WEIGHT:		SHEET 3 OF 6

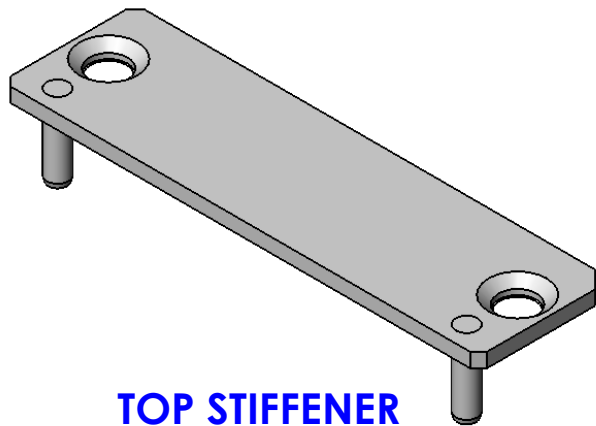
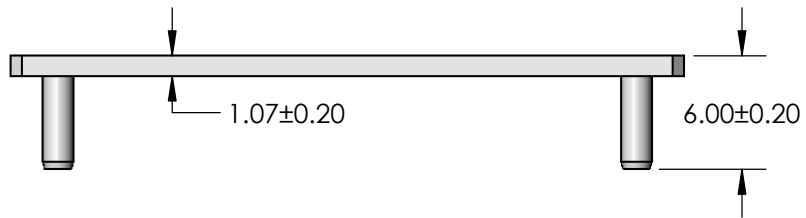
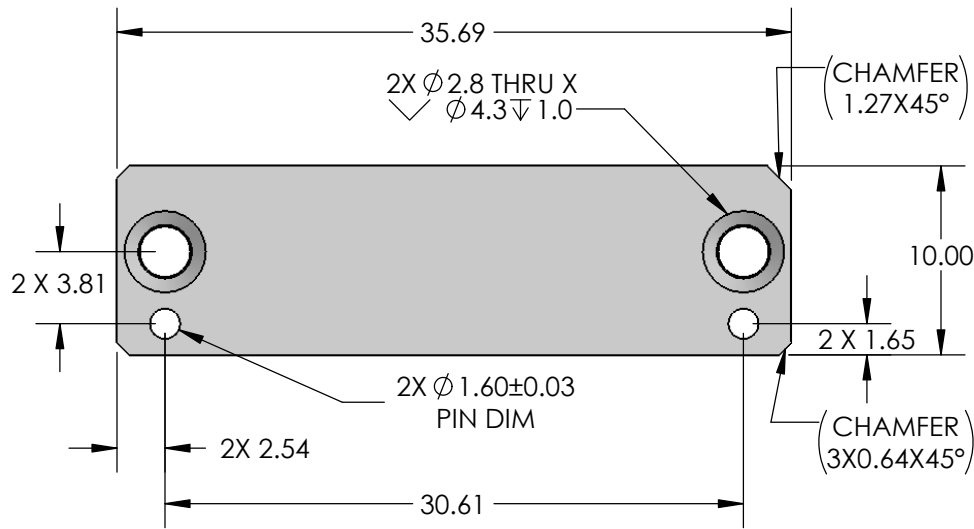
ITEM NO	Description	Default/QTY
1	Alignment PIN 1.6	2
2	M2.0 Screw	2
3	Top Stiffener	1
4	Flex	1
5	Interposer	1
6	PCB	1
7	Bottom Stiffener	1



NOTE:

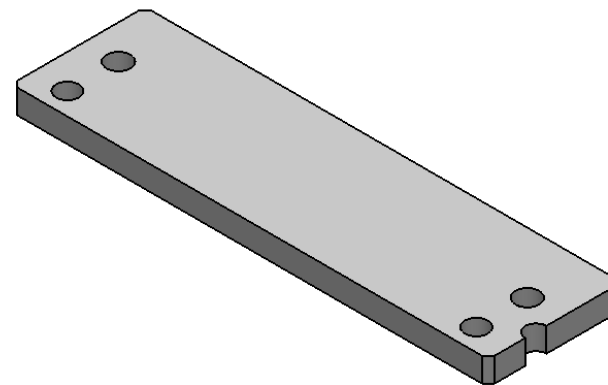
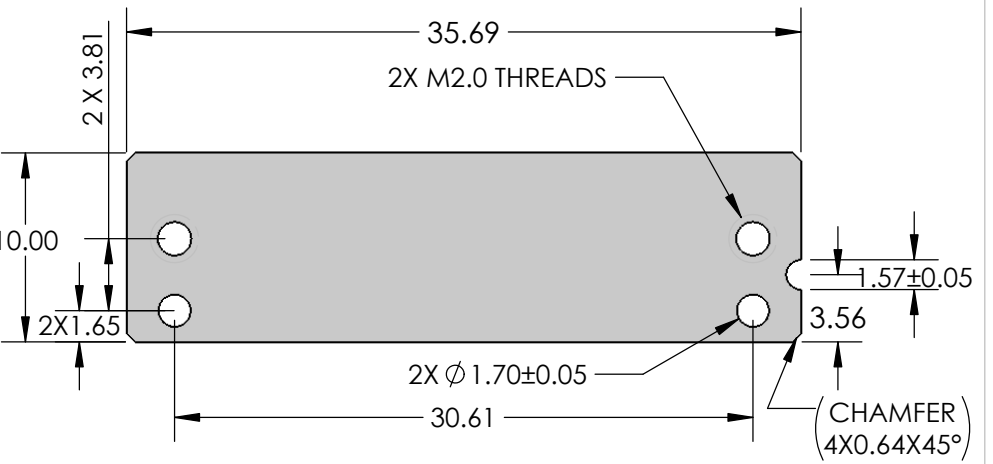
1 PIN / SCREW LENGTHS WILL DEPEND ON THE PCB THICKNESS.
SEE APPLICATION SPEC. AS-000017 FOR PRODUCT AND HARDWARE REQUIREMENTS.

SIZE A	DWG. NO. SPH2-MD200A-ASY	REV. 1
SCALE:2:1	WEIGHT:	SHEET 4 OF 6



TOP STIFFENER

P/N :B01-000624



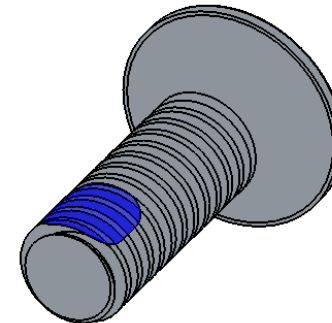
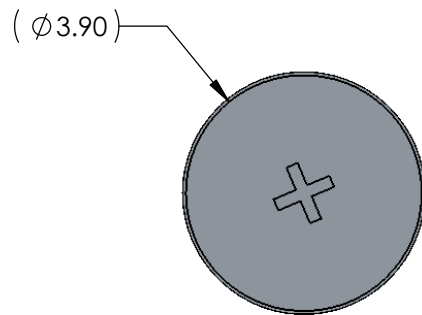
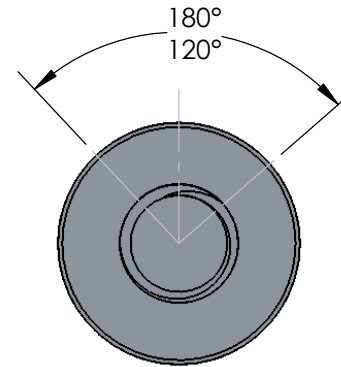
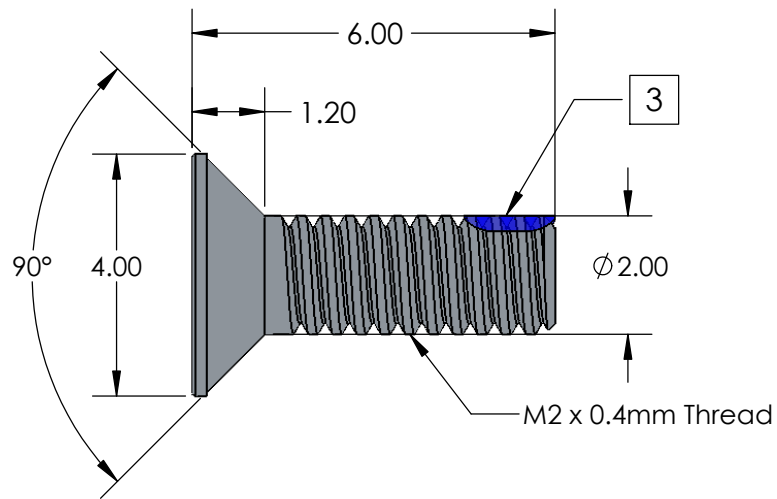
BOTTOM STIFFENER

P/N:B01-000628

Notes:

1. MATERIAL: SS304 OR SS316

SIZE	A	DWG. NO.	SPH1-D120A-STF	REV.	1
SCALE:2:1		WEIGHT:		SHEET 5 OF 6	



Notes:

1. FINISH: BRIGHT NICKEL PER ASTM B689-97, TYPE 2, CLASS 5.
2. MATERIAL: AISI 1018.
3. THREADLOCK: NYLOK-BLUE, FIRST 4-6 WHOLE THREADS, 120°-180° COVERAGE.
4. SCREW FIT TOLERANCE DOES NOT INCLUDE THREADLOCK.
5. PART TO BE FREE OF BURRS AND SHARP EDGES.

SIZE	A	DWG. NO.	B01-000630-L060	REV.	1
SCALE:2:1		WEIGHT:		SHEET 6 OF 6	