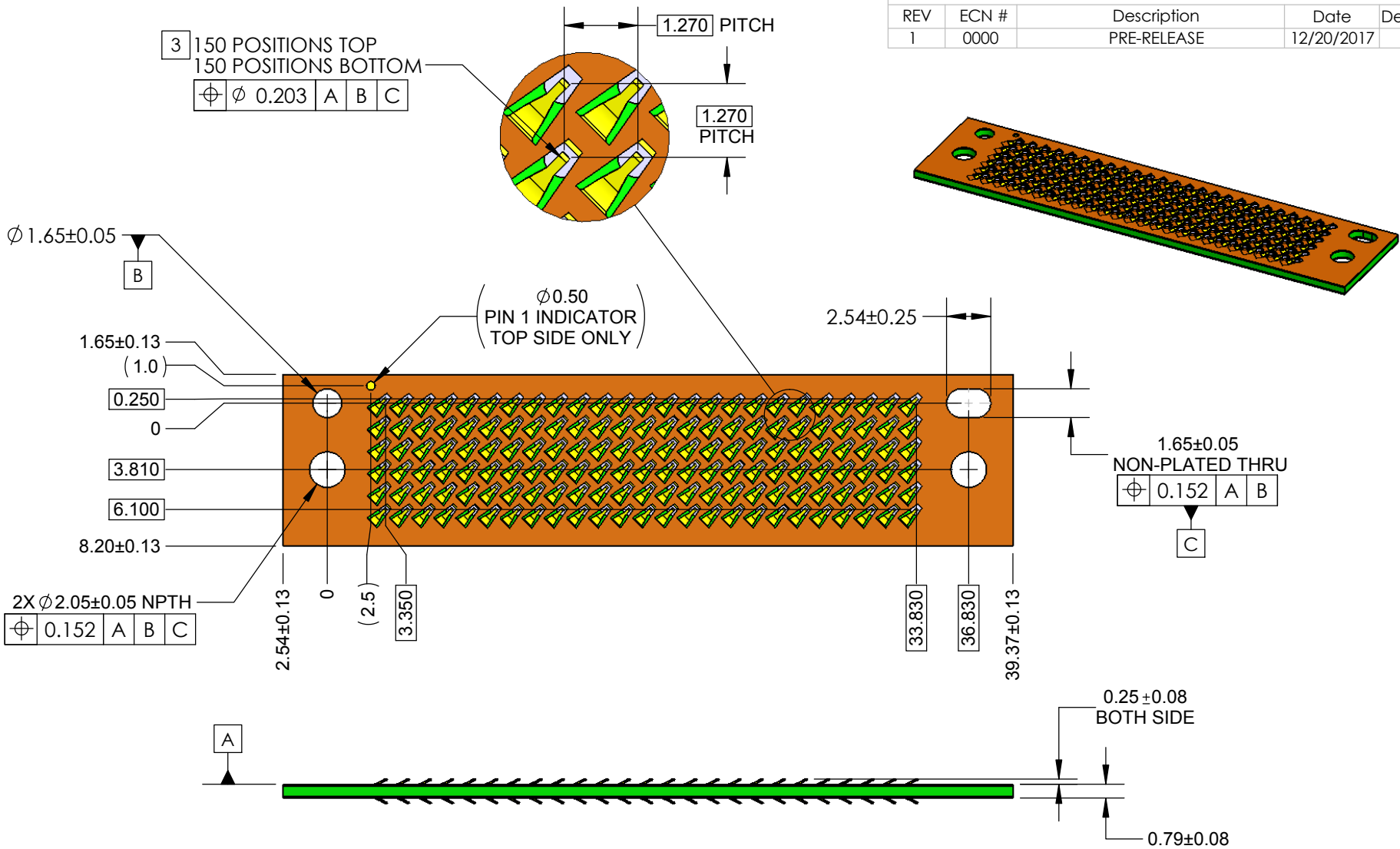


Revisions				
REV	ECN #	Description	Date	Design By
1	0000	PRE-RELEASE	12/20/2017	TAN



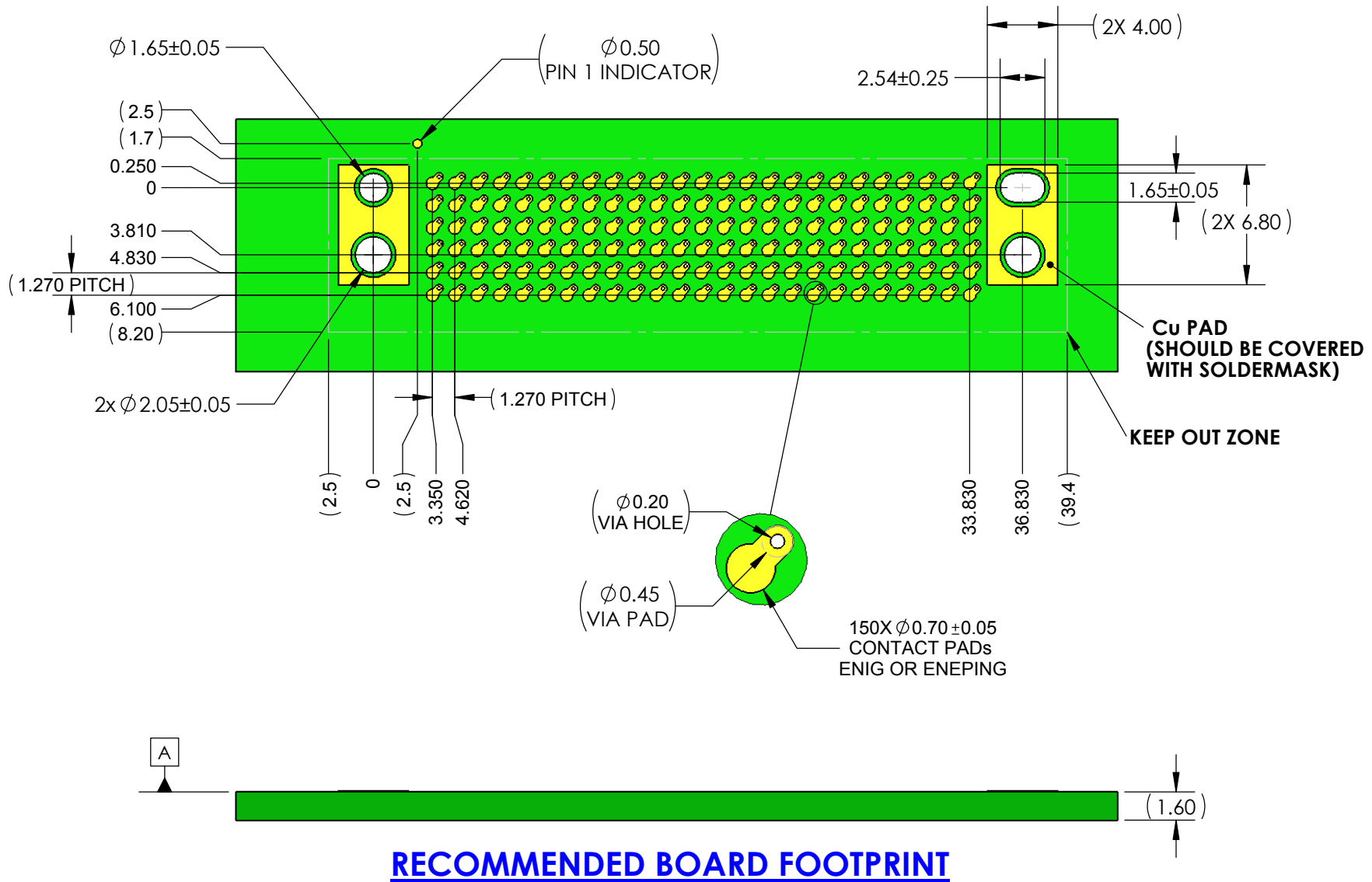
Notes:

- 1. DRAWING INTERPRETED PER ASME Y14.5-94.**
- 2. CONTACT PLATING: Ni/Au.**
- 3. CONTACT BEAM POSITIONS ARE AT COMPRESSED STAGE.**

DIMENSIONS ARE IN mm
TOLERANCES (unless otherwise specified):

ANGULAR: ± 2 degree
LINEAR: .X ± 0.13
.XX ± 0.08
.XXX ± 0.025

		NAME	DATE	4020 Moorpark Ave. Suite 108. San Jose, CA, 95117	
DESIGN BY	TAN NGUYEN	12/20/2017			
CHECKED					
Appr					
Release level	PRE-RELEASE		Title: INTERPOSER 1.27MM PITCH 150 POSITIONS LGA-LGA		
MATERIAL	--	COMMENTS:	projection	SIZE A	DWG. NO. SPH2-LF150A
FINISH		DO NOT SCALE DRAWING		SCALE:2:1	WGT: WEIGHT:
				REV. 1	SHEET 1 OF 6

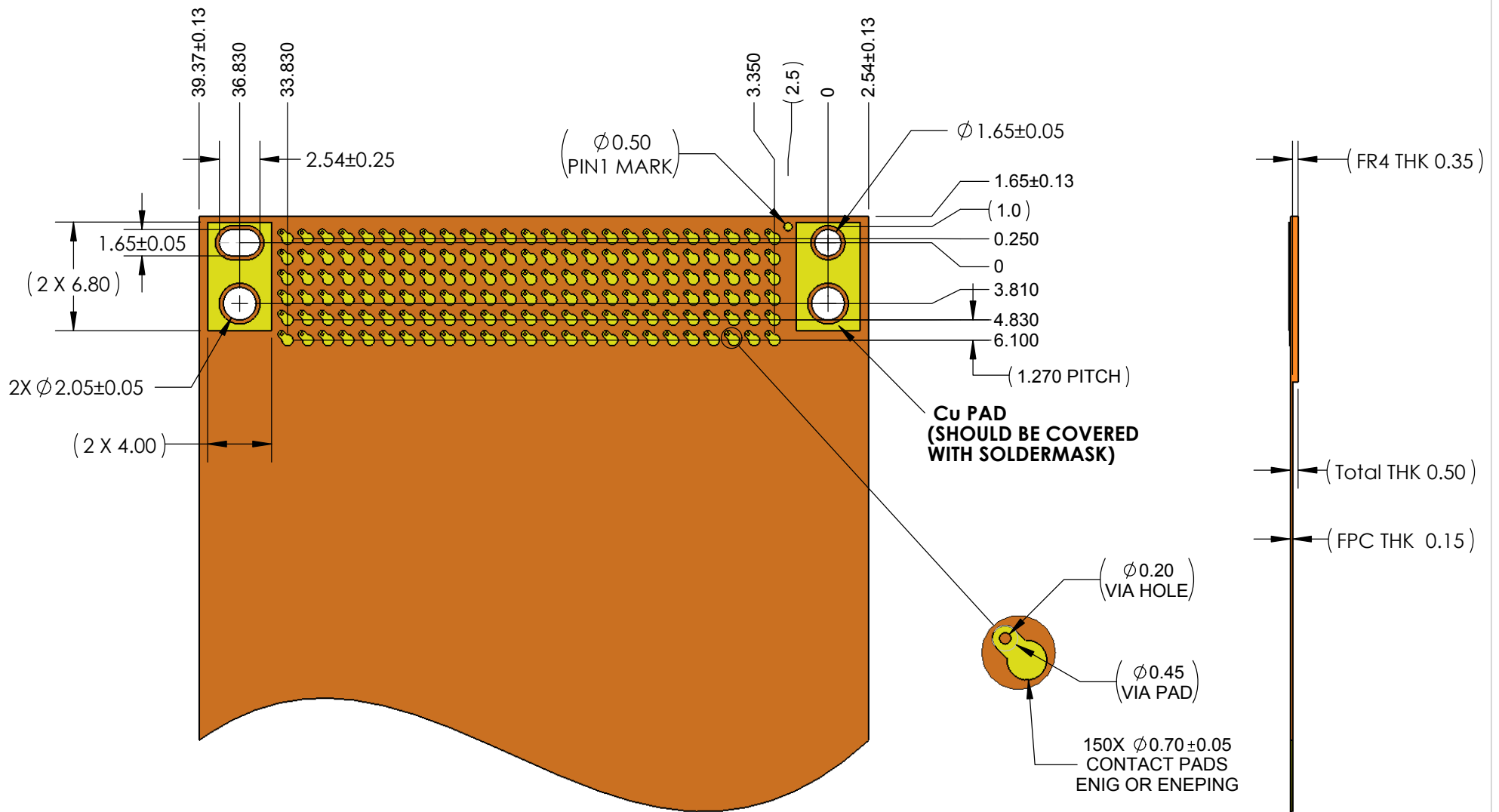


RECOMMENDED BOARD FOOTPRINT

Notes:

1. 150 MICRO INCH NI & 15 MICRO INCH HARD AU OR ENIG OR ENEPIG.

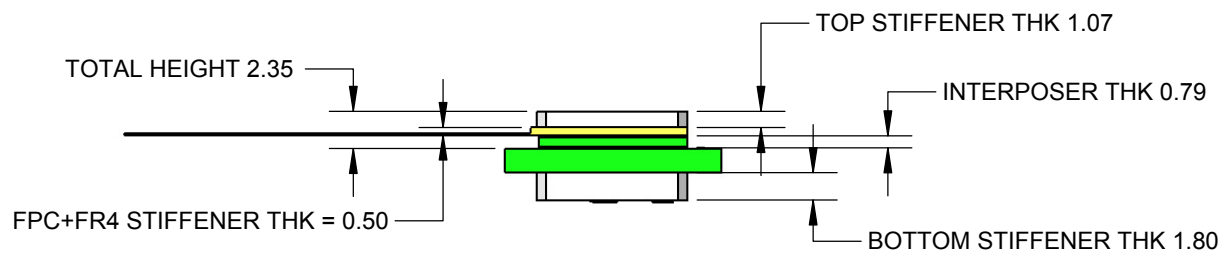
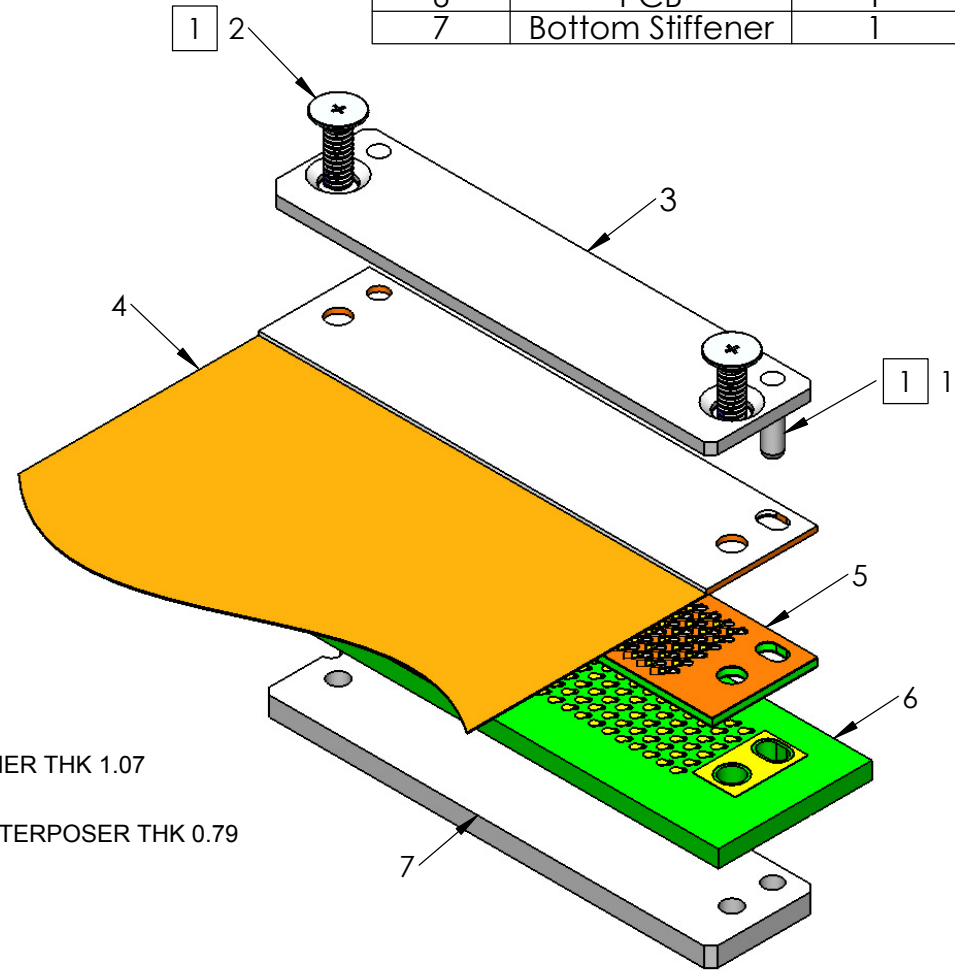
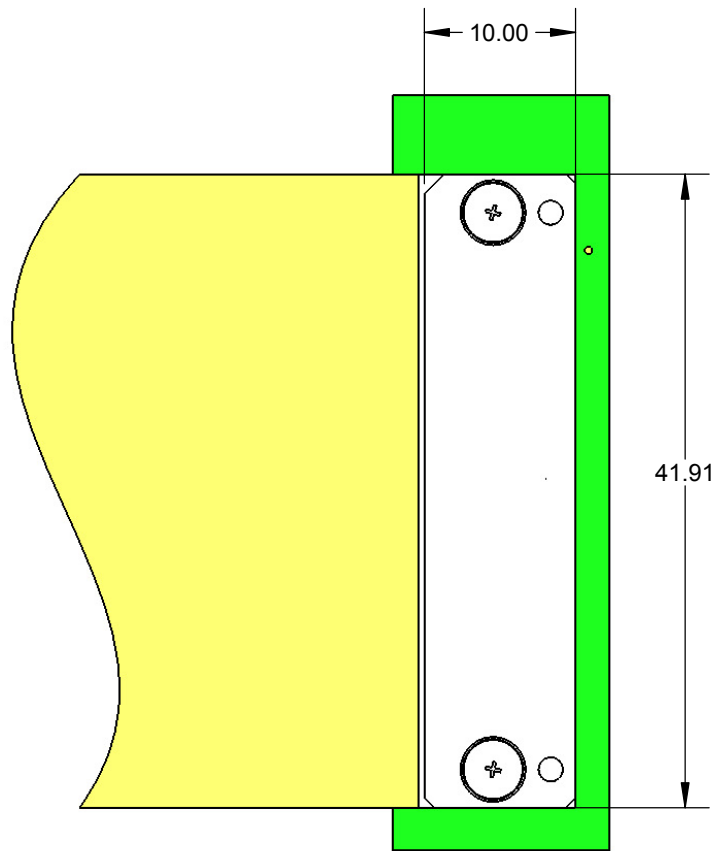
SIZE	A	DWG. NO.	SPH2-LF150A-PCB	REV.	1
SCALE:	2:1	WEIGHT:		SHEET 2 OF 6	



RECOMMENDED FPC FOOTPRINT

SIZE A	DWG. NO. SPH2-LF150A-FPC	REV. 1
SCALE:2:1	WEIGHT:	SHEET 3 OF 6

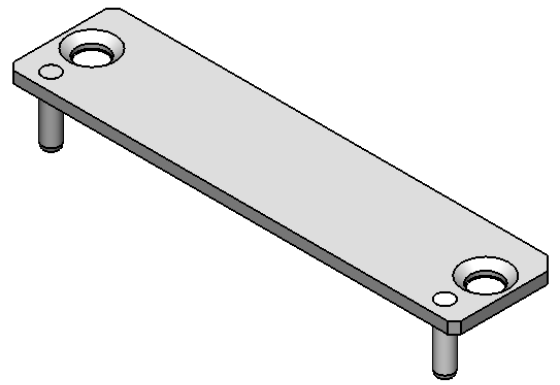
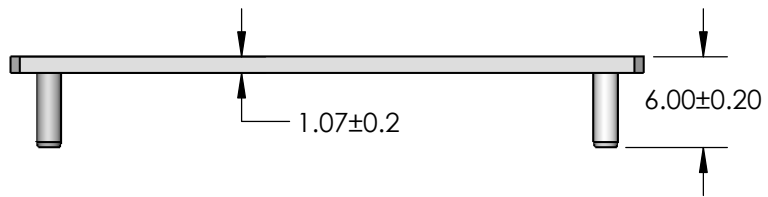
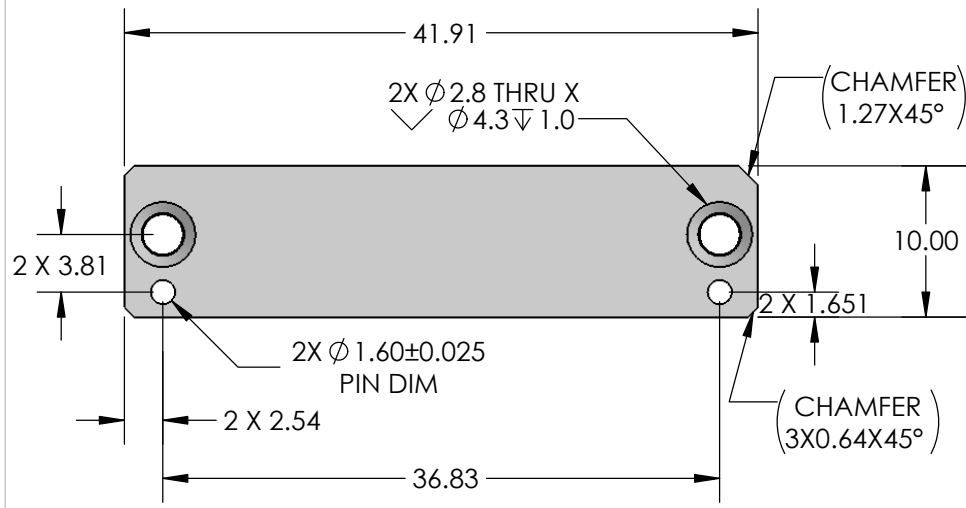
ITEM NO.	Description	Default/QTY
1	Alignment PIN 1.6	2
2	M2.0 Screw	2
3	Top Stiffener	1
4	Flex	1
5	Interposer	1
6	PCB	1
7	Bottom Stiffener	1



NOTE:

1 PIN / SCREW LENGTHS WILL DEPEND ON THE PCB THICKNESS.
SEE APPLICATION SPEC. AS-00017 FOR PRODUCT AND HARDWARE REQUIREMENTS.

SIZE A	DWG. NO. SPH2-LF150A-ASY	REV. 1
SCALE:2:1	WEIGHT:	SHEET 4 OF 6

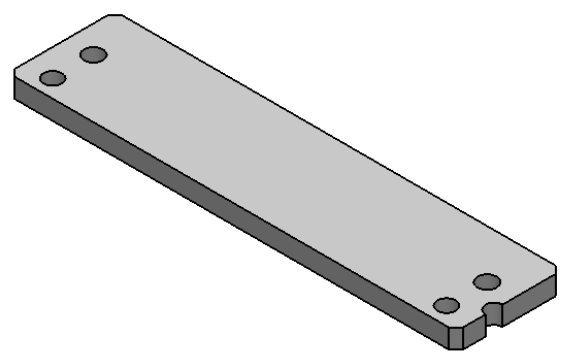
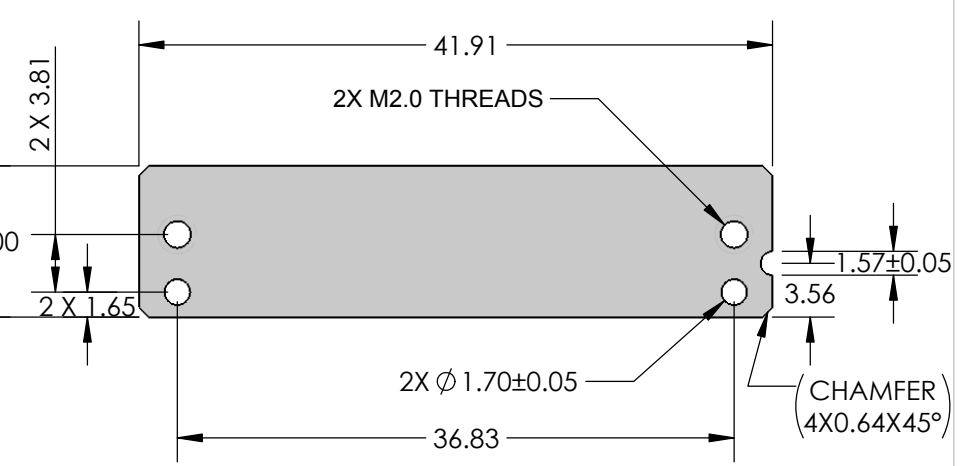


TOP STIFFENER

P/N: B01-000623

Notes:

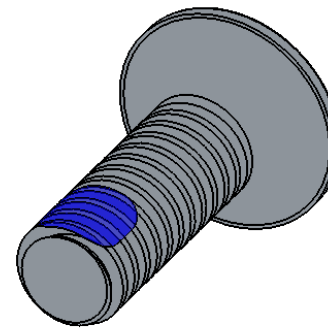
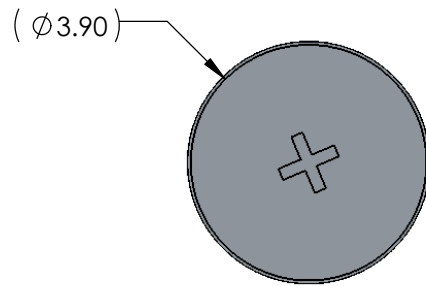
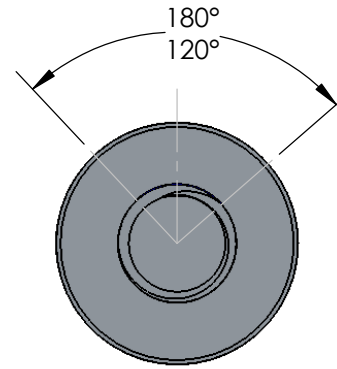
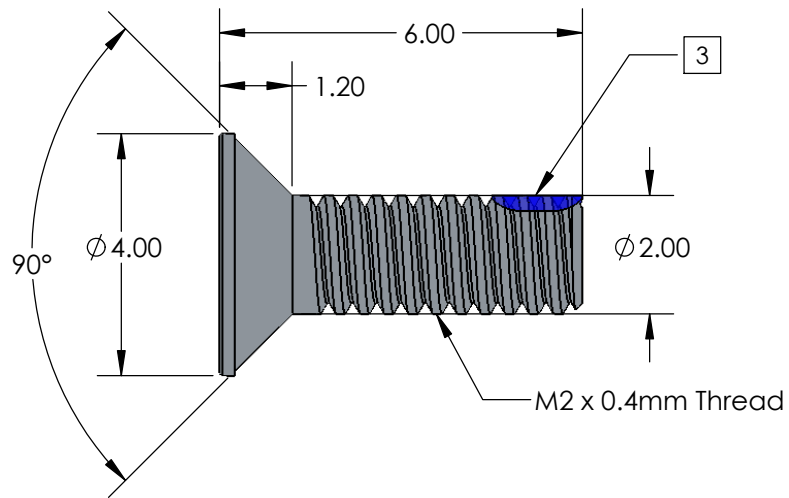
- 1. MATERIAL: SS304 OR SS316



BOTTOM STIFFENER

P/N: B01-000627

SIZE A	DWG. NO. SPH1-F120A-STF	REV. 1
SCALE: 2:1	WEIGHT:	SHEET 5 OF 6



Notes:

1. FINISH: BRIGHT NICKEL PER ASTM B689-97, TYPE 2, CLASS 5
2. MATERIAL: AISI 1018
- 3] THREADLOCK: NYLON-BLUE, FIRST 4-6 WHOLE THREADS, 120°-180° COVERAGE.
4. SCREW FIT TOLERANCE DOES NOT INCLUDE THREADLOCK.
5. PART TO BE FREE OF BURRS AND SHARP EDGES.

SIZE	A	DWG. NO.	B01-000630-L060	REV.	1
SCALE:12:1		WEIGHT:		SHEET 6 OF 6	