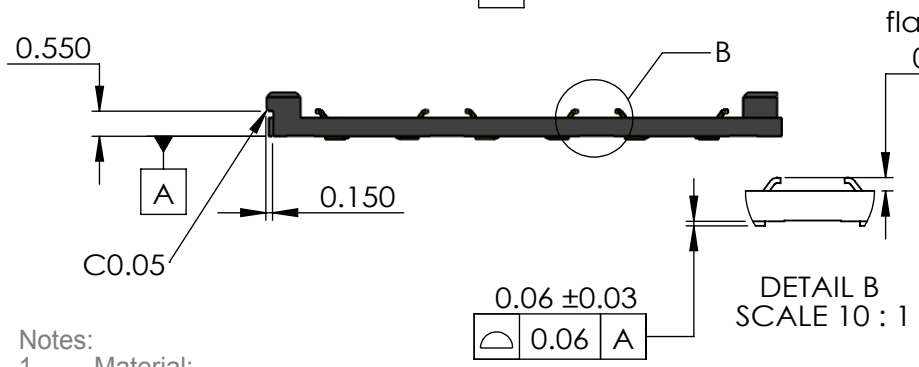
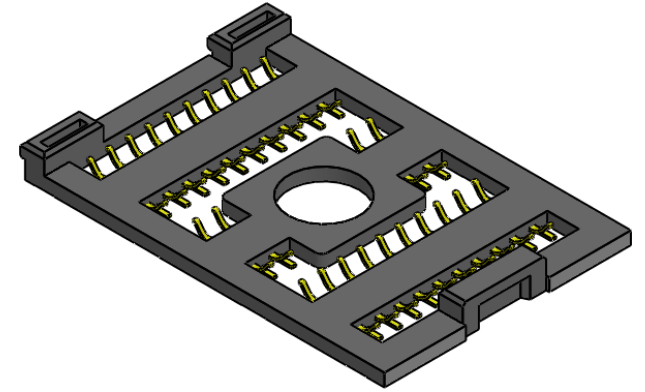
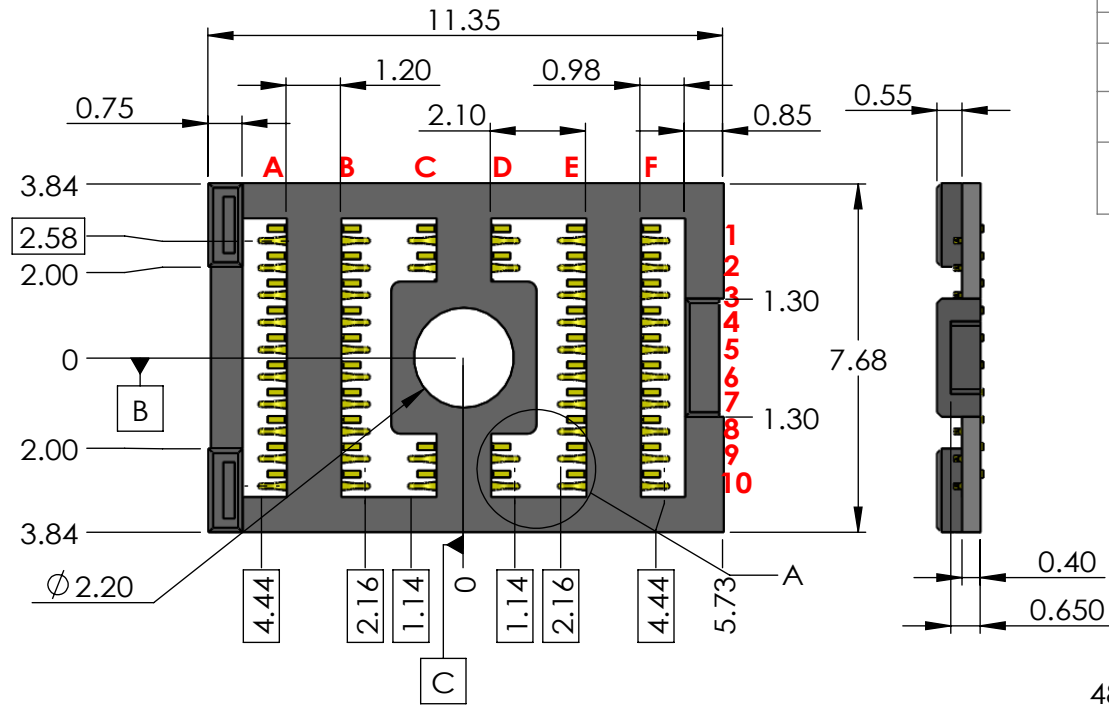
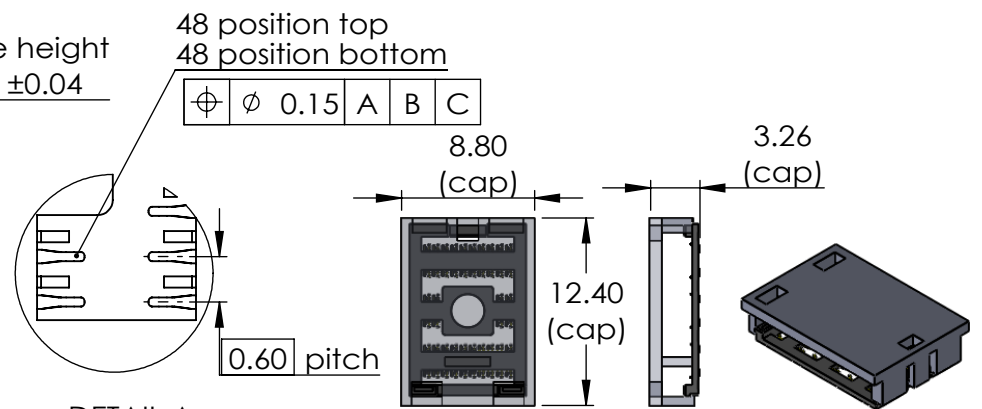


Revisions			
REV	ECN #	Description	Date
H	R20150009	Update Note 4 & Change Tape & Reel Color to Transparent	12/11-2015
J	R20150011	Increase recommend PCB pad size & solder tail height for better solderability	12/23-2015
K	R20160020	Modify housing, stiffener, FPC pad and PCB pad dimension; Change component load per 13" reel from 1200 pcs to 1000	06/24-2016

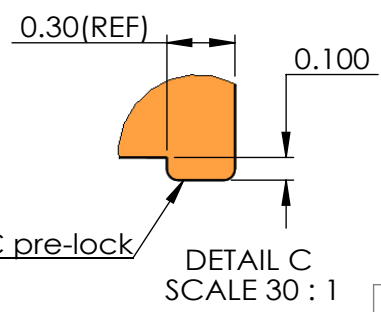
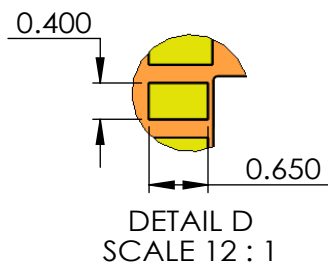
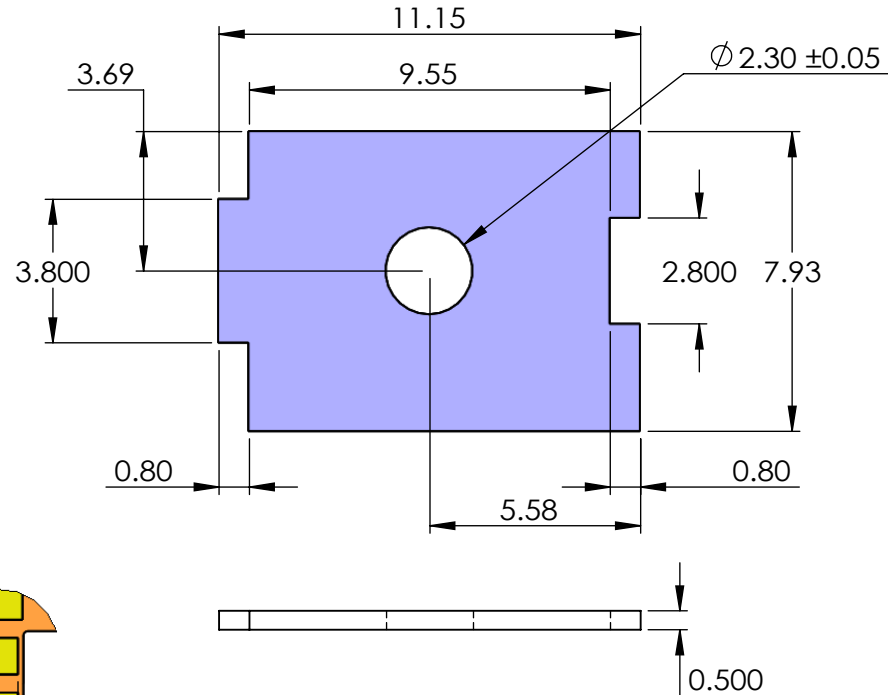
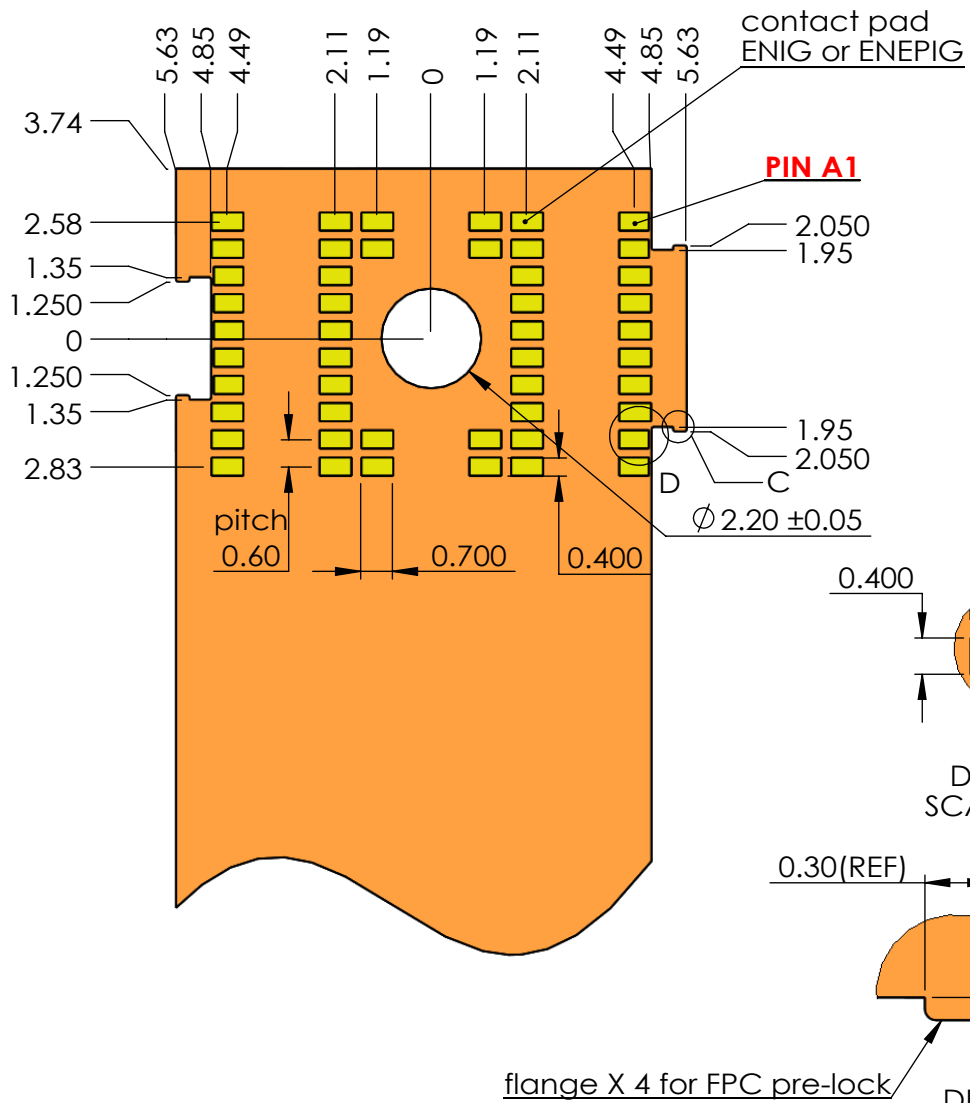


- Notes:
- Material:
 Contacts: High performance copper alloy.
 Housing: LCP resin, Glass fiber filled, UL94V-0 rated, black color.
 Plating: 5 u" min gold plated on contact tip, gold flash on solder tail area, 70 ± 30 u" nickel underplated.
 - This product compliants with European Union directives of RoHS requirements.
 - The product can withstand exposure peak temperature 260C for 10 sec in SMT soldering process.
 - Recommended stencil thickness no thinner than 0.1mm, solder past opening no less than recommend pad size.



Connector with cap

DIMENSIONS ARE IN mm TOLERANCES (unless otherwise specified): ANGULAR: ± 2 degree LINEAR: .X ± 0.15 .XX ± 0.08 .XXX ± 0.04		NAME: Jason Wu DATE: 12/23-2015		聯能科技 Unimicron Group	
MATERIAL: See note 1 FINISH: gold		CHECKED: Gary Hsieh DATE: 12/23-2015 Appr: Gary Hsieh DATE: 12/23-2015			
COMMENTS: DO NOT SCALE DRAWING		Release level: Production		Title: 48 pos X-Beam interposer (0.6 mm pitch, M2.0 screw)	
projection		SIZE: A		DWG. NO. XBGC5007	
		SCALE: 5:1		WEIGHT:	
				SHEET 1 OF 6	



Material: SUS304

Recommend FPC stiffener

Recommend FPC footprint

- Note:
1. The stiffener is to align with connector housing when final assembly.
 2. The alignment tolerance for FPC & stiffener is ± 0.075 mm.
Based on left notch (1.250+1.250)&right protrusion (2.050+2.050) feature.
 3. Solder mask opening min: 0.50 x 0.80 mm min.

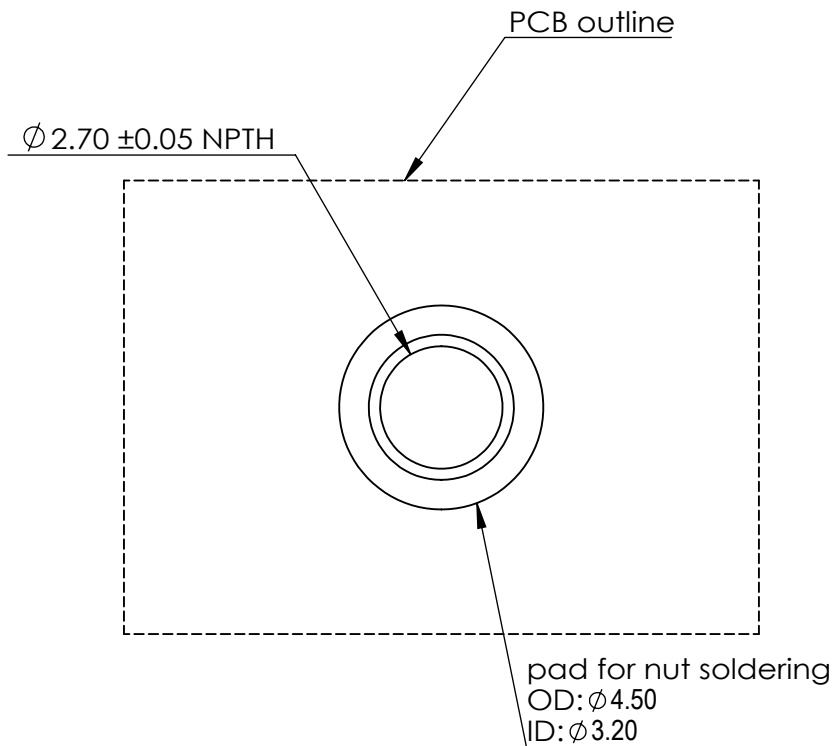
DIMENSIONS ARE IN mm
TOLERANCES (unless otherwise specified):

ANGULAR: ± 2 degree
 LINEAR: .X ± 0.15
 .XX ± 0.08
 .XXX ± 0.04

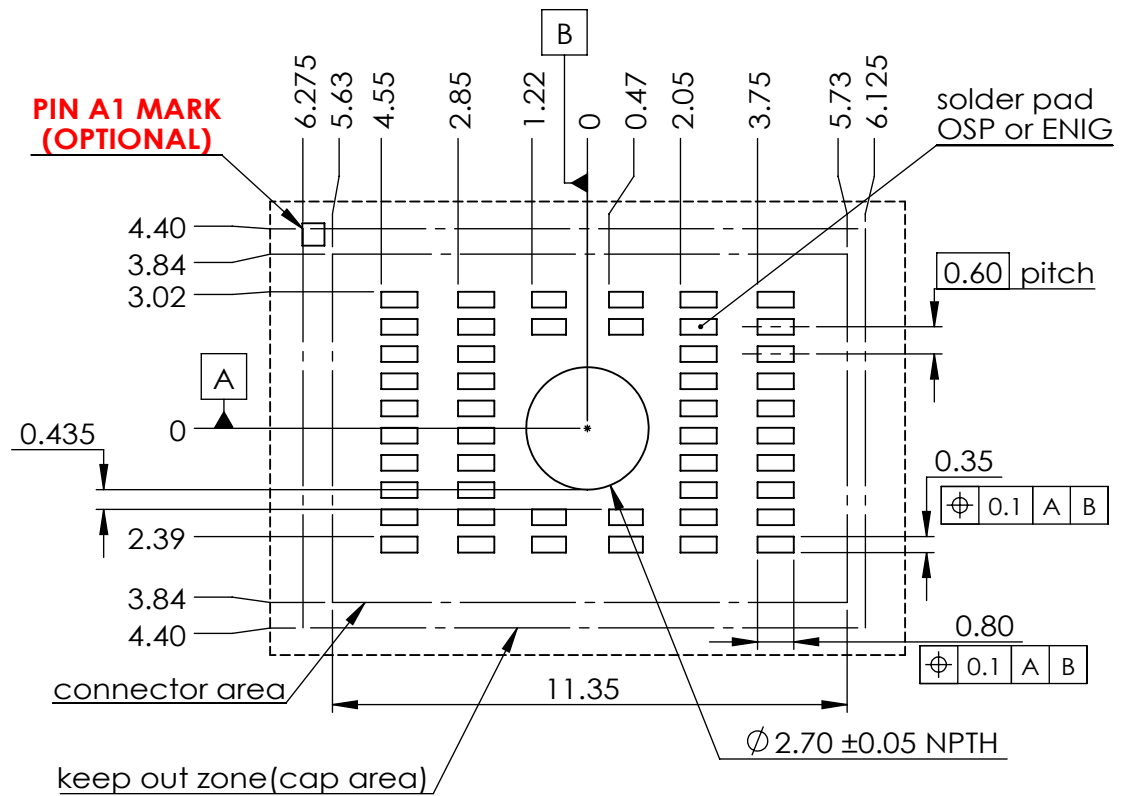
聯能科技 Unimicron Group

Title:
48 pos X-Beam interposer
(0.6 mm pitch, M2.0 screw)

SIZE A	DWG. NO. XBGC5007	REV. k
SCALE:5:1	WEIGHT:	SHEET 2 OF 6



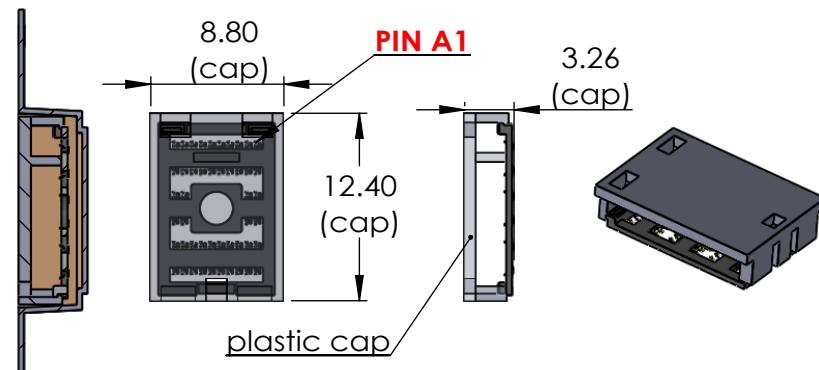
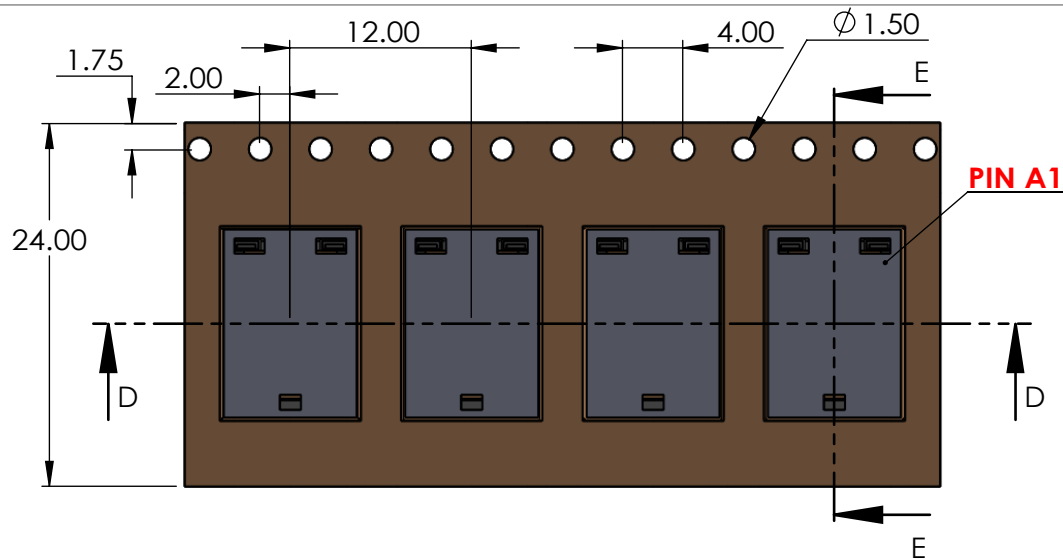
Back side



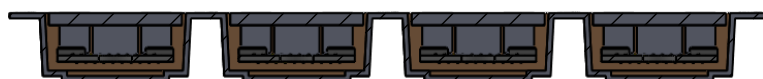
Front side

Recommend PCB footprint

DIMENSIONS ARE IN mm TOLERANCES (unless otherwise specified): ANGULAR: ± 2 degree LINEAR: .X ± 0.15 .XX ± 0.08 .XXX ± 0.04		聯能科技 Unimicron Group	
Title: 48 pos X-Beam interposer (0.6 mm pitch, M2.0 screw)		SIZE A	
DWG. NO. XBGCB5007		REV. k	
SCALE:5:1	WEIGHT:	SHEET 3 OF 6	

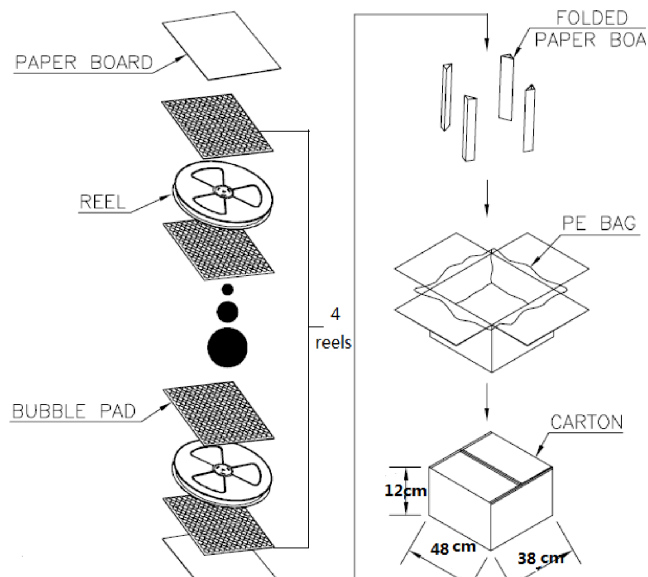


Connector with cap



SECTION D-D
SCALE 2 : 1

Tape & reel



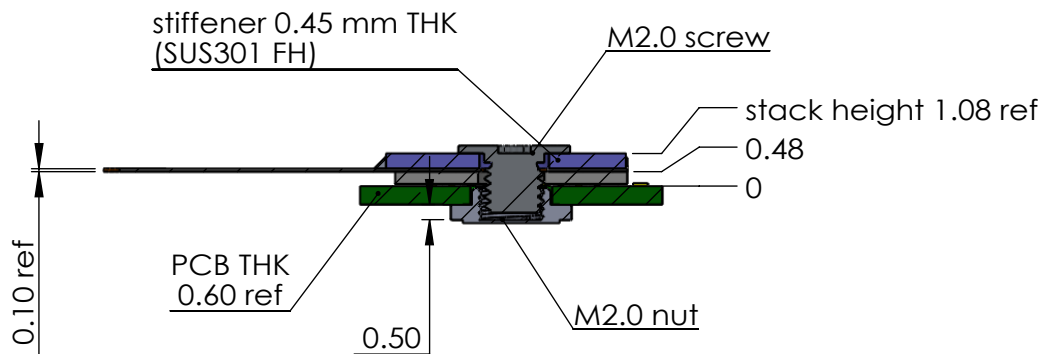
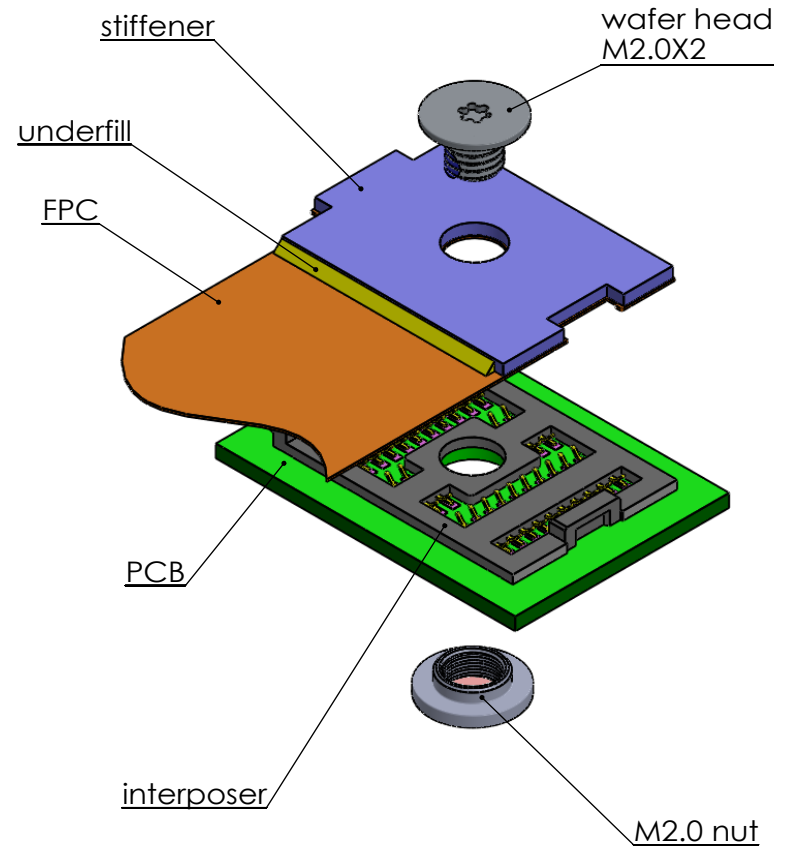
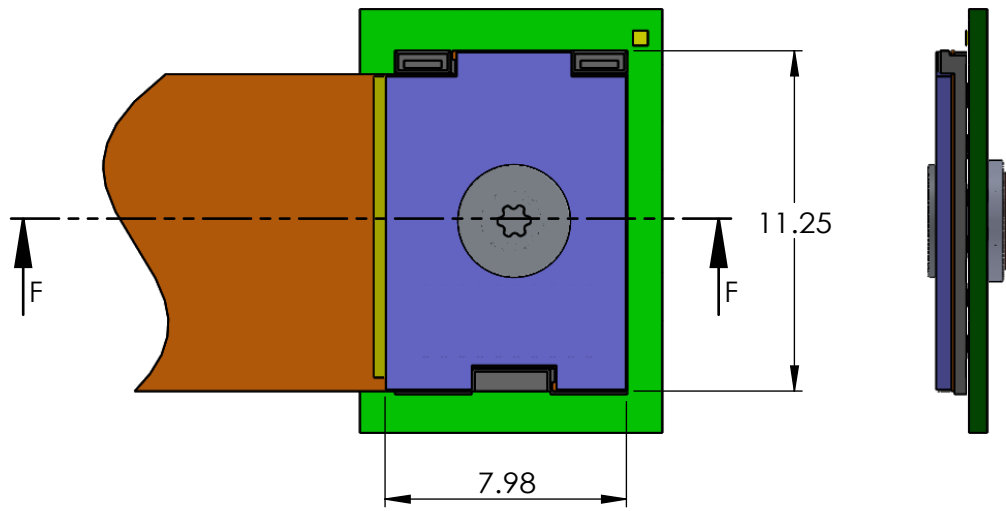
Package

1. 10 sprocket hole pitch cumulative tolerance ± 0.20 .
2. Carrier camber is within 1 mm in 250 mm.
3. Material : Transparent Polystyrene(PS).
4. All dimensions meet EIA-481-D requirements.
5. Thickness : 0.30 ± 0.05 mm.
6. Packing length per 13" reel : 15.5 Meters.(RUR-24-3-XL)
7. Component load per 13" reel : 1000 pcs, 4 reel/carton (48cm*38cm*12cm)

聯能科技 Unimicron Group

Title:
48 pos X-Beam interposer (0.6 mm pitch, M2.0 screw)-package

SIZE	A	PART. NO. XBGC5007	REV. k
SCALE:5:1	WEIGHT:	SHEET 4 OF 6	

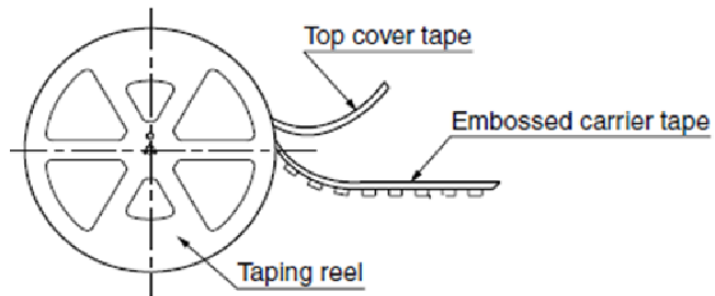


SECTION F-F
SCALE 4 : 1

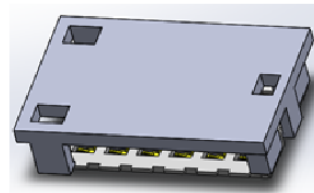
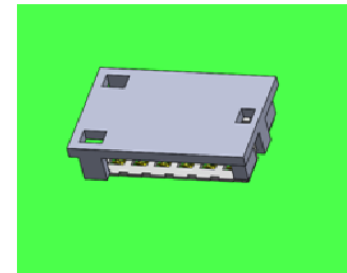
聯能科技 Unimicron Group

Title:
48 pos X-Beam interposer
(0.6 mm pitch, M2.0 screw)

SIZE	A	DWG. NO. XBGC5007	REV. k
SCALE:	5:1	WEIGHT:	SHEET 5 OF 6

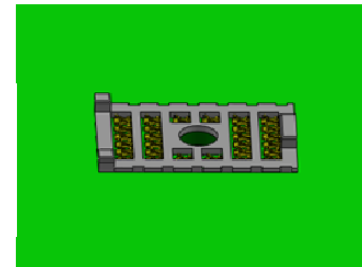


SMT

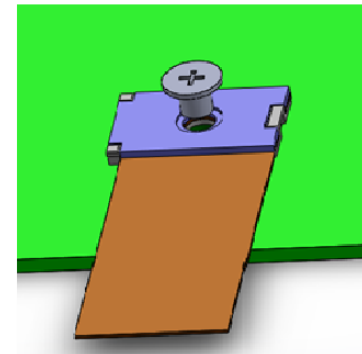


Connector with cap

Remove cap
before FPC
assy



Place FPC &
screw lock



- Tape & reel or tray package for auto-SMT process on board.

package and assembly process

聯能科技 Unimicron Group

Title:
48 pos X-Beam interposer
(0.6 mm pitch, M2.0 screw)

SIZE	A	DWG. NO. XBGC5007	REV. k
SCALE:5:1		WEIGHT:	SHEET 6 OF 6