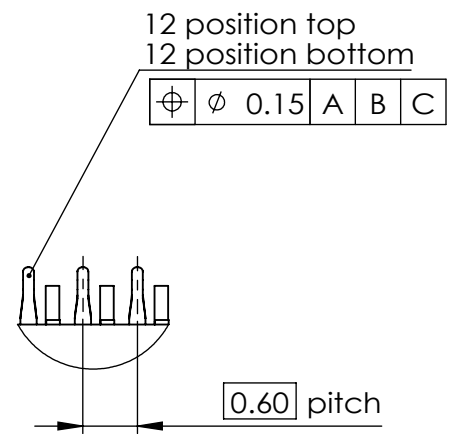
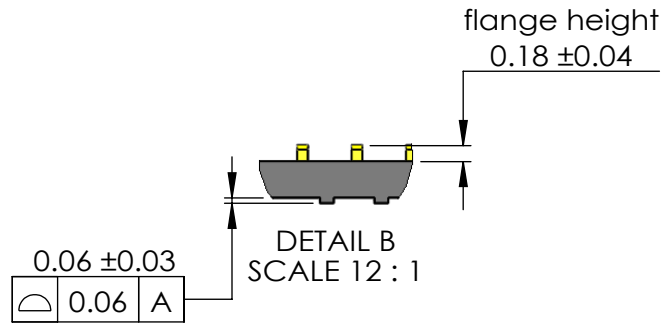
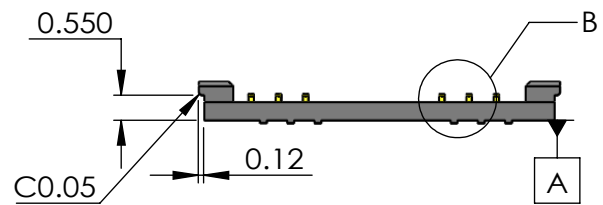
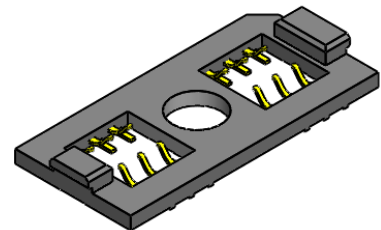
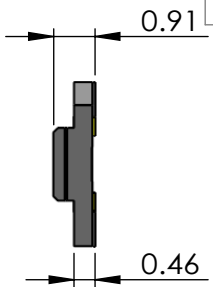
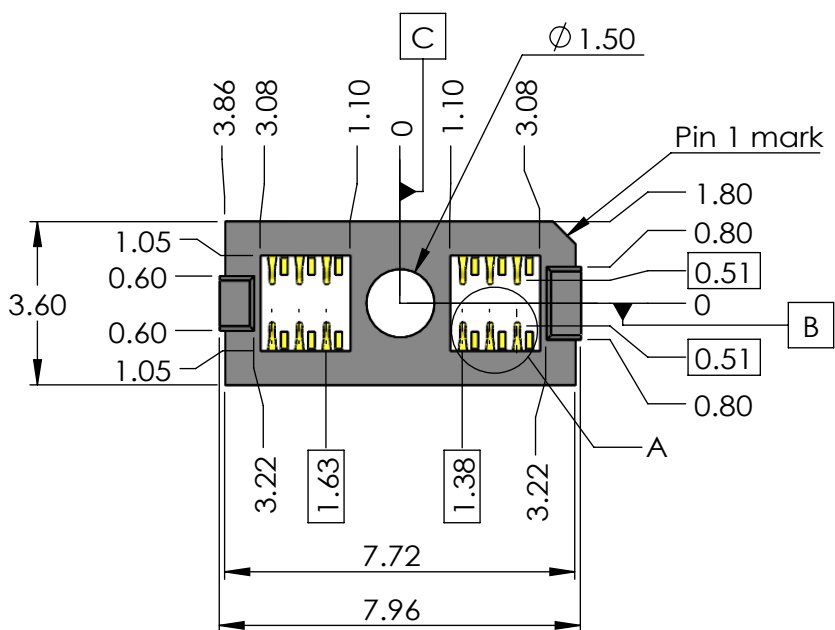
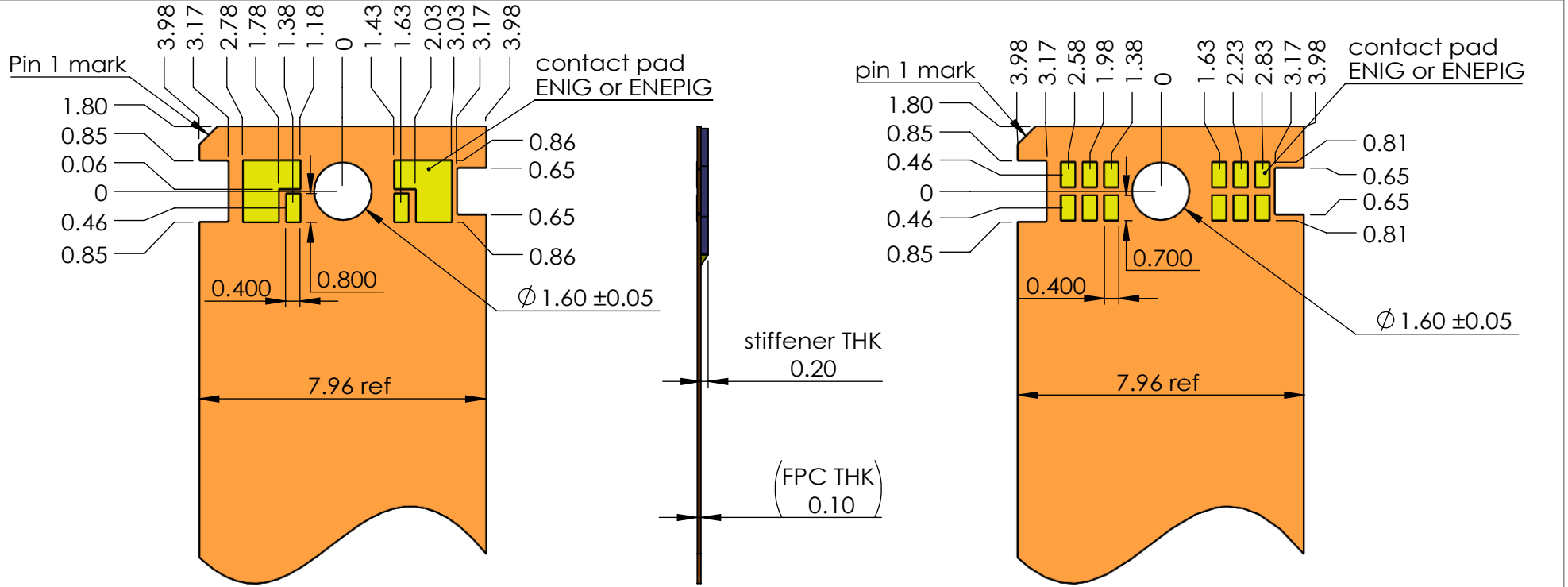


Revisions			
REV	ECN #	Description	Date
4		Increase housing width to 7.96 mm	02/15-2016
5		Update package spec	02/24-2016
6		Update flange position, update FPC & PCB footprint size and position, add pinA1 mark on the PCB.	05/23-2016



- Notes:
- Material:  
 Contacts: High performance copper alloy.  
 Housing: LCP resin, Glass fiber filled, UL94V-0 rated, black color.  
 Plating: 5 u" min gold plated on contact tip, gold flash on soldertail area, 70 ± 30 u" nickel underplated.
  - This product compliants with European Union directives of RoHS requirements.
  - The product can withstand exposure peak temperature 260C for 10 sec in SMT soldering process.
  - Recommended stencil thickness no thinner than 0.1mm.
  - Component load per 13" reel : 1200 pcs, 4 reel/carton (48cm\*38cm\*12cm)

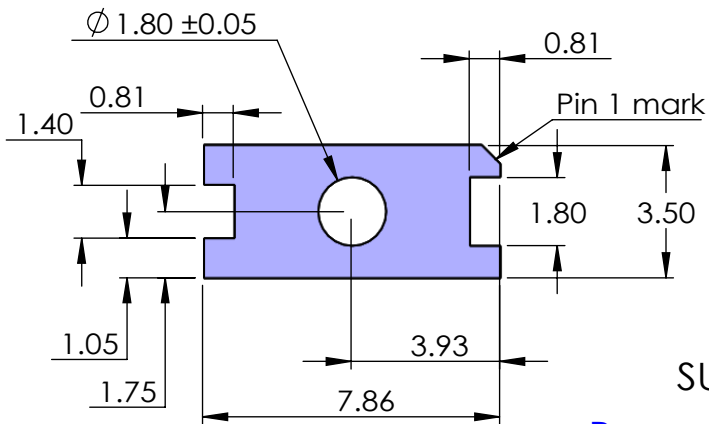
DIMENSIONS ARE IN mm TOLERANCES (unless otherwise specified):			NAME		DATE		聯能科技 Unimicron Group	
ANGULAR: ± 2 degree LINEAR: .X ±0.15 .XX ±0.08 .XXX ±0.04			DRAWN Jason Wu		08/20-2015			
			CHECKED Gary Hsieh		08/20-2015		Title: 12 pos X-Beam interposer (0.6 mm pitch, M1.2 screw)	
			Appr Gary Hsieh					
			Release level		Preliminary			
MATERIAL See note 1			COMMENTS:		projection			
FINISH gold			DO NOT SCALE DRAWING		SIZE A		DWG. NO. XBGC001	
					SCALE:5:1		WEIGHT:	
							SHEET 1 OF 6	



0.5 ounce copper x 2 layer  
for 5 A power application

for signal application

## Recommend FPC footprint



SUS301 H or SUS304

Recommend FPC stiffener

Note:

1. The stiffener is to align with connector housing when final assembly.
2. The alignment tolerance for FPC & stiffener is  $\pm 0.075\text{mm}$ . (based on center of screw holes)

DIMENSIONS ARE IN mm  
TOLERANCES (unless otherwise specified):

ANGULAR:  $\pm 2$  degree  
LINEAR: .X  $\pm 0.15$   
.XX  $\pm 0.08$   
.XXX  $\pm 0.04$

聯能科技 Unimicron Group

Title:  
12 pos X-Beam interposer  
(0.6 mm pitch, M1.2 screw)

SIZE **A**

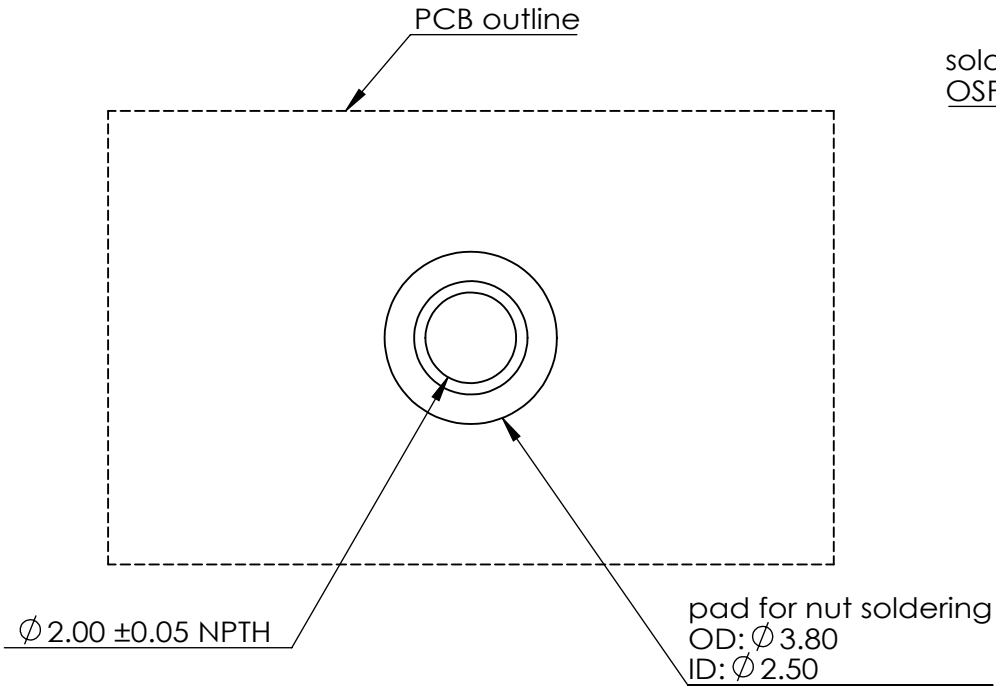
DWG. NO. XBGCAA001

REV.  
6

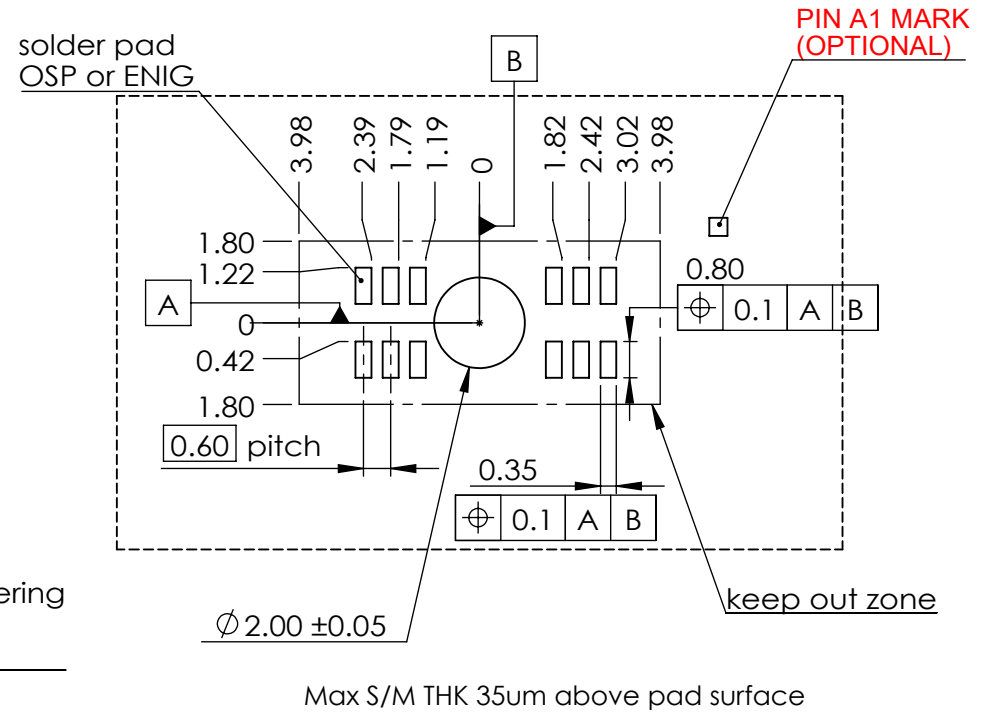
SCALE:5:1

WEIGHT:

SHEET 2 OF 6



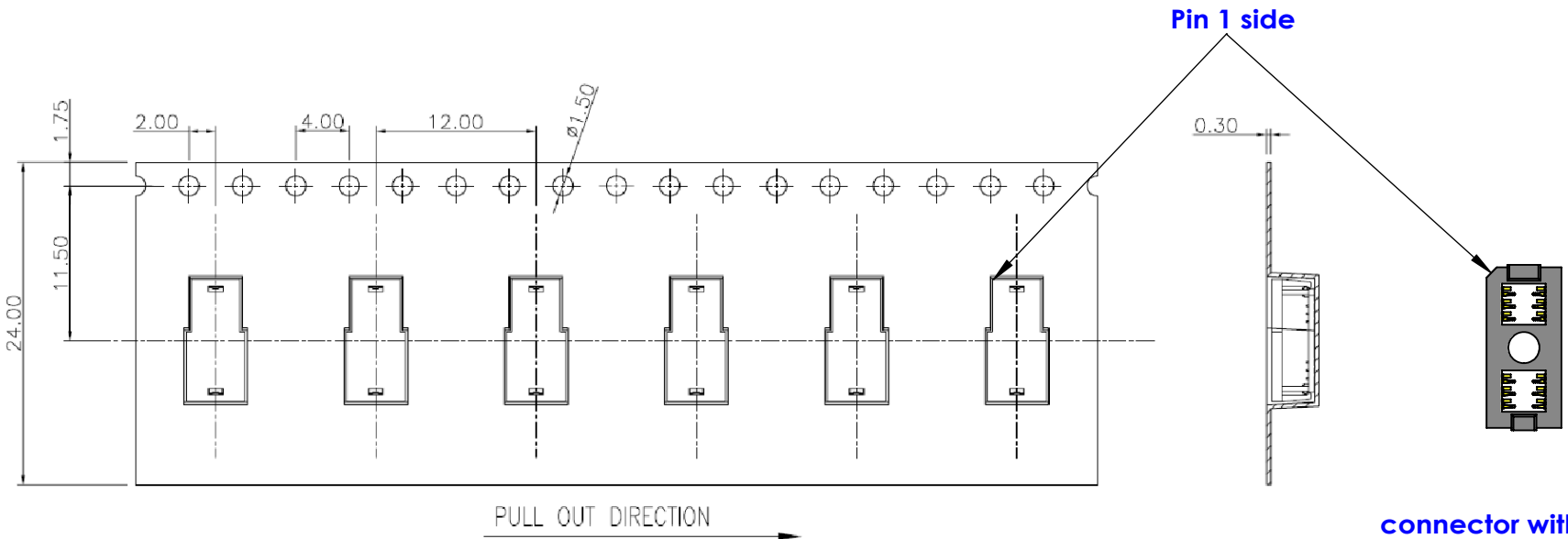
**Back side**



**Front side**

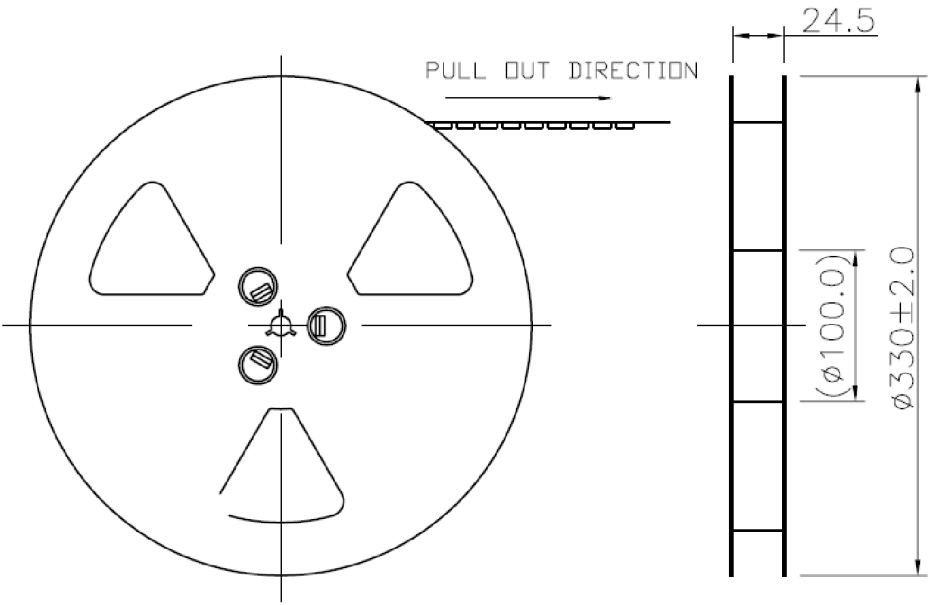
**Recommend PCB footprint**

DIMENSIONS ARE IN mm TOLERANCES (unless otherwise specified): ANGULAR: $\pm 2$ degree LINEAR: .X $\pm 0.15$ .XX $\pm 0.08$ .XXX $\pm 0.04$		<b>聯能科技 Unimicron Group</b> Title: 12 pos X-Beam interposer (0.6 mm pitch, M1.2 screw)	
SIZE	<b>A</b>	DWG. NO.	XBGCAA001
SCALE:	5:1	WEIGHT:	
			REV. 6
			SHEET 3 OF 6



Pin 1 side

connector without cap



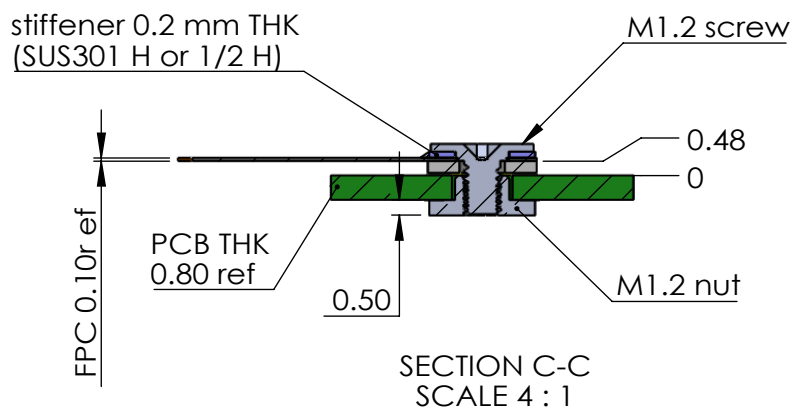
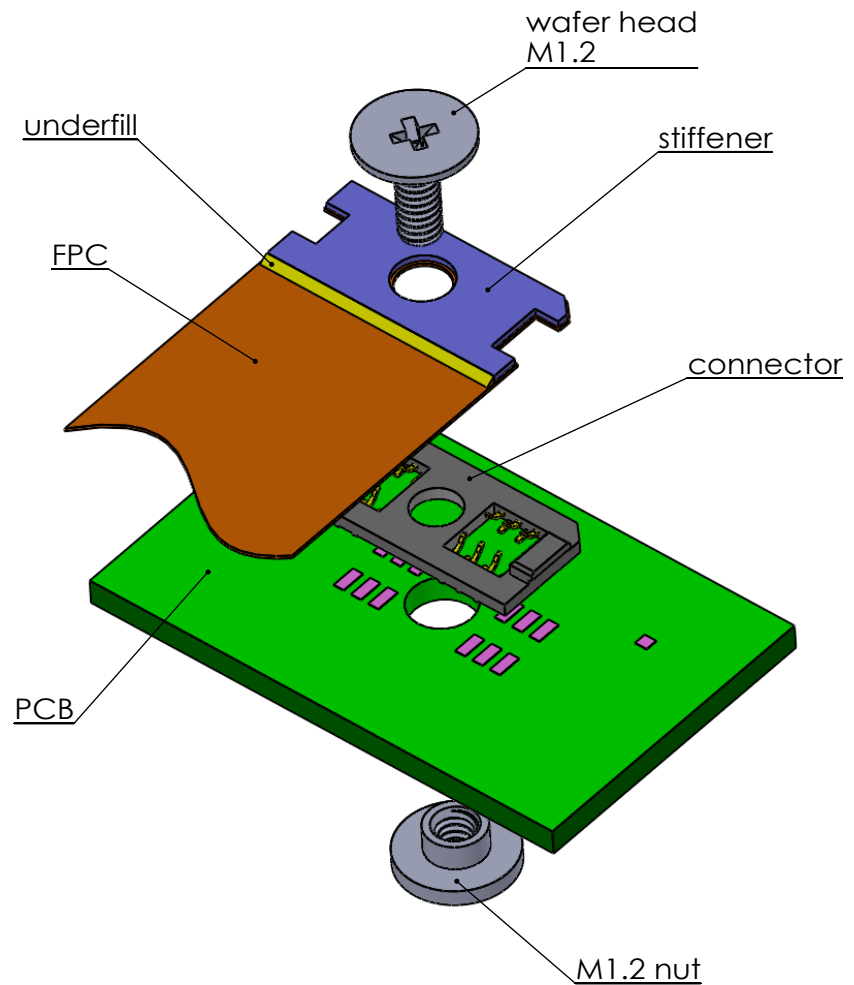
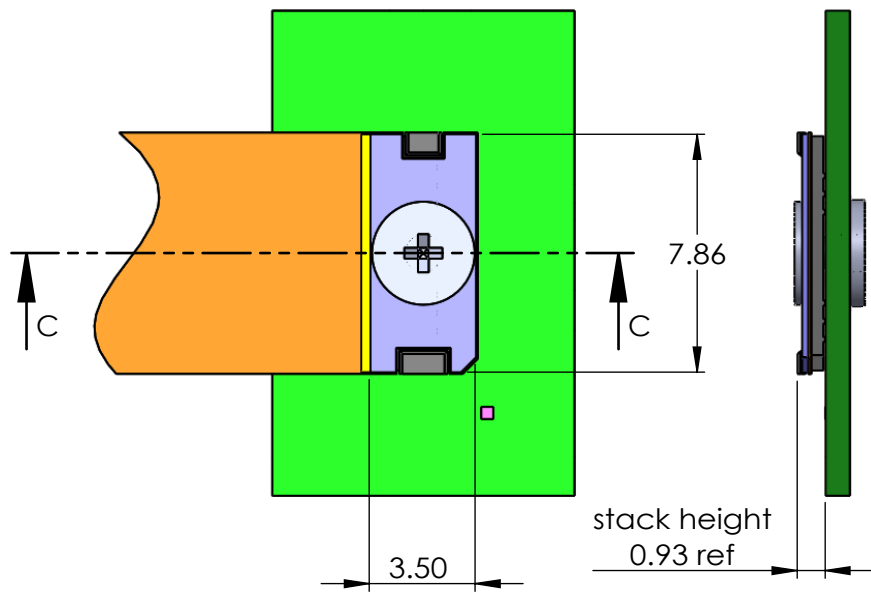
DIMENSIONS ARE IN mm  
TOLERANCES (unless otherwise specified):

ANGULAR: ± 2 degree  
 LINEAR: .X ±0.15  
 .XX ±0.08  
 .XXX ±0.04

聯能科技 Unimicron Group

Title:  
12 pos X-Beam interposer  
(0.6 mm pitch, M1.2 screw)

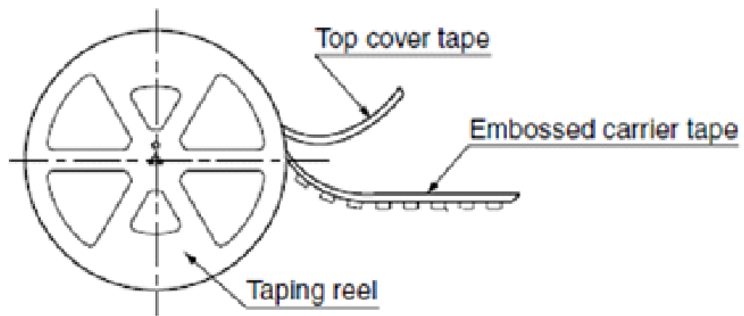
SIZE	<b>A</b>	DWG. NO. XBGCAA001	REV. 6
SCALE:5:1		WEIGHT:	SHEET 4 OF 6



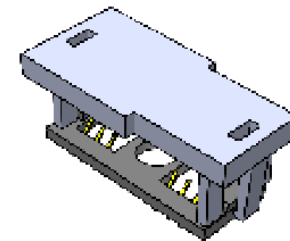
聯能科技 Unimicron Group

Title:  
12 pos X-Beam interposer  
(0.6 mm pitch, M1.2 screw)

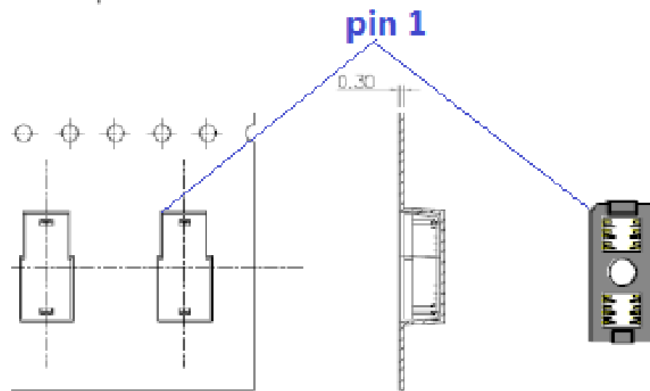
SIZE	<b>A</b>	DWG. NO.	XBGCAA001	REV.	6
SCALE:5:1		WEIGHT:		SHEET 5 OF 6	



SMT

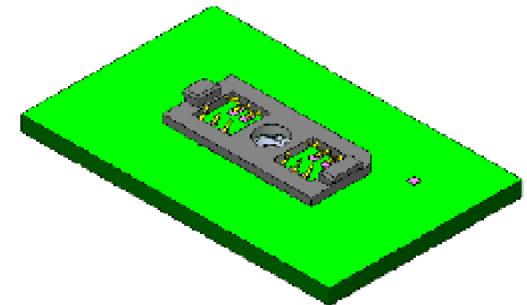


Connector with cap



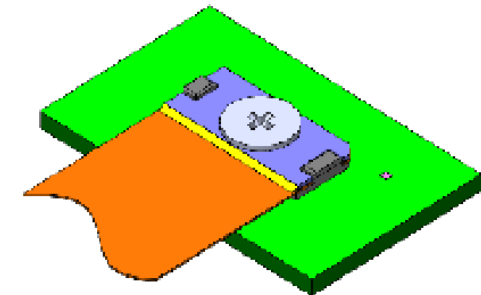
connector without cap

Remove cap  
before FPC  
assy



- Tape & reel or tray package for auto-SMT process on board.

Place FPC &  
screw lock



## package and assembly process

聯能科技 Unimicron Group

Title:  
12 pos X-Beam interposer  
(0.6 mm pitch, M1.2 screw)

SIZE **A**

DWG. NO. XBGCAA001

REV.  
6

SCALE:5:1

WEIGHT:

SHEET 6 OF 6