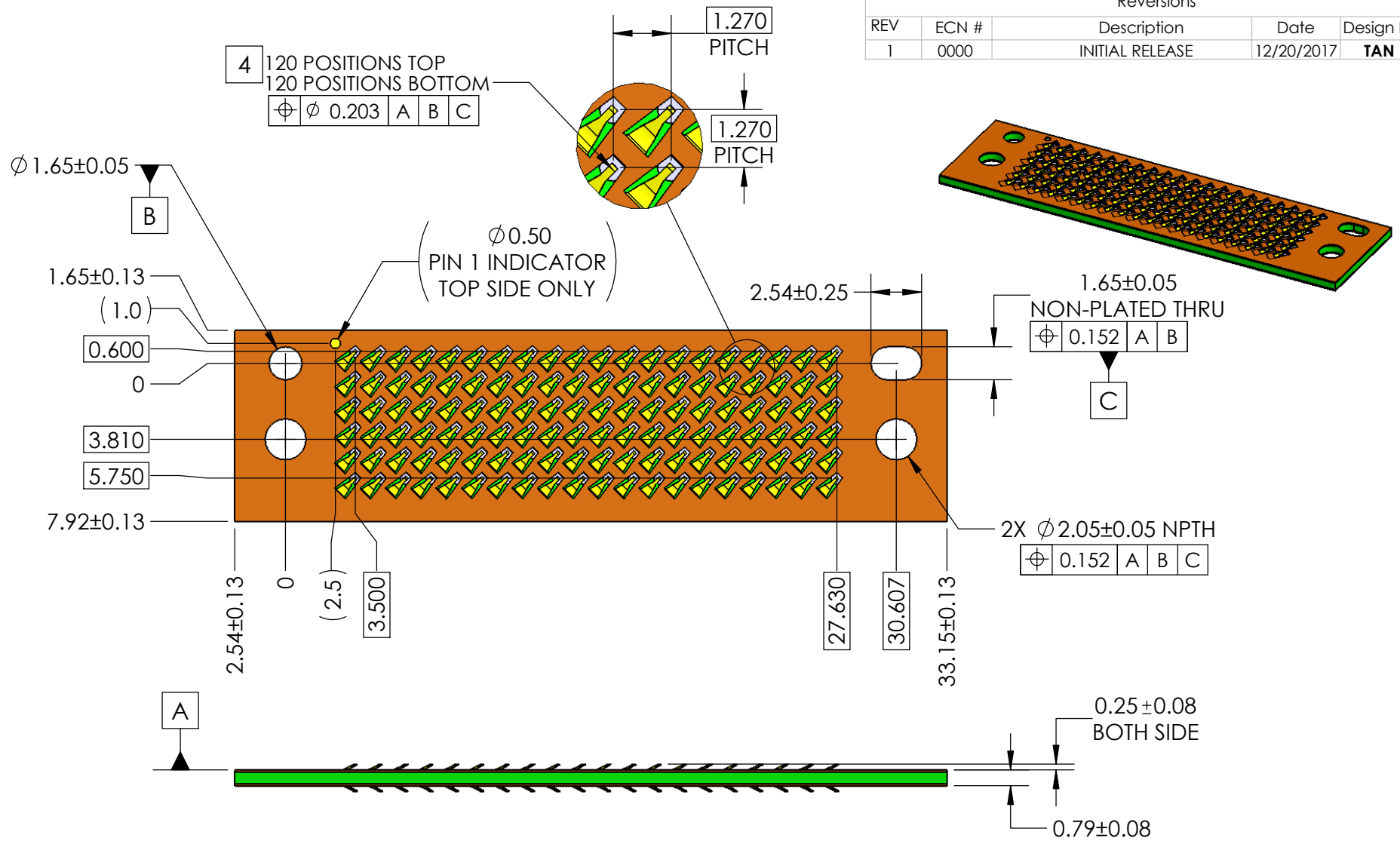


Reversions

REV	ECN #	Description	Date	Design By
1	0000	INITIAL RELEASE	12/20/2017	TAN



Notes:

1. DRAWING INTERPRETED PER ASME Y14.5-94.
2. DIMENSIONS ARE SYMMETRICAL TO CENTER LINES.
3. CONTACT PLATING: Ni/Au.
- 4 CONTACT BEAM POSITION ARE AT COMPRESSED STAGE.

DIMENSIONS ARE IN mm  
TOLERANCES (unless otherwise specified):

ANGULAR:  $\pm 2$  degree  
LINEAR: .X  $\pm 0.13$   
.XX  $\pm 0.08$   
.XXX  $\pm 0.025$

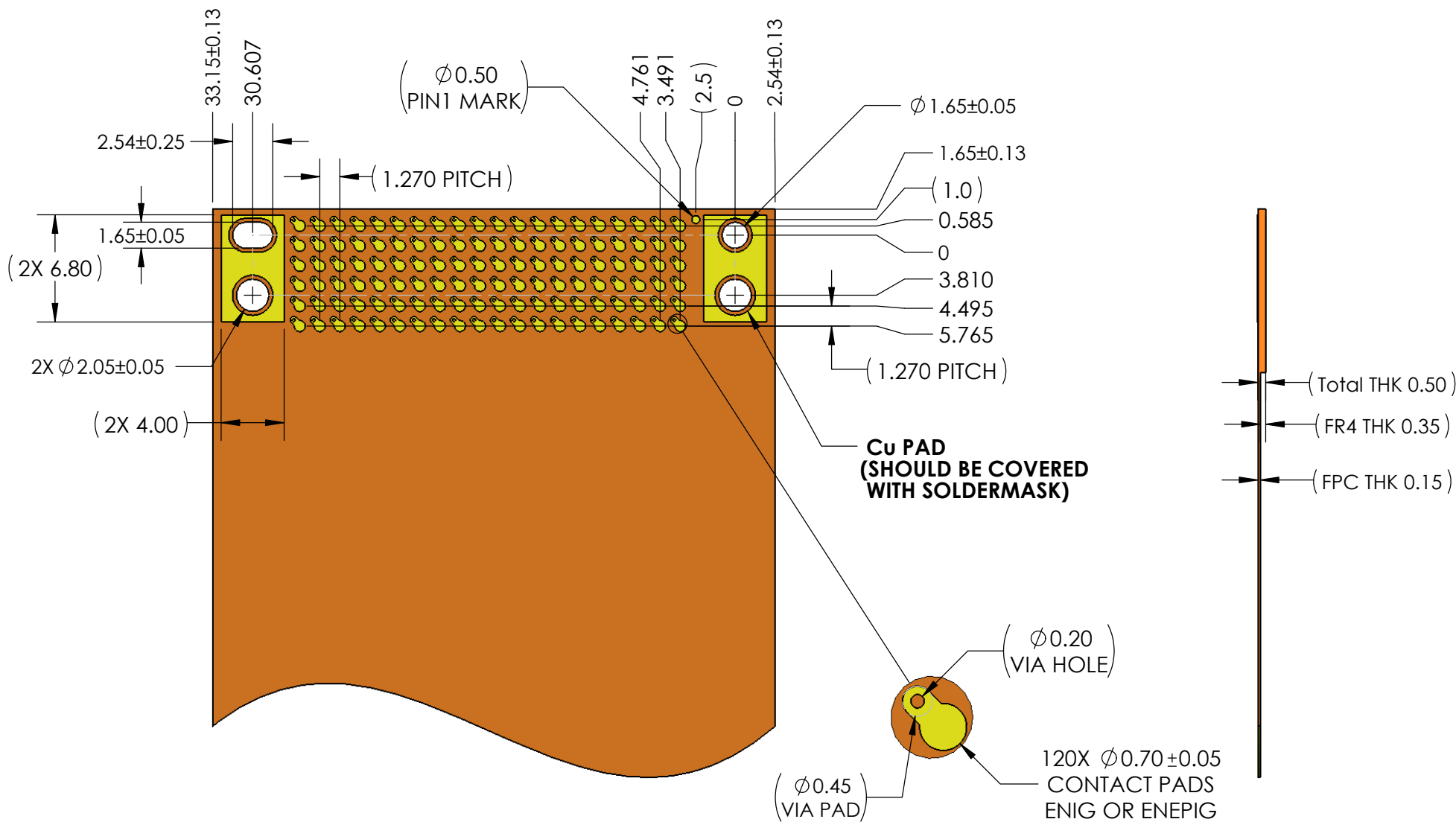
DESIGN BY	NAME	DATE
TAN NGUYEN		12/20/2017
CHECKED		
Appr		
Release level	PRE-RELEASE	
COMMENTS:	projection	
DO NOT SCALE DRAWING		

4020 Moorpark Ave.  
 Suite 108.  
 San Jose, CA, 95117

Title:  
**INTERPOSER 1.27MM PITCH  
120 POSITIONS LGA-LGA**

SIZE	DWG. NO.	REV
A	SPH2-MF120A	1
SCALE:2:1	WEIGHT:	SHEET 1 OF 6

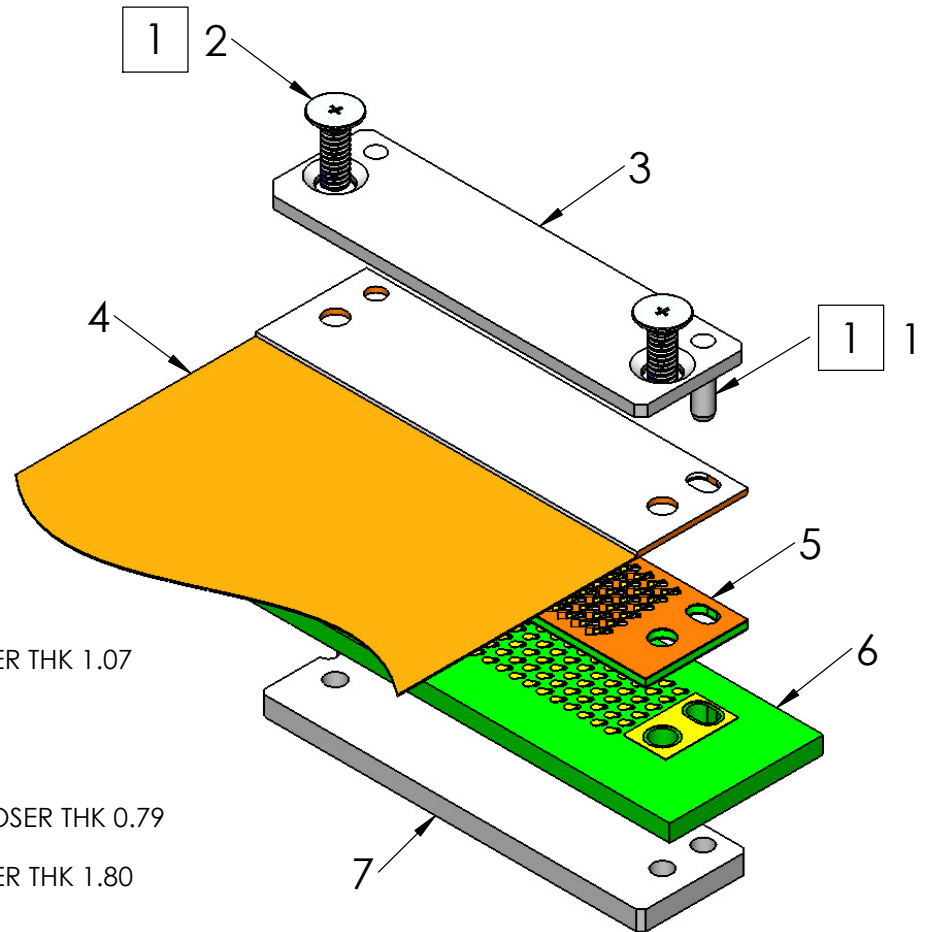
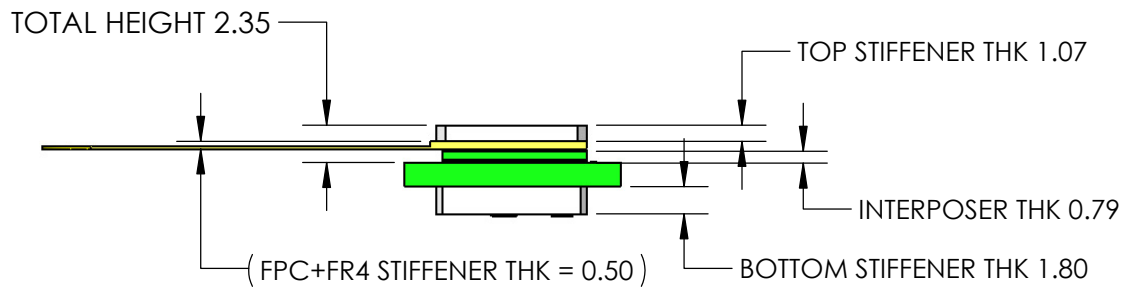
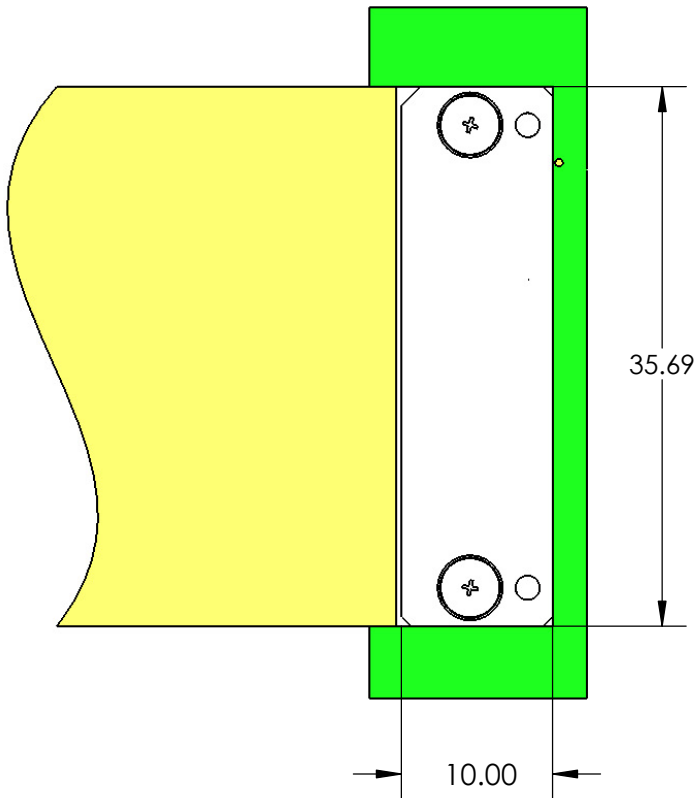




## RECOMMENDED FPC FOOTPRINT

SIZE	<b>A</b>	DWG. NO.	<b>SPH2-MF120A-FPC</b>	REV.	<b>1</b>
		SCALE:2:1	WEIGHT:		SHEET 3 OF 6

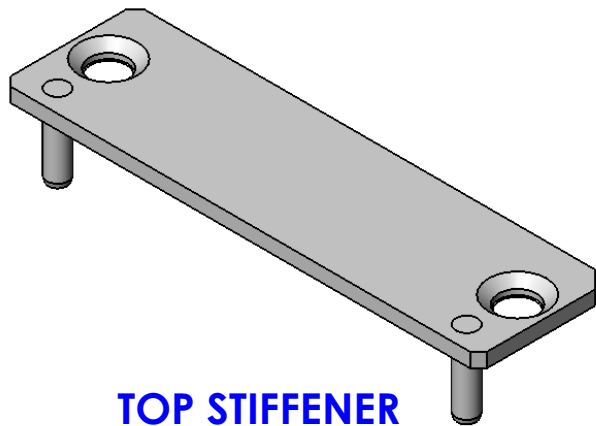
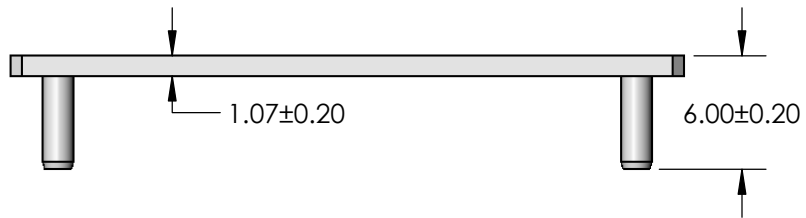
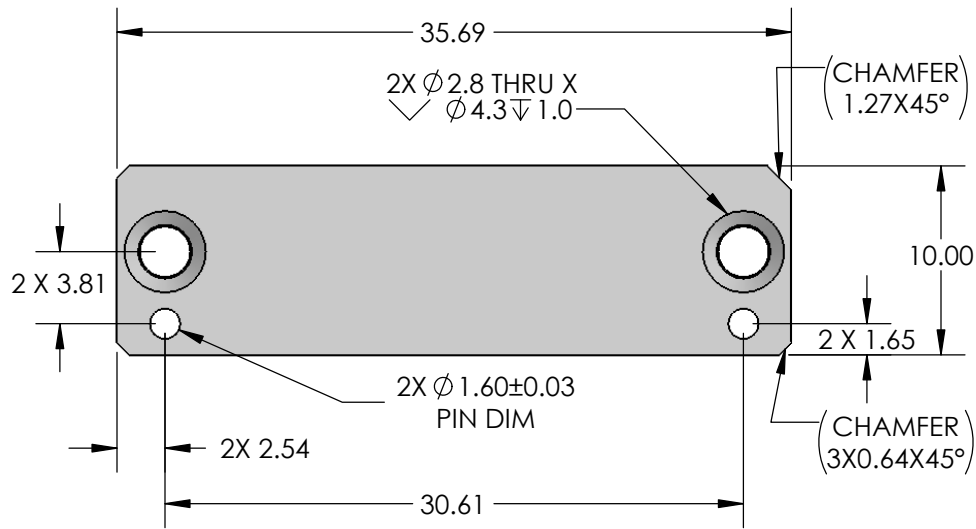
ITEM NO	Description	Default/QTY
1	Alignment PIN 1.6	2
2	M2.0 Screw	2
3	Top Stiffener	1
4	Flex	1
5	Interposer	1
6	PCB	1
7	Bottom Stiffener	1



NOTE:

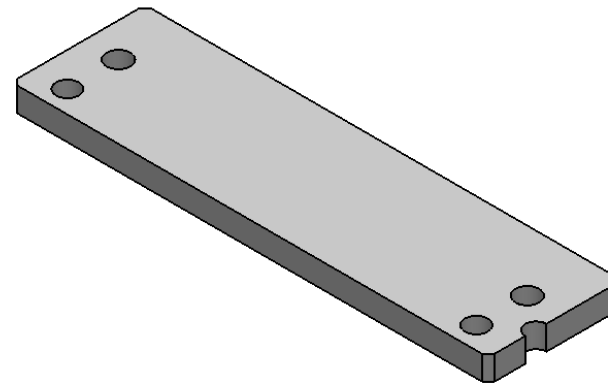
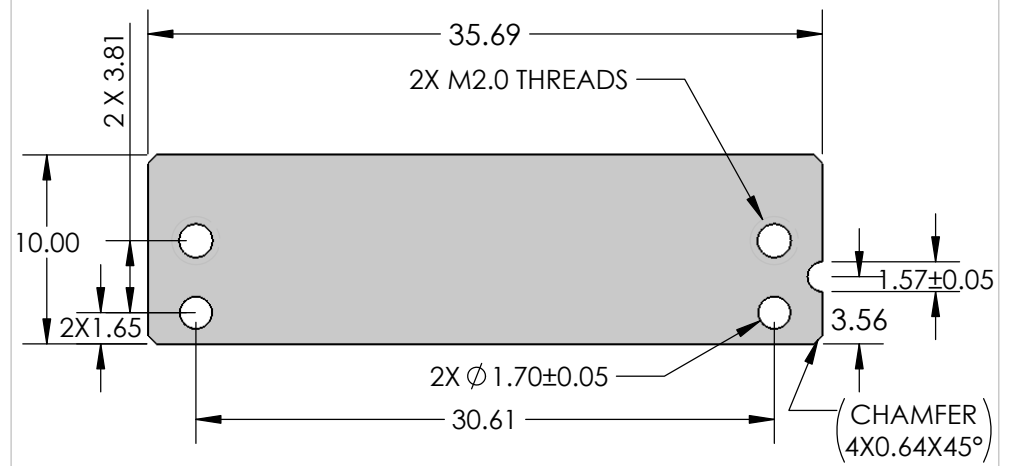
1 PIN / SCREW LENGTHS WILL DEPEND ON THE PCB THICKNESS.  
SEE APPLICATION SPEC. AS-000017 FOR PRODUCT AND HARDWARE REQUIREMENTS.

SIZE <b>A</b>	DWG. NO. <b>SPH2-MF120A-ASY</b>	REV <b>1</b>
SCALE:2:1	WEIGHT:	SHEET 4 OF 6



### TOP STIFFENER

P/N :B01-000624



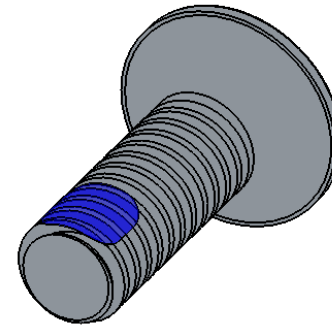
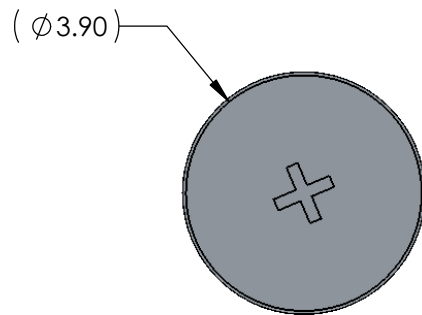
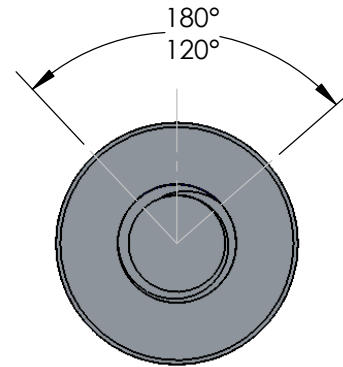
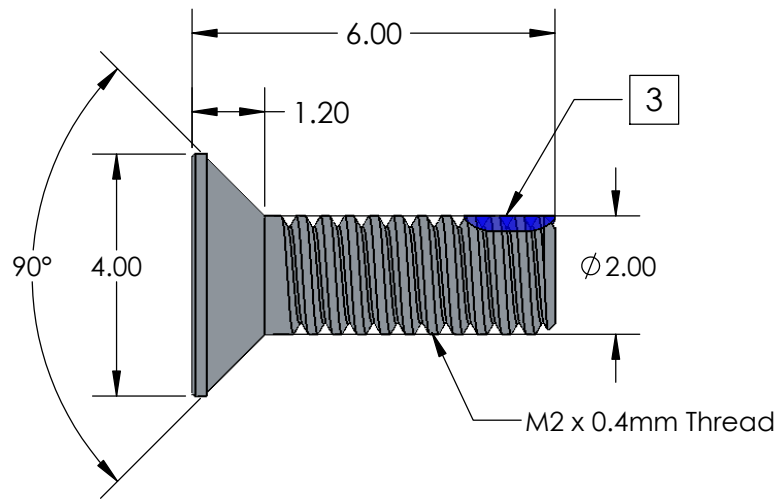
### BOTTOM STIFFENER

P/N:B01-000628

#### Notes:

1. MATERIAL: SS304 OR SS316

SIZE <b>A</b>	DWG. NO. SPH1-D120A-STF	REV. 1
SCALE:2:1	WEIGHT:	SHEET 5 OF 6



### Notes:

1. FINISH: BRIGHT NICKEL PER ASTM B689-97, TYPE 2, CLASS 5
2. MATERIAL: AISI 1018
3. THREADLOCK: NYLOK-BLUE, FIRST 4-6 WHOLE THREADS, 120°-180° COVERAGE.
4. SCREW FIT TOLERANCE DOES NOT INCLUDE THREADLOCK.
5. PART TO BE FREE OF BURRS AND SHARP EDGES.

SIZE <b>A</b>	DWG. NO. B01-000630-L060	REV. 1
SCALE:2:1	WEIGHT:	SHEET 6 OF 6