

X-Beam™ FPC Jumper Series (XFPC)

High Speed – High Power FPC link between PC Boards

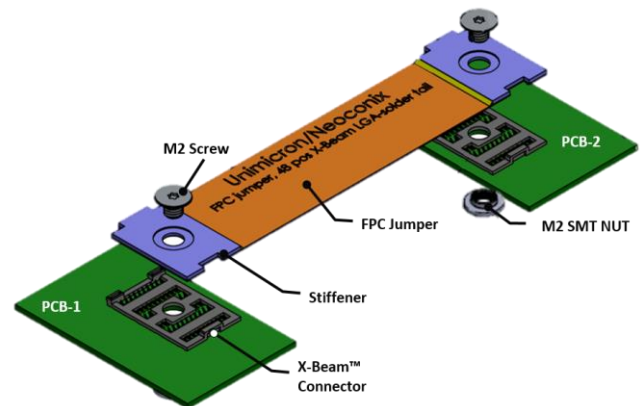


OVERVIEW

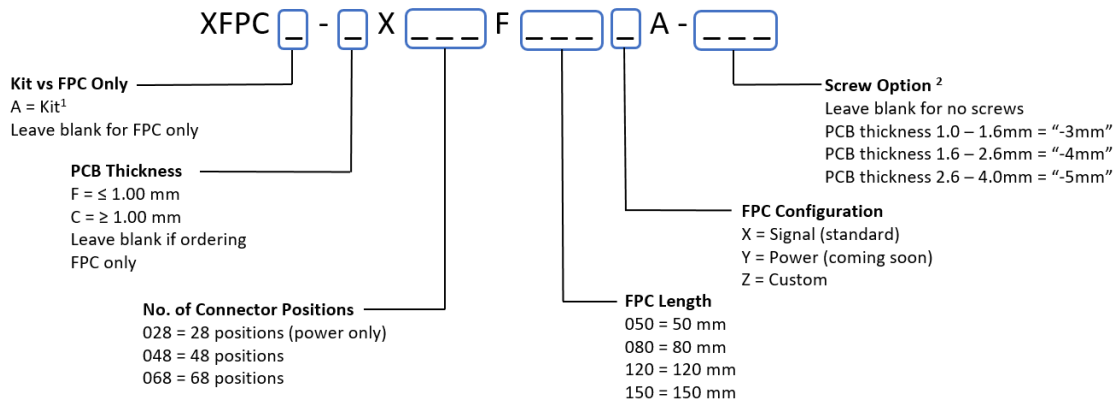
The X-Beam™ FPC Jumper solution provides a flexible electro-mechanical link between two circuit boards, utilizing an advanced flexible printed circuit (FPC) with an ultra-low profile 48 position connector on each end. The board connections are made with a surface mounted, ultra-low profile X-Beam™ Connector, which occupies minimal board space and offers outstanding reliability. A high-performance flex circuit maintains excellent signal integrity with the capability to carry more than 5A of current. The XFPC product series is part of the Neoconix FPCconnected family of FPC-connector assemblies.

FEATURES

- High Power FPC + Low Profile X-Beam™ Connector
- High Speed: up to 10Gbps
- High Current: up to 5A in standard configuration
- Standard lengths of 50mm, 80mm, 120mm, 150mm
- Impedance: $85 \pm 9\Omega$
- Highly Reliable, Screw-Down Connection to Mainboard
- Low Profile Mainboard Connection: 1.17mm
- Small Footprint to Mainboard: 11.25 x 7.48mm



STANDARD PRODUCT FAMILY



1. Standard Kit includes pair of X-Beam™ Connectors, FPC Jumper and two SMT nuts (screws are not included).
2. Kits may be ordered with screws by adding a “#mm” extension to the kit P/N. The “#” corresponds to the screw length (e.g. XFPCA-CX048F050XA-4mm)

Screw Part Number	Description	PCB Thickness (mm)
B01-000662	M2 x 0.25 mm pitch, 3mm Length	≤ 1.0
B01-000661	M2 x 0.40 mm pitch, 3mm Length	1.0 – 1.6
B01-000660	M2 x 0.40 mm pitch, 4 mm Length	1.6 – 2.6
B01-000659	M2 x 0.40 mm pitch, 5mm Length	2.6 – 4.0

FOR MORE INFORMATION

Neoconix, Inc., 4020 Moorpark Ave, #108., San Jose, CA 95117 Web: www.neoconix.com E: sales@neoconix.com P: 408.530.9393