

## X-Beam™ FPC Jumper Series (XFPC)

### High Speed – High Power FPC link between PC Boards

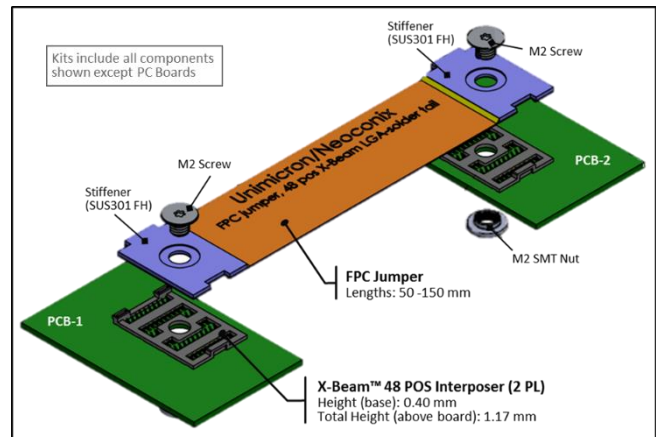


#### OVERVIEW

The X-Beam™ FPC Jumper solution provides a flexible electro-mechanical link between two circuit boards, utilizing an advanced flexible printed circuit (FPC) with an ultra-low profile 48 position connector on each end. The board connections are made with a surface mounted, ultra-low profile X-Beam™ Connector, which occupies minimal board space and offers outstanding reliability. A high-performance flex circuit maintains excellent signal integrity with the capability to carry more than 5A of current. The XFPC product series is part of the Neoconix FPCConnected family of FPC-connector assemblies.

#### FEATURES

- High Power FPC + Low Profile X-Beam Connector
- High Speed: up to 10Gbps
- High Current: up to 5A in standard configuration
- Standard lengths of 50mm, 80mm, 120mm, 150mm
- Impedance:  $85 \pm 9\Omega$
- Highly Reliable, Screw-Down Connection to Mainboard
- Low Profile Mainboard Connection: 1.17mm
- Small Footprint to Mainboard: 11.25 x 7.48mm



#### STANDARD PRODUCT FAMILY

Kit Part Number <sup>①</sup>	FPC Length (mm)	FPC Part Number	PCB Thickness	SMT Nut Part Number	Screw Part Number <sup>②</sup>
XFPCA-CX048F050XA	50	XFPC-X048F050XA	< 1.00 mm	B01-000633 M2, P:0.25mm	B01-000662 M2, L: 3.0mm
XFPCA-CX048F080XA	80	XFPC-X048F080XA			
XFPCA-CX048F120XA	120	XFPC-X048F120XA			
XFPCA-CX048F150XA	150	XFPC-X048F150XA			
XFPCA-FX048F050XA	50	XFPC-X048F050XA	> 1.00 mm	B01-000654 M2, P: 0.40mm	See Chart below
XFPCA-FX048F080XA	80	XFPC-X048F080XA			
XFPCA-FX048F120XA	120	XFPC-X048F120XA			
XFPCA-FX048F150XA	150	XFPC-X048F150XA			

1. Standard Kit includes pair of X-Beam Connectors, FPC Jumper, and two SMT nuts (screws are not included).
2. Kits may be ordered with screws by adding a "-#mm" extension to kit P/N. The "#" corresponds to the screw length (e.g. XFPCA-CX048F050XA-4mm).

Screw Part Number	Description	PCB Thickness (mm)
B01-000659	M2 x 0.40mm pitch, 5mm Length	2.6 - 4.0
B01-000660	M2 x 0.40mm pitch, 4mm Length	1.6 - 2.6
B01-000661	M2 x 0.40mm pitch, 3mm Length	1.0 - 1.6

#### FOR MORE INFORMATION

Neoconix, Inc., 2355-C Paragon Dr., San Jose, CA 95131. Web: [www.neoconix.com](http://www.neoconix.com) E: [sales@neoconix.com](mailto:sales@neoconix.com) P: 408.530.9393