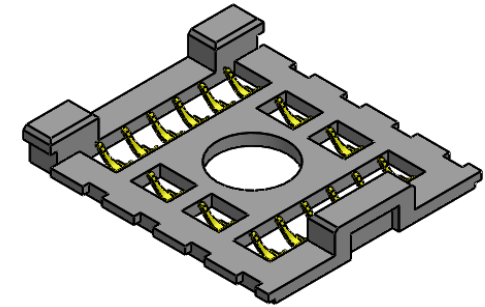
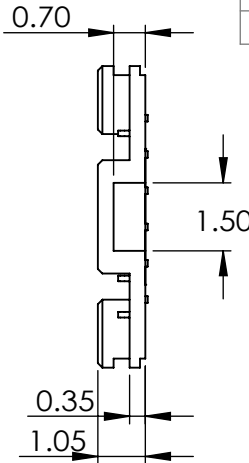
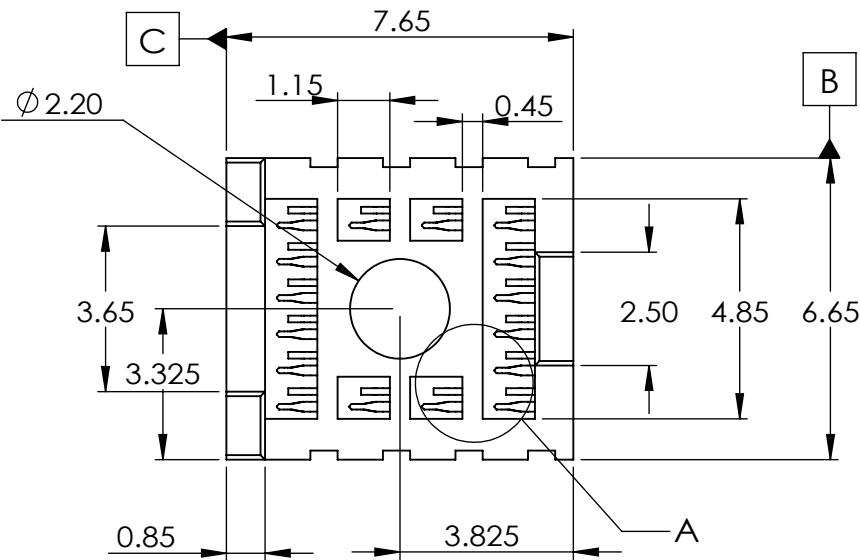
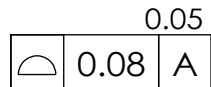
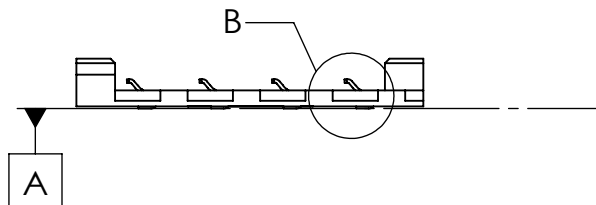


Reversions			
REV	ECN #	Description	Date
1			05/09-2014
2		Modify flange height from 0.2 to 0.18. Modify IMLA THK from 0.4 to 0.35.	06/26-2014
3		Modify screw hole & PCB layout	07/02-2014



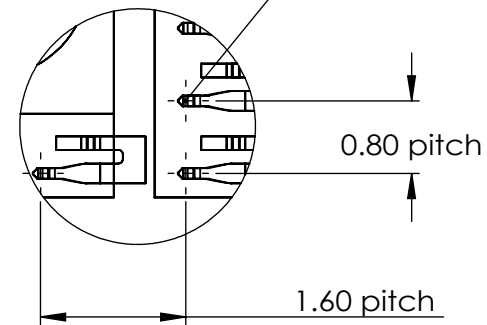
16 positions top
16 positions bottom

⊕	⊙	0.15	A	B	C
---	---	------	---	---	---



DETAIL B
SCALE 12 : 1

flange height
0.18±0.04



DETAIL A
SCALE 12 : 1

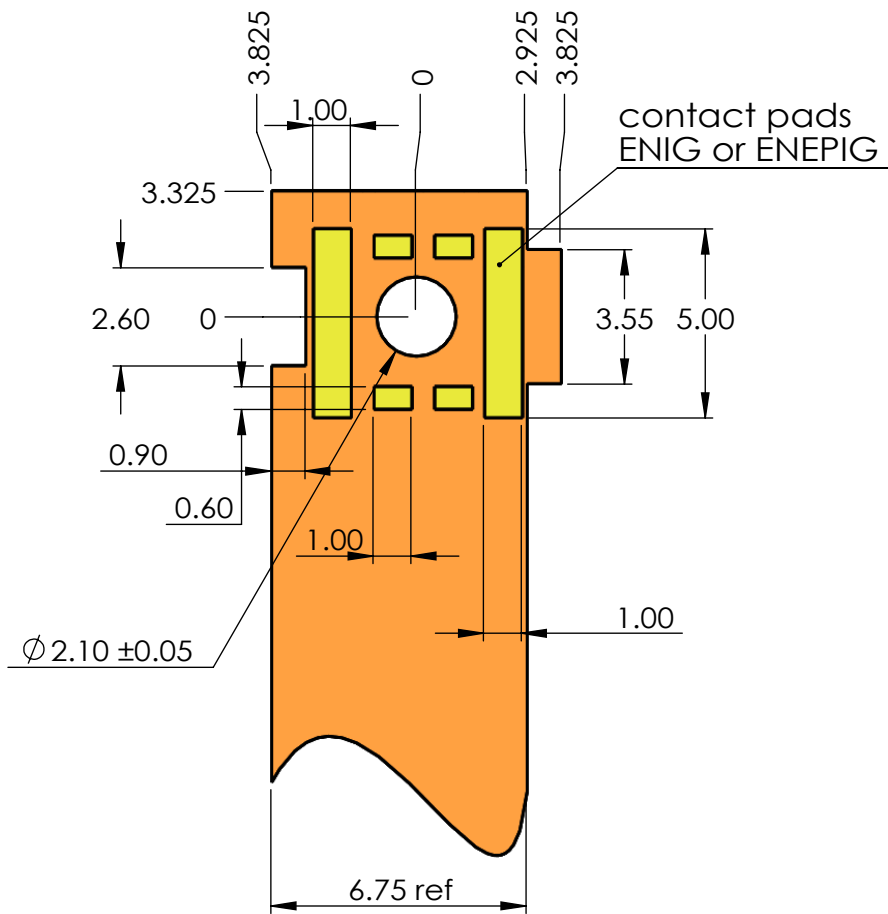
Notes:

- Material:
Contacts: High performance copper alloy
Housing: LCP resin, Glass fiber filled, UL94V-0 rated
Plating: Gold plated on contact tip, Tin or gold on soldertail area
- This product compliants with European Union directives of RoHS requirements.
- The product can withstand exposure peak temperature 260C for 10 sec in SMT soldering process.
- Recommended stencil thickness no thinner than 0.12mm.

DIMENSIONS ARE IN mm
TOLERANCES (unless otherwise specified):

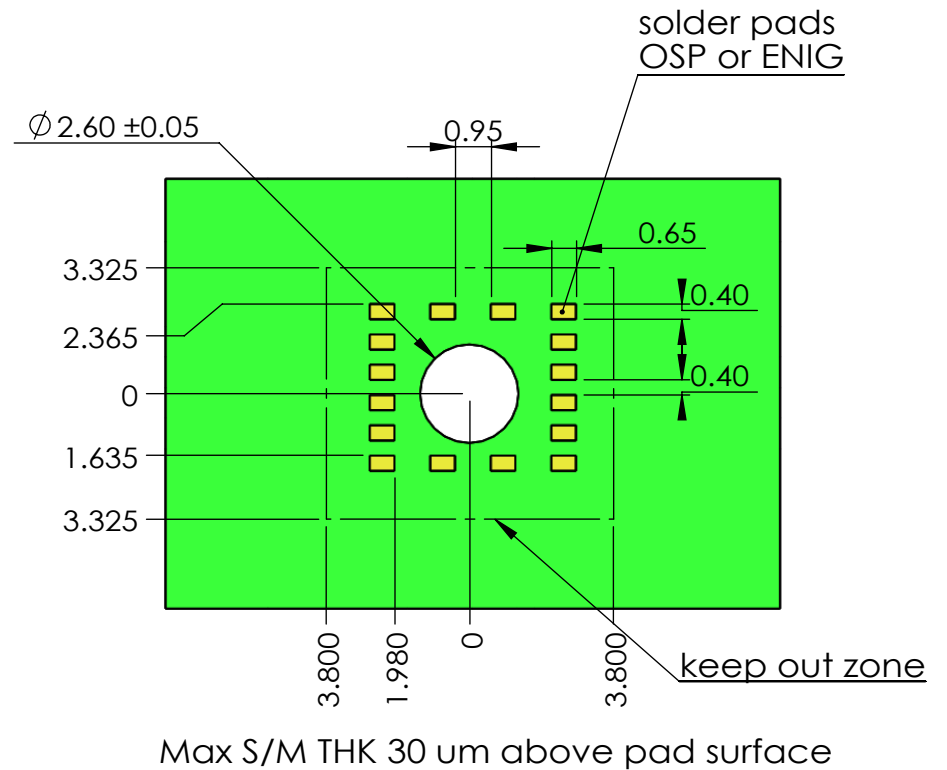
ANGULAR: ± 2 degree
LINEAR: .X ±0.15
.XX ±0.10
.XXX ±0.05

MATERIAL See note 1	NAME	DATE	聯能科技 Unimicron Group		
	DRAWN	Edward Cheng			
	CHECKED	Gary Hsieh	5/09/2014	Title: 16 pos power connector (0.8X1.6mm pitch)	
	Appr	Gary Hsieh	date		
FINISH	COMMENTS: DO NOT SCALE DRAWING	projection 	SIZE A	DWG. NO. 02GCB5002A	REV. 3
		SCALE:5:1	WEIGHT:	SHEET 1 OF 4	



0.5 ounce copper x 2 layer
for power application

Recommend FPC footprint



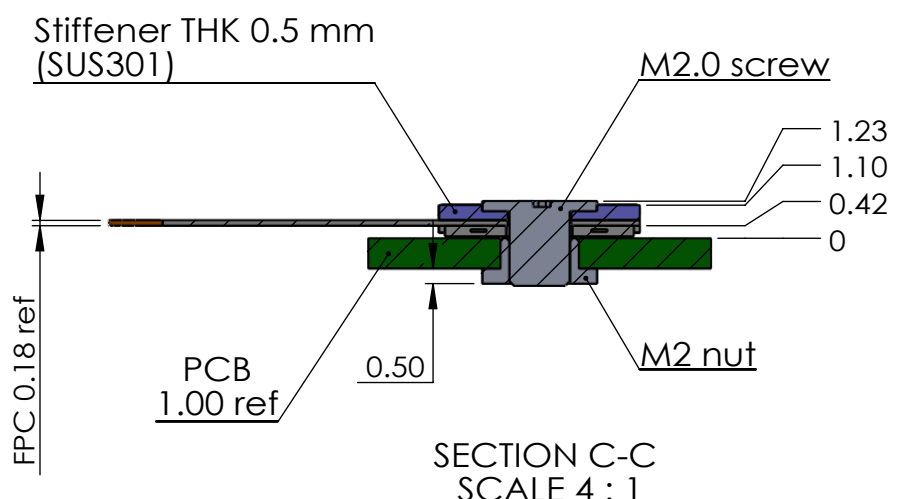
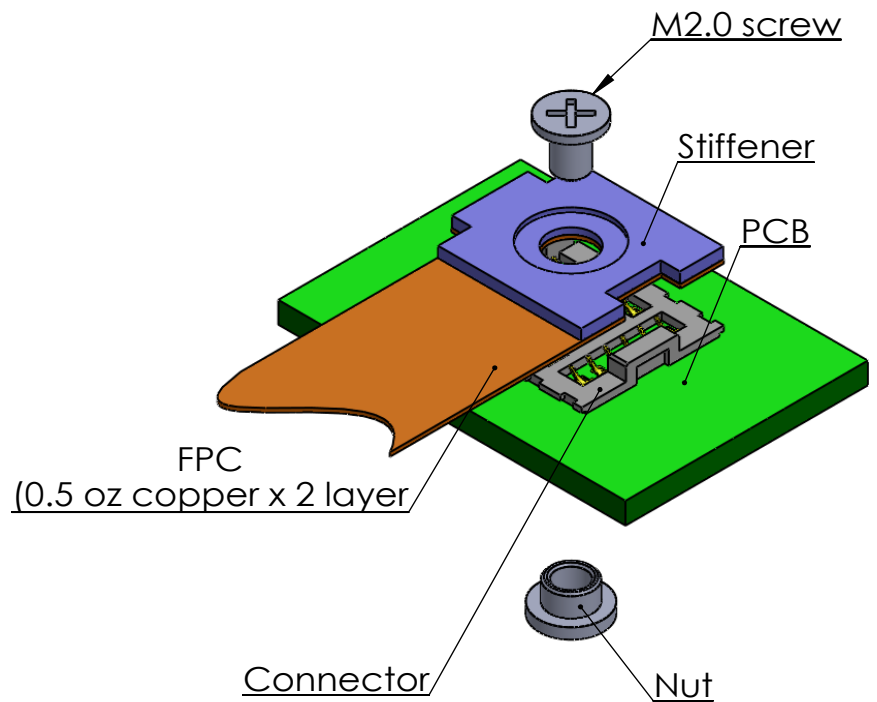
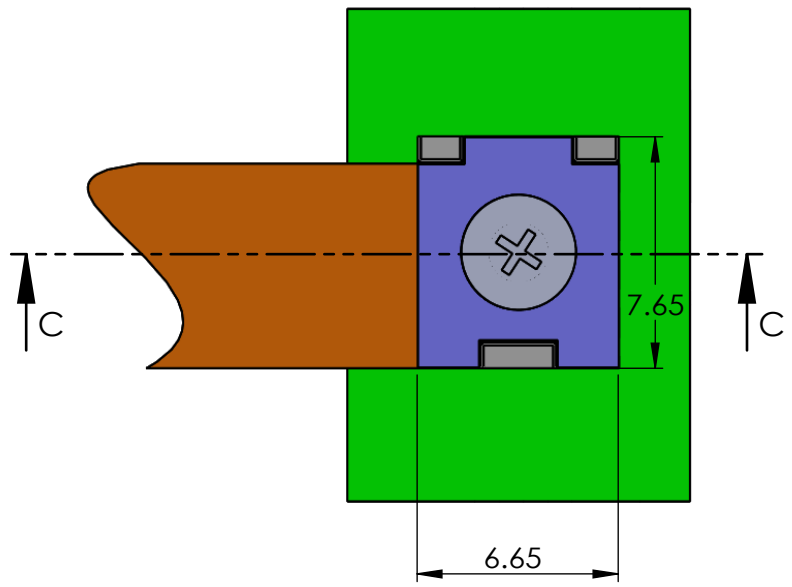
Max S/M THK 30 um above pad surface

Recommend PCB footprint

聯能科技 Unimicron Group

Title:
16 pos power connector
(0.8X1.6mm pitch)

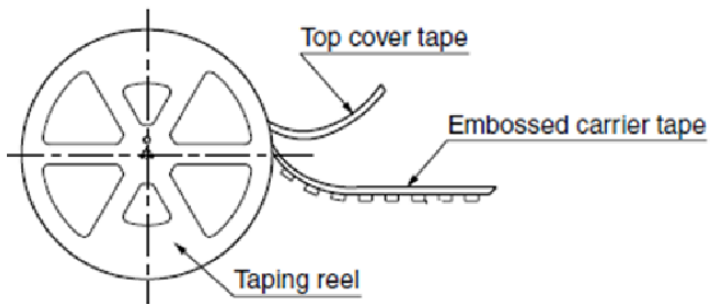
SIZE	A	DWG. NO. 02GCB5002A	REV. 3
SCALE: 5:1		WEIGHT:	SHEET 2 OF 4



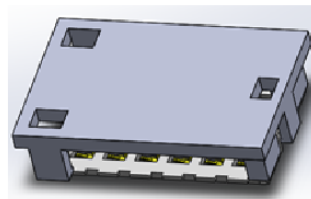
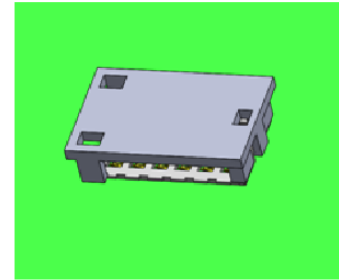
聯能科技 Unimicron Group

Title:
16 pos power connector
(0.8X1.6mm pitch)

SIZE	A	DWG. NO. 02GCB5002A	REV. 3
SCALE: 4:1		WEIGHT:	SHEET 3 OF 4

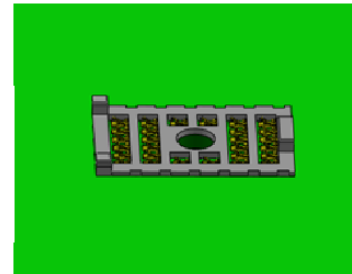


SMT

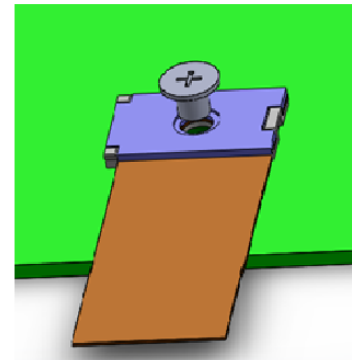


Connector with cap

Remove cap
before FPC
assy



Place FPC &
screw lock



- Tape & reel or tray package for auto-SMT process on board.

package and assembly process

聯能科技 Unimicron Group

Title:
16 pos power connector
(0.8X1.6mm pitch)

SIZE	A	DWG. NO. 02GCB5002A	REV. 3
SCALE:5:1		WEIGHT:	SHEET 4 OF 4